

SQUARE STEEL POLE STRAIGHT



SPECIFICATIONS:

Pole Shaft – The pole shaft is fabricated from hot rolled steel tubing of one-piece construction with a minimum yield strength of 55,000 psi and conforms to ASTM-A500 Grade B.

Pole Top – A removable spring loaded polycarbonate pole cap is provided for poles receiving drilling patterns for side-mount luminaire arm assemblies. For top-mount luminaires, please refer to accessory list for mounting arm options.

Handhole – A reinforced handhole is provided at 18” from the base end of the pole assembly. Each handhole includes a cover and attachment hardware. All pole assemblies are provided with a 3.00” wide x 5.00” high rectangular handhole.

Base Cover (sold separately) – A two-piece square removable base cover fabricated from steel is provided with each pole assembly. It conforms to ASTM Grade B with a minimum yield strength of 55,000 psi, with powder coating.

Anchor Bolts (sold separately) – Conform to ASTM F1554 Grade 55 with a minimum yield strength of 55,000 psi. Each set comes with (4) anchor bolts, and each bolt comes with (2) hex nuts and (2) flat washers. Bolts have an “L” bend on one end and are galvanized a minimum of 12” on the threaded end.

Grounding – M6 threaded stud welded to inner shaft wall on the opposite side of the handhole. Flat washer and hex nut provided.

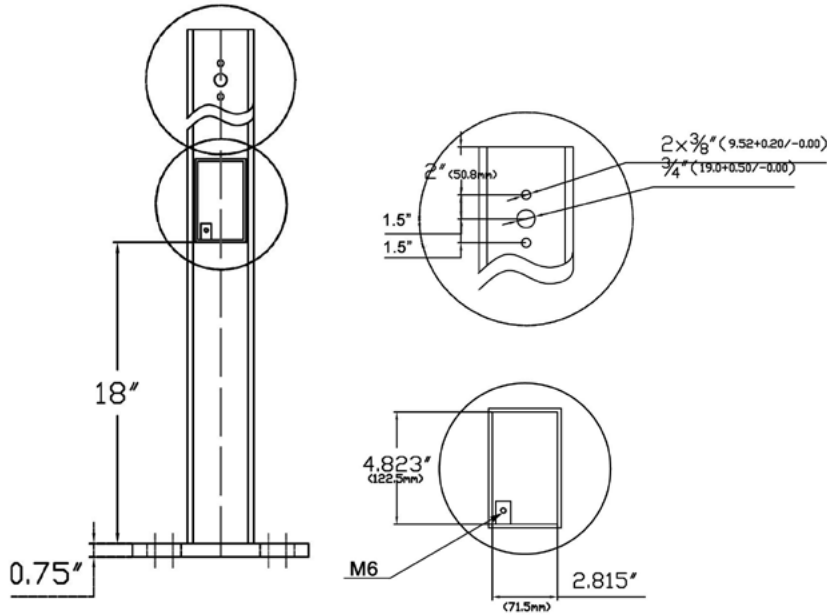
Finish – Each pole is primer painted and surface painted on sandblasted surface and baked at 400°F to ensure maximum paint adhesion, an extremely smooth and uniform finish, and durability to withstand extreme weather conditions without cracking or peeling with a five-year limited warranty. Additional inner coating available upon request, featuring five-year warranty. Consult factory for pricing and leadtimes.

MODEL SELECTION		Typical order example: PL-SQ12S-B				
FAMILY	SUB-FAMILY	SIZE	MATERIAL	COLOR	-KIT	
PL= Pole	SQ= Square	12= 12 ft 20= 20 ft 25= 25 ft *30= 30 ft	S= Steel	B= Bronze W= White L= Black	-KIT= Pole, Base Plate, Anchor Bolts (BLANK)= Pole Only	

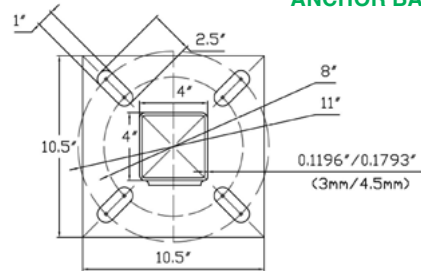
*30 ft in black & white are Made-to-order.
Please contact your MaxLite representative for quantities and lead times.

DIMENSIONS:

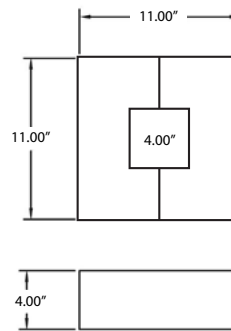
4"x4"



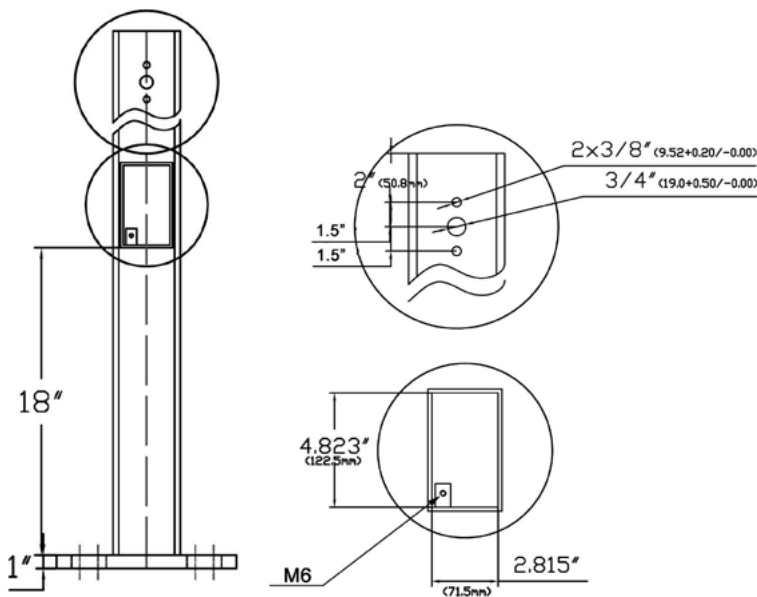
ANCHOR BASE DETAIL



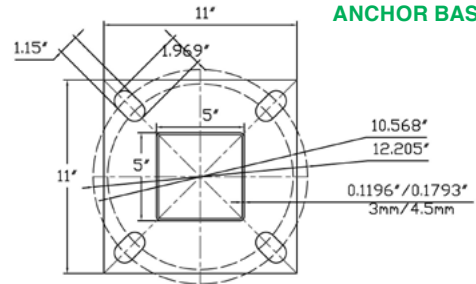
**BASE COVER, STANDARD
(SOLD SEPARATELY)**



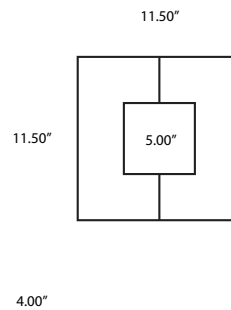
5"x5"



ANCHOR BASE DETAIL



**BASE COVER, STANDARD
(SOLD SEPARATELY)**



ANCHORAGE DATA:

POLE		BASE PLATE & COVER (SOLD SEPARATELY)			ANCHOR BOLTS (SOLD SEPARATELY)			
SHAFT OUTSIDE DIMENSIONS (IN)	WALL THICKNESS (GA)	BASE PLATE DIMENSIONS (IN)	BASE COVER DIMENSIONS (IN)	BOLT CIRCLE DIAMETER (IN)	SHAFT OUTSIDE DIMENSIONS (IN)	WALL THICKNESS (GA)	POLE HEIGHT	ANCHOR BOLTS (SOLD SEPARATELY)
4" X 4"	11	10.5" SQ. X 0.75" THK.	11" SQ. X 4" THK.	8"~11"	4" X 4"	11GA	12FT	3/4" X 17"
					4" X 4"	11GA	20FT	3/4" X 30"
					4" X 4"	11GA	25FT	3/4" X 30"
5" X 5"	7	11.0" SQ. X 1.00" THK.	11.5" SQ. X 4" THK.	11"~12"	5" X 5"	7GA	30FT	1" X 36"

ANCHOR BOLTS:

COMPATIBILITY	ITEM NUMBER	DESCRIPTION
4" X 4", 12 FT HEIGHT	PL-JB17	J-BOLT, 3/4"X17"X3", INCLUDING 2PCS OF WASHERS, NUTS & SPRING WASHERS, 4PCS AS A SET, COMPATIBLE WITH 12 FT POLES
4" X 4", 20 FT HEIGHT	PL-JB30	J-BOLT, 3/4"X30"X4", INCLUDING 2PCS OF WASHERS, NUTS & SPRING WASHERS, 4PCS AS A SET, COMPATIBLE WITH 20 FT AND 25 FT POLES
4" X 4", 25 FT HEIGHT	PL-JB36	J-BOLT, 3/4"X30"X4", INCLUDING 2PCS OF WASHERS, NUTS & SPRING WASHERS, 4PCS AS A SET, COMPATIBLE WITH 20 FT AND 25 FT POLES
5" X 5", 30FT HEIGHT	PL-JB36	J-BOLT, 1"X36"X4", INCLUDING 2PCS OF WASHERS, NUTS & SPRING WASHERS, 4PCS AS A SET, COMPATIBLE WITH 30 FT POLES

BASE PLATE COVER:

COMPATIBILITY	FINISH	ITEM NUMBER	DESCRIPTION
4" X 4" SQUARE POLE	BRONZE, BLACK, WHITE	PL-SQBP4-X	BASE PLATE COVER FOR 4" X 4" SQUARE POLES, 2 PC SET
5" X 5" SQUARE POLE	BRONZE, BLACK, WHITE	PL-SQBP5-X	BASE PLATE COVER FOR 5" X 5" SQUARE POLES, 2 PC SET

NOTES: X=Color; B=Bronze, L=Black, W=White

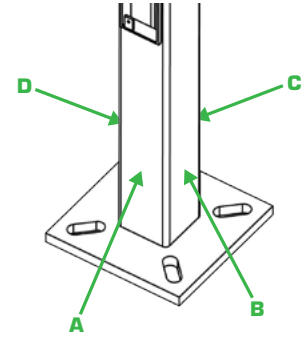
POLE SELECTION CHART:

POLE HEIGHT	70 MPH		80 MPH		90 MPH		100 MPH		110 MPH	
	EPA (AT POLE TOP)	MAX. LOAD (INCLUDES BRACKET)	EPA (AT POLE TOP)	MAX. LOAD (INCLUDES BRACKET)	EPA (AT POLE TOP)	MAX. LOAD (INCLUDES BRACKET)	EPA (AT POLE TOP)	MAX. LOAD (INCLUDES BRACKET)	EPA (AT POLE TOP)	MAX. LOAD (INCLUDES BRACKET)
12 FT	26.1 FT ²	750 LBS	24.4 FT ²	610 LBS	18.8 FT ²	470 LBS	14.8 FT ²	370 LBS	11.2 FT ²	280 LBS
20 FT	11.9 FT ²	275 LBS	9.6 FT ²	240 LBS	6.7 FT ²	167 LBS	4.5 FT ²	150 LBS	3.1 FT ²	126 LBS
25 FT	6.3 FT ²	201 LBS	4.8 FT ²	150 LBS	2.6 FT ²	100 LBS	1.0 FT ²	50 LBS	0.6 FT ²	24 LBS
30 FT	12.9 FT ²	292 LBS	10.7 FT ²	267 LBS	6.7 FT ²	167 LBS	3.9 FT ²	100 LBS	1.7 FT ²	75 LBS

NOTES: EPAs are calculated using base wind velocity as indicated plus 30% gust factor

SHIPPING WEIGHT TABLE:

POLE TYPE	APPROX. WEIGHT/FT
4" sq. - 11ga	7.55 lbs/ft
5" sq. - 7ga	13.50 lbs/ft

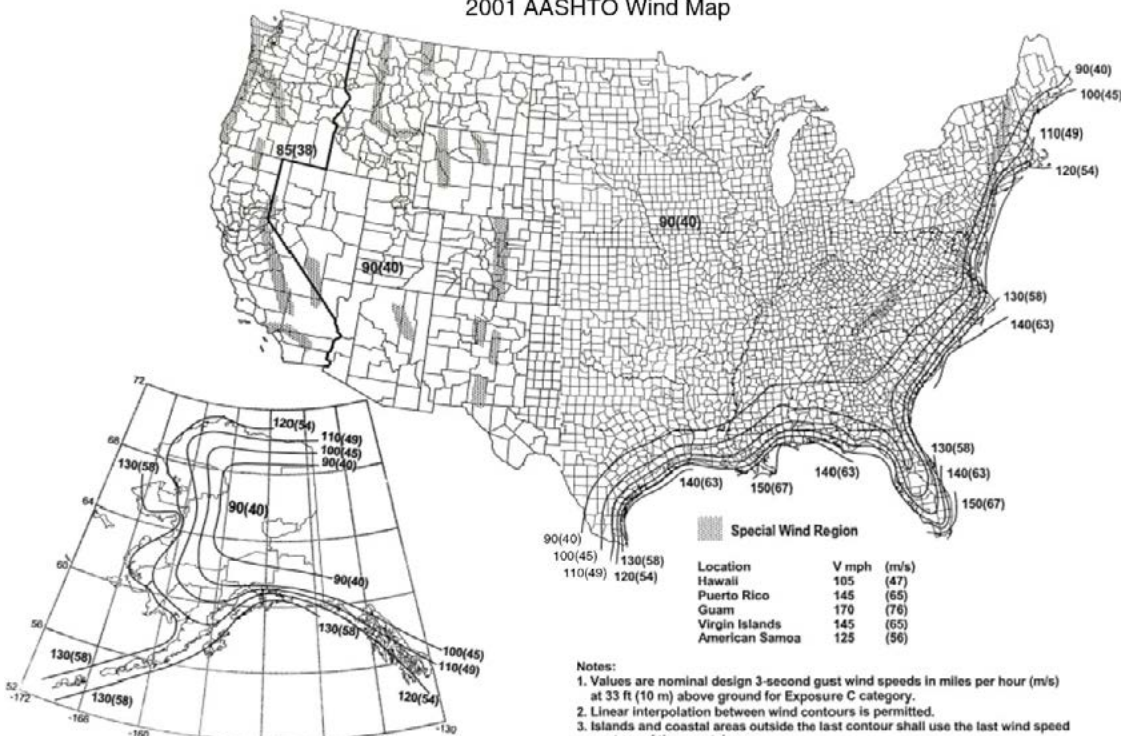


DETAILING LOCATIONS:

DRILLING LOCATION	A-SIDE	B-SIDE	C-SIDE	D-SIDE
HANDHOLE	X			
D1 – (1) DRILLING LOCATION				X
D2.180 – (2) DRILLING LOCATIONS ON OPPOSITE SIDE		X		X
D2.90 – (2) DRILLING LOCATIONS PERPENDICULAR/SIDE-BY-SIDE		X	X	
D3 – (3) DRILLING LOCATIONS		X	X	X
D4 – (4) DRILLING LOCATIONS	X	X	X	X

WIND SPEED MAP:

2001 AASHTO Wind Map



NOTE:
This map is based on the 2001 AASHTO code requirements and is intended as a general guideline only. Local engineering standards should be consulted to determine the exact wind loading conditions for your applications.




- Notes:
1. Values are nominal design 3-second gust wind speeds in miles per hour (m/s) at 33 ft (10 m) above ground for Exposure C category.
 2. Linear interpolation between wind contours is permitted.
 3. Islands and coastal areas outside the last contour shall use the last wind speed contour of the coastal area.
 4. Mountainous terrain, gorges, ocean promontories, and special wind regions shall be examined for unusual wind conditions.

ROUND STEEL POLE KITS		
MODEL	ORDER CODE	DESCRIPTION
PL-SQ12S-B-KIT	1408234	KIT:Square Steel Pole, 12ft, 11ga, 4" OD, Bronze;BASE PLATE COVER, BRONZE;AND3/4"X17"X3" ANCHOR BOLTS, INCLUDING WASHERS, NUTS & SPRING WASHERS
PL-SQ12S-L-KIT	1408235	KIT:Square Steel Pole, 12ft, 11ga, 4" OD, Black;BASE PLATE COVER, BLACK;AND3/4"X17"X3" ANCHOR BOLTS, INCLUDING WASHERS, NUTS & SPRING WASHERS
PL-SQ12S-W-KIT	1408236	KIT:Square Steel Pole, 12ft, 11ga, 4" OD, White;BASE PLATE COVER, WHITE;AND3/4"X17"X3" ANCHOR BOLTS, INCLUDING WASHERS, NUTS & SPRING WASHERS
PL-SQ20S-B-KIT	1408237	KIT:Square Steel Pole, 20ft, 11ga, 4" OD, Bronze;BASE PLATE COVER, BRONZE;AND3/4"X30"X4" ANCHOR BOLTS, INCLUDING WASHERS, NUTS & SPRING WASHERS
PL-SQ20S-L-KIT	1408238	KIT:Square Steel Pole, 20ft, 11ga, 4" OD, Black;BASE PLATE COVER, BLACK;AND3/4"X30"X4" ANCHOR BOLTS, INCLUDING WASHERS, NUTS & SPRING WASHERS
PL-SQ20S-W-KIT	1408239	KIT:Square Steel Pole, 20ft, 11ga, 4" OD, White;BASE PLATE COVER, WHITE;AND3/4"X30"X4" ANCHOR BOLTS, INCLUDING WASHERS, NUTS & SPRING WASHERS
PL-SQ25S-B-KIT	1408240	KIT:Square Steel Pole, 25ft, 11ga, 4" OD, Bronze;BASE PLATE COVER, BRONZE;AND3/4"X30"X4" ANCHOR BOLTS, INCLUDING WASHERS, NUTS & SPRING WASHERS
PL-SQ25S-L-KIT	1408241	KIT:Square Steel Pole, 25ft, 11ga, 4" OD, Black;BASE PLATE COVER, BLACK;AND3/4"X30"X4" ANCHOR BOLTS, INCLUDING WASHERS, NUTS & SPRING WASHERS
PL-SQ25S-W-KIT	1408242	KIT:Square Steel Pole, 25ft, 11ga, 4" OD, White;BASE PLATE COVER, WHITE;AND3/4"X30"X4" ANCHOR BOLTS, INCLUDING WASHERS, NUTS & SPRING WASHERS



POLES: ADAPTERS COMPATIBLE WITH 4" SQUARE POLES

IMAGE	ITEM #	ORDER CODE	DESCRIPTION
HORIZONTAL:			
	S4HT218BZ	72083	4" SQUARE HORIZONTAL TENON 2@180° BRONZE
HORIZONTAL:			
	S4HT290BZ	72084	4" SQUARE HORIZONTAL TENON 2@90° BRONZE
HORIZONTAL:			
	S4HT390BZ	72085	4" SQUARE HORIZONTAL TENON 3@90° BRONZE
HORIZONTAL:			
	S4HT490BZ	72117	4" SQUARE HORIZONTAL TENON 4@90° BRONZE
VERTICAL:			
	S4VT1S00BZ	72086	4" SQUARE VERTICAL TENON SINGLE BRONZE
VERTICAL:			
	TR3BZ	101677	TENNON REDUCER, 3" TO 2-3/8" HARDWARE INCLUDED

POLES: ADAPTERS COMPATIBLE WITH 4" SQUARE POLES (CONTINUED)

IMAGE	ITEM #	ORDER CODE	DESCRIPTION
VERTICAL:			
	S4VT2S18BZ	72087	4" SQUARE VERTICAL TENON 2@180° BRONZE
VERTICAL:			
	S4VT3S18BZ	72088	4" SQUARE VERTICAL TENON 3@180° BRONZE
VERTICAL:			
	S4VT4S90BZ	72090	4" SQUARE VERTICAL TENON 4@90° BRONZE

POLES: ADAPTERS COMPATIBLE WITH 5" SQUARE POLES

IMAGE	ITEM #	ORDER CODE	DESCRIPTION
VERTICAL:			
	S5VT1S00BZ	107144	5" SQUARE VERTICAL TENON SINGLE BRONZE
HORIZONTAL:			
	S5HT218BZ	73065	5" SQUARE HORIZONTAL TENON 2@180° BRONZE

POLES: ADAPTERS COMPATIBLE WITH 5" SQUARE POLES (CONTINUED)

IMAGE	ITEM #	ORDER CODE	DESCRIPTION
HORIZONTAL:			
	S5HT290BZ	73066	5" SQUARE HORIZONTAL TENON 2@90° BRONZE
HORIZONTAL:			
	S5HT390BZ	73067	5" SQUARE HORIZONTAL TENON 3@90° BRONZE
HORIZONTAL:			
	S5HT490BZ	73068	5" SQUARE HORIZONTAL TENON 4@90° BRONZE
VERTICAL:			
	S5VT2S18BZ	107145	5" SQUARE VERTICAL TENON 2@180° BRONZE
VERTICAL:			
	S5VT3S18BZ	107146	5" SQUARE VERTICAL TENON 3@180° BRONZE
VERTICAL:			
	S5VT4S90BZ	107147	5" SQUARE VERTICAL TENON 4@90° BRONZE