

PROJECT NAME: \_\_\_\_\_ CAT. #: \_\_\_\_\_  
 NOTES: \_\_\_\_\_ FIXTURE SCHEDULE: \_\_\_\_\_

## Rectangular Network BLE Nodes & Sensors

### c-Max Overview

c-Max Network lighting controls features a patent pending plug-and-play interface that allows for easy field installation of low voltage nodes and sensors to create an affordable luminaire lighting control solution. Sensors integrated with occupancy, daylight harvesting, and other control capabilities help achieve energy code compliance.

### Applications:

- Office
- Hospitals
- Schools
- Warehouses
- Industrial
- Retail

### Features

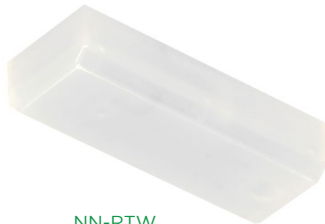
- Luminaire Level Lighting Control (LLLC) enabled with wireless bluetooth technology
- Simple "Plug-and-Play" Connection - Easy to install in the field with pre-installed USB-C receptacle in Maxlite Controls Ready luminaires.
- Easy Commissioning with c-Max App (Available in IOS and Android)
- Local Bluetooth Network with no gateway needed
- Choice of different devices based on your desired functionality: Occupancy and Daylight Harvesting on select models
- Individual Addressability and/or Grouping
- Multi-level dimming: Manual ON/OFF Automatic ON/OFF, and Automatic Partial ON/OFF control capability
- Ability to create scenes for more customized dimming scenarios
- Time clock scheduling for individual lights, groups, or scenes
- High-Trim/Tuning sets the maximum light level based on customer requirements in each space
- Includes locking screw (12mm) to resist vandalism and withstand vibration (Requires 2.5mm Allen wrench)
- Check <https://www.maxlite.com/cmax> for c-Max fixture compatibility
- 5 Year Warranty



NN-RTDHW



NN-RTPSW/NN-RTVSW



NN-RTW

### PIR Sensor Features

DAYLIGHT HARVESTING	ON/OFF
MOTION SENSING	ON/OFF
FIRST TIME DELAY	1-59 minutes/infinite
SECOND TIME DELAY	0-59 minutes/infinite
DIM LEVEL	1-100%
MOUNTING HEIGHT	8-20ft
DETECTION RANGE	Up to 20ft diameter
DETECTION HORIZONTAL PATTERN	360°
DETECTION VERTICAL PATTERN	90°

### Ordering Information

MODEL NUMBER	DESCRIPTION	UPC	ORDER CODE
NN-RTW	NETWORK NODE RECTANGULAR, WHITE	767627011924	105892
NN-RTPSW	NETWORK NODE RECTANGULAR, PIR MOTION SENSOR/ DAYLIGHT HARVESTING, WHITE	767627011330	106059
NN-RTVSW	NETWORK NODE RECTANGULAR, PIR VACANCY SENSOR/ DAYLIGHT HARVESTING, WHITE	767627012730	106001
NN-RTDHW	NETWORK NODE RECTANGULAR, DAYLIGHT HARVESTING, WHITE	767627011931	105893



**5-year standard warranty** (further details available at [www.maxlite.com/warranties](http://www.maxlite.com/warranties)) Product may be eligible for a warranty extension to 10 years, for an additional fee. Contact MaxLite for details.

PROJECT NAME: \_\_\_\_\_ CAT. #: \_\_\_\_\_  
 NOTES: \_\_\_\_\_ FIXTURE SCHEDULE: \_\_\_\_\_

# Rectangular Network BLE Nodes & Sensors

**Specifications:**

	NN-RTW	NN-RTDHW	NN-RTPSW	NN-RTVSW
BLE CONTROL NODE	Yes	Yes	Yes	Yes
DAYLIGHT HARVESTING	No	Yes	Yes	Yes
DIGITAL PIR MOTION SENSOR	No	No	Yes	Yes
DETECTION MODE	N/A	N/A	Occupancy	Vacancy*
OVERALL DIMENSIONS	51.5mm x 20.5 mm x 10.8 mm	51.5mm x 20.5 mm x 10.8 mm	58 mm x 20.8 mm x 20.5 mm	58 mm x 20.8 mm x 20.5 mm
WEIGHT	0.32oz	0.48oz	0.32oz	0.32oz
CONNECTOR PORT	USB-C			
OPERATING VOLTAGE	12-20VDC			
OPERATING CURRENT	max 35mA			
SINKING CURRENT	max 25mA			
CONTROL OUTPUT	0-10V			
RADIO FREQUENCY	2.4GHz ± 75MHz			
WIRELESS STANDARD	BLE 4.2 MESH IEEE 802.15.1			
PROGRAMMING	c-Max Mobile App (IOS and Android)			
CYBERSECURITY	UL1376 Bronze Rating Pending			
ENCRYPTION	AES 128-bit			
MESH RANGE	100ft node-to-node and 50ft node-to-device (Commissioning)			
SAFETY	cULus Listed E511069 Light-emitting-diode Controllers			
FCC	FCC ID: 2AZRDCMAX2021			
BQB	D055367			
OPERATING TEMPERATURE	-40°F to 130°F / -40°C to 55°C			
COLOR	White			

\*Must be paired with a Network Wall Switch

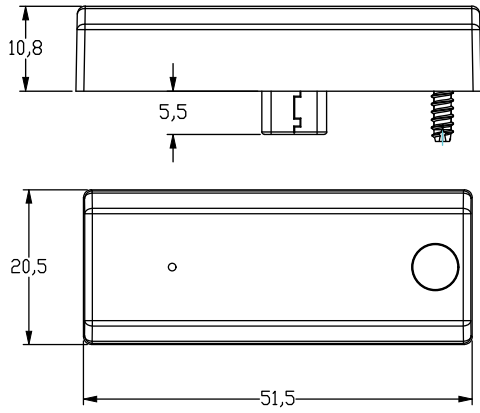


**5-year standard warranty** (further details available at [www.maxlite.com/warranties](http://www.maxlite.com/warranties)) Product may be eligible for a warranty extension to 10 years, for an additional fee. Contact MaxLite for details.

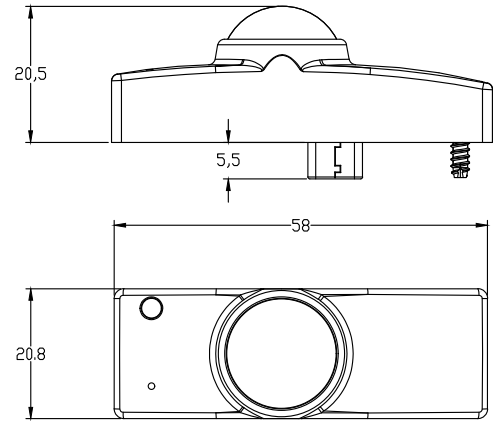
# Rectangular Network BLE Nodes & Sensors

## Product Dimensions

NN-RTW AND NN-RTDHW



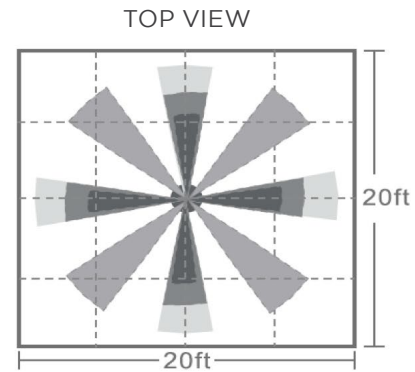
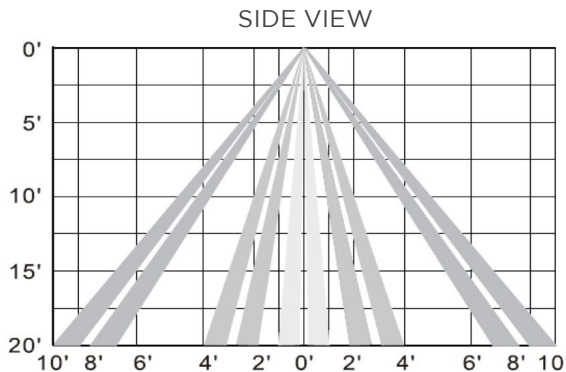
NN-RTPSW/NN-RTVSW



REQUIRES M2.5 ALLEN WRENCH

## Detection Coverage

NN-RTPSW



<b>MOUNTING HEIGHT</b>	ft (m)	8' (2.4)	10' (3)	15' (4.6)	20' (6)
<b>MAX COVERAGE DIAMETER</b>	ft (m)	8' (2.4)	10' (3)	15' (4.6)	20' (6)

## Commissioning

c-Max mobile App makes it easy to pair devices, create groups, set scenes/schedules, customize dimming levels, and adjust high trim based on application needs.

Visit [www.maxlite.com/cmmax](http://www.maxlite.com/cmmax) for How-to-Videos and a comprehensive commissioning guide.

