

## SLIM FLOODS



15W with  
1/2" Threaded  
Knuckle



29W with  
1/2" Threaded  
Knuckle



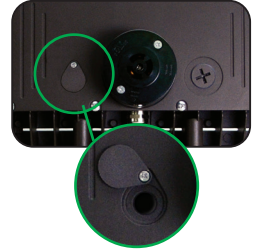
50W with  
Yoke Mount



70/90W with Yoke  
& RPC  
(CCT Selectable fixture)



70/90W with Slipfitter  
Knuckle & RPC  
(CCT Selectable fixture)



CCT Selectable Button  
for 70/90W models

### PRODUCT DESCRIPTION:

The MaxLite Slim Flood Light family delivers high performance in a small and price-effective package. All versions are available for a variety of mounting applications - 1/2" threaded knuckle, yoke and slipfitter. Higher wattages are CCT selectable, allowing customers to choose from 3000K, 4000K or 5000K. A 3-pin NEMA twist lock photocell receptacle with shorting cap is included as standard.



### CONTROLS:

- 70W and 90W include 3 pin NEMA twist lock receptacle with shorting cap included

### INSTALLATION:

- 15W available with 1/2" threaded knuckle mount, use the tenon reducer for slipfitter applications
- 29/50W available with either 1/2" threaded knuckle or yoke mount, use the tenon reducer for slipfitter applications
- 70/90W available in 1/2" threaded knuckle, 2 3/8" OD slipfitter or yoke mounts

### CONSTRUCTION:

- Die cast aluminum housing with corrosion resistant powder coat paint
- UV resistant polycarbonate lens

### LISTINGS:

- cULus listed for Wet Locations, Outdoor
- DLC Premium (except 50W Narrow)

### WARRANTY:

5-year standard warranty (further details available at [www.maxlite.com/warranties](http://www.maxlite.com/warranties)) Product may be eligible for a warranty extension to 10 years, for an additional fee. Contact MaxLite for details.

## ORDERING STRUCTURE

FAMILY	WATTAGE (NOMINAL)	VOLTAGE	DISTRIBUTION	CCT	FINISH	MOUNTING	OPTIONS
MSF= Slim Flood	15= 15W 29= 29W 50= 50W	U= 120-277V	W= Wide  N= Narrow (available in 50W only)	30= 3000K 40= 4000K 50= 5000K	B= Bronze  Contact MaxLite for additional finishes	KT= Knuckle with 1/2" Thread  SK <sup>1</sup> = Slipfitter Knuckle <sup>1</sup>  Y <sup>2</sup> = Yoke <sup>2</sup>	RPC <sup>3</sup> = 3 pin NEMA Photocell Receptacle with Shorting Cap <sup>3</sup> (included and only available with 70/90W)  <i>For Photocell on 15-50W– order junction box and external PC accessories</i>
	70= 70W 90= 90W			CS= CCT Selectable 3000K/ 4000K/ 5000K (70/90W only)			

### NOTES

<sup>1</sup>Available with 70/90W only, 15/29/50W use KT mount with TR2.37BZ accessory












<sup>2</sup>Available on all except 15W

<sup>3</sup>70/90W twist lock receptable included if PC is desired - order PCTL-UNV separately

**ORDER CODES**

ORDER CODES	MODEL NUMBER	DLC PRODUCT ID	DLC CATEGORY	WATTAGE	CCT
104184	MSF15UW-30BKT	PLUDMJQQA1C	Outdoor Luminaires - Architectural Flood and Spot Luminaires	15W	3000K
104185	MSF15UW-40BKT	PLOIU4WFWCAQ		15W	4000K
104186	MSF15UW-50BKT	PLT4EUYGSR5S		15W	5000K
104188	MSF29UW-30BKT	PL12FFWE2CYO		29W	3000K
104189	MSF29UW-40BKT	PLZO3ZBCKNIG		29W	4000K
104190	MSF29UW-50BKT	PLYXNGXBULL		29W	5000K
104191	MSF50UW-30BKT	PLJOZ94ZFYWQ		50W	3000K
104192	MSF50UW-40BKT	PLJZK7WJ81A3		50W	4000K
104193	MSF50UW-50BKT	PLJH7W6PMRSB		50W	5000K
104194	MSF70UW-CSBSKRPC	PLI3K3D9HAFC		70W	3000K/4000K/5000K
104196	MSF70UW-CSBYRPC	PLI3K3D9HAFC		70W	
104197	MSF90UW-CSBSKRPC	PLLJ2SNZ2XWQ		90W	
104198	MSF90UW-CSBYRPC	PLLJ2SNZ2XWQ		90W	

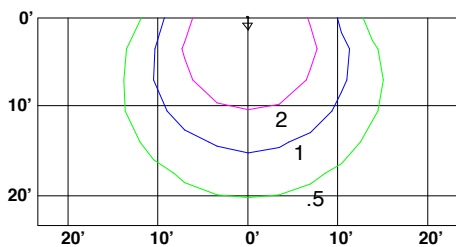
**ACCESSORIES**

ORDER CODE	MODEL NUMBER	DESCRIPTION	IMAGE
72055	PCTL-UNV	TWIST-LOCK ELECTRONIC PHOTOCONTROL 120/208/240/277V	
101679	TR2.37BZ	CONVERTS 1/2" KNUCKLE THREADED MOUNT (KT) TO 2 3/8" SLIPFITTER KNUCKLE (SK) MOUNT, BRONZE	
104199	MSF15-HALFVISOR	SLIM FLOOD HALF VISOR FOR 15W	
104200	MSF15-FULLVISOR	SLIM FLOOD FULL VISOR FOR 15W	
104201	MSF29-HALFVISOR	SLIM FLOOD HALF VISOR FOR 29W	
104202	MSF29-FULLVISOR	SLIM FLOOD FULL VISOR FOR 29W	
104203	MSF50-HALFVISOR	SLIM FLOOD HALF VISOR FOR 50W	
104204	MSF50-FULLVISOR	SLIM FLOOD FULL VISOR FOR 50W	
104205	MSF70/90-HALFVISOR	SLIM FLOOD HALF VISOR FOR 70/90W	
104206	MSF70/90-FULLVISOR	SLIM FLOOD FULL VISOR FOR 70/90W	
104352	GROUNDSTAKE	21" BLACK PVC GROUND STAKE WITH BRONZE DIE CAST CAP, GROUND STABILIZERS BARS AND HARDWARE TO MOUNT TO MOUNT JUNCTION BOX, WHICH ALLOWS ADDING AN EXTERNAL PHOTOCELL	
104350	JBOXB-4TH	JUNCTION BOX WITH 4 1/2" CONDUIT HOLES TOP COVER. PROVIDES MOUNTING FOR FLAT SURFACES AND ADDING EXTERNAL PC (PC-120277EXT)	
101417	PC-120277EXT	EXTERNAL PHOTOCONTROL 120-277V, BLACK FINISH	
96268	MLRTLPCRSP	SHORTING CAP FOR NEMA TWIST LOCK PHOTOCELL RECEPTACLE (3, 5 OR 7 PIN) <b>Only for 70W &amp; 90W models.</b>	

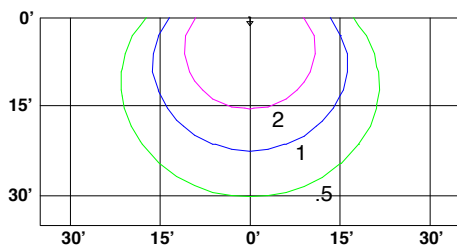
SPECIFICATIONS	MSF15	MSF29	MSF50	MSF70/90
SPECIFICATION	DETAILS			
Power Consumption (W)	14.5	29.8	49.5	70.5/90
Lumens Delivered (lm)	1,590-1,635	3,400-3,430	5,800 - 6,270	8,480-9,980/11,320-13,180
Efficacy (lm/W)	110-114	114-116	116-120	120.5-141/125-147
CRI	≥83	≥84	≥83	≥82
Color Temperature (K)	3000K, 4000K, 5000K			CCT Selectable 3000K, 4000K, 5000K
Distribution / Beam Angle	Wide/7x7/109°	Wide/7x7/109°	Wide/7x7/109°, Narrow/4x4/30°	Wide/7x7/115.5°
Voltage	120-277V			
Housing	Die Cast Aluminum with corrosion resistant powder coat paint			
Mounting	1/2" Threaded Knuckle - all, Yoke - 29W+, Slipfitter - all (15-50W use tenon reducer accessory)			
Lens	UV stabilized PC			
Operating Temperature	15/29/50W= -20°C - 40°C 70/90W= -40°C - 40°C			
Weight	1.5lbs	3.0lbs	4.5lbs	11lbs
Listings	cULus, FCC, ANSI 1.5G Vibration			
DesignLight Consortium	DLC Standard (except 50W Narrow)			DLC Premium
Environment	Wet locations, Outdoor, IP65			
Warranty	5 Years			

**PHOTOMETRIC LAYOUTS\***

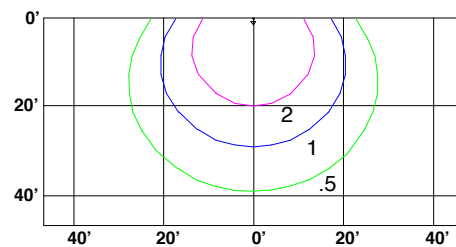
\*Units in FC



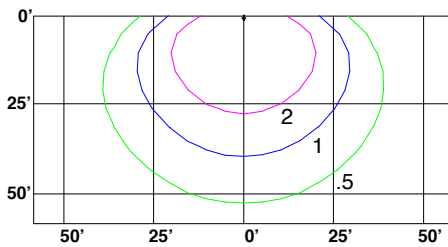
**15W**  
10' Mounting Height  
45° tilt



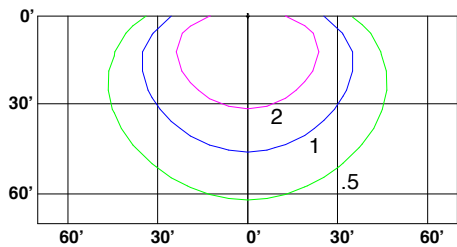
**29W**  
15' Mounting Height  
45° tilt



**50W**  
20' Mounting Height  
45° tilt

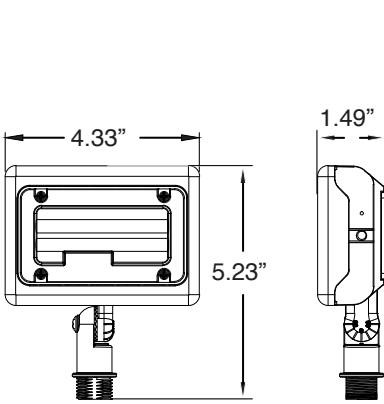


**70W**  
25' Mounting Height  
45° tilt

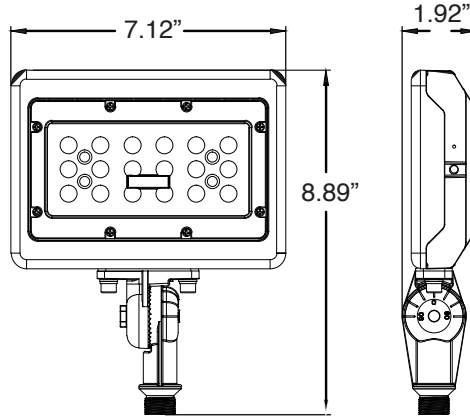


**90W**  
30' Mounting Height  
45° tilt

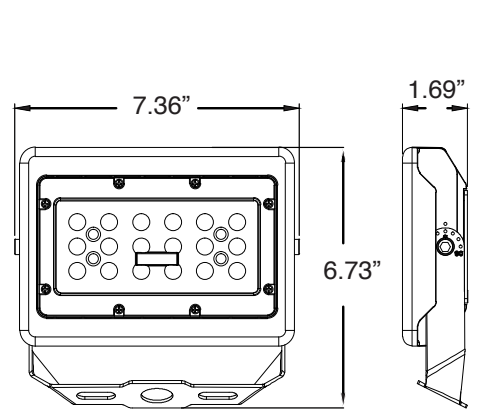
**PRODUCT DIMENSIONS:**



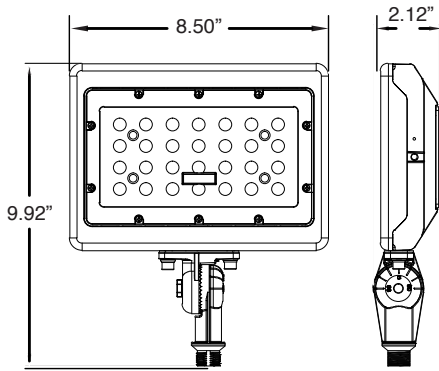
15W with 1/2" Threaded Knuckle



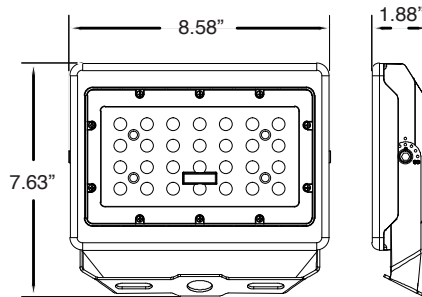
29W with 1/2" Threaded Knuckle



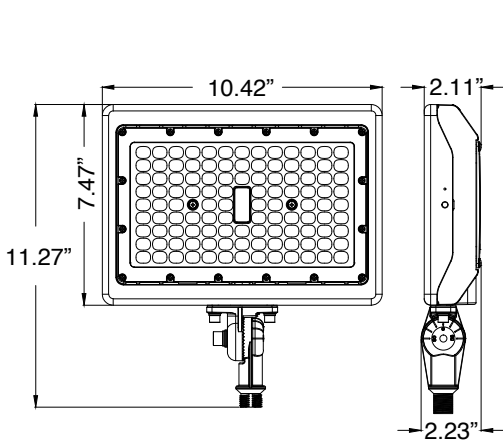
29W with Yoke Mount



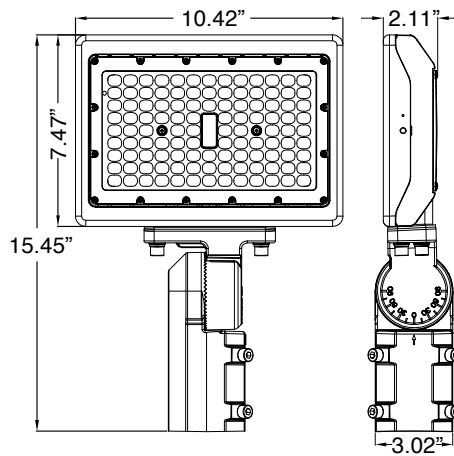
50W with 1/2" Threaded Knuckle



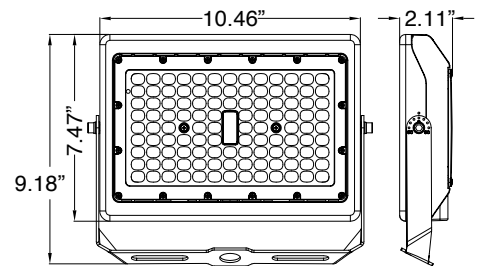
50W with Yoke Mount



70W/90 with 1/2" Threaded Knuckle



70W/90 with Slipfitter Knuckle



70W/90 with Yoke Mount