

HIGH OUTPUT FLOOD MP-HO SERIES



PRODUCT DESCRIPTION:

Delivering superior lumen output in a sleek design, the MPulse High Output Flood Light can replace HID lighting systems up to 1500W. The MPulse features a modular optic system that can be configured to suit a variety of interior and exterior applications, including car dealerships, parks and recreational areas, golf driving ranges, facades and general area illumination. Part of an award-winning outdoor family, the High Output Flood Light can be coordinated with Wall Mount, Flood, Canopy and Bollard luminaires for complete design continuity.



FEATURES:

- Trade Agreements Act (TAA) compliant
- Multiple NEMA beam patterns
- Multiple mounting options
- 3-Pin and 7-Pin photocontrol receptacles available for on/off or programmable dimming via a 3rd party
- Surge protection: 10kV and 10kA (120-277V) or 20kA (347-480V)

CONSTRUCTION:

- Die Cast and extruded Aluminum construction
- Tempered Glass lens
- Powder coated to be rust and corrosion proof

ENVIRONMENT:

- UL listed for Wet Locations
- IP66
- 1.5G rated per ANSI C136.31 (660W rating is available only on the Slipfitter options)

APPLICATIONS:

- High Mast
- Shipping Docks
- Airports
- Car Dealerships

WARRANTY:

10-year standard warranty with labor allowance*

(further details available at www.maxlite.com/warranties)

*Warranty Limitations: Product must be rated for the application per the Product Data Sheet (PDS); operated < 16 hrs; in ambient of -29°F to 104°F.

*Up to \$25/unit; labor allowances of up to \$500/unit available for purchase – contact MaxLite representative for details.

ORDERING STRUCTURE

FAMILY	-	SUBFAMILY	WATTAGE	VOLTAGE	OPTIC	CCT	FINISH	MOUNTING	OPTIONS
MP= MPulse	-	HO= High Output	220= 220W 440= 440W 660= 660W	U= 120-277V H= 347-480V	N= Medium Narrow M= Medium W= Wide R= Rectangular	30= 3000K ¹ 40= 4000K 50= 5000K	B= Bronze S= Silver ¹	TS= Trunion SK= Slipfitter	RPC= 3-Pin PC Receptacle PR7= 7-Pin PC Receptacle

¹Consult factory for lead times

MaxLite Makes It!

Don't see what you need? Additional wattages and specifications available upon request - contact your MaxLite rep!

ACCESSORIES

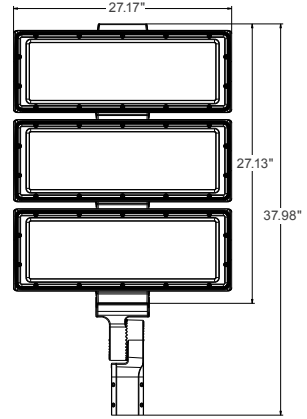
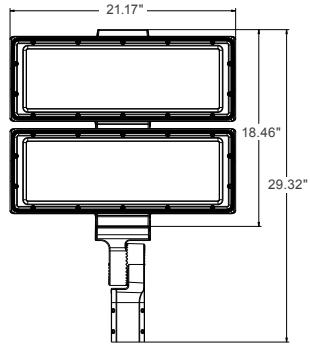
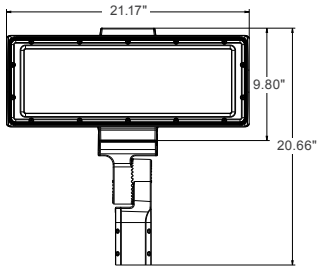
ITEM ACCESSORY	ITEM NAME	ITEM DESCRIPTION	PRODUCT IMAGE
Photocontrols	PCTL-UNV	Twist-Lock Electronic Photocontrol 120/208/240/277V	
	6394LL	Twist-Lock Electronic Photocontrol 432-528VAC	
	MLRTLPCRSP	Shorting Cap for NEMA Twist Lock Photocell Receptacle (3, 5 OR 7 PIN)	

SPECIFICATIONS		MP-HO220				MP-HO440				MP-HO660			
ITEM	SPECIFICATION	DETAILS											
GENERAL PERFORMANCE	Input Power (W)	220				440				660			
	Distribution Type	Narrow	Medium	Wide	Rectangular	Narrow	Medium	Wide	Rectangular	Narrow	Medium	Wide	Rectangular
	Lumen Delivered (lm) * 5000K shown	29,075	27,856	27,383	27,910	57,430	55,021	54,086	55,127	85,413	81,830	80,441	81,989
	Efficacy (lm/W)	132	126	124	127	131	126	124	126	132	126	125	127
	Color Temperature	3000K, 4000K, 5000K											
	Lumen Maintenance (L70, TM-21 @ 25°C)	>100,000 hrs											
	Housing	Die-Cast Aluminum											
ELECTRICAL	Input Voltage	120-277V, 347-480V with 0-10V, 10% dimming capability											
	MAX THD %	10%											
	Power Factor	>90%											
CERTIFICATION	Weight	220w @ 26lbs				440w @ 44.4lbs				660w @ 62.9lbs			
	Certifications	cULus Listed, IP66											
	Operating Temperature	-40°F-122°F (-40°C-50°C)											
QUALIFICATION	DesgnLight Consortium	DLC Premium											

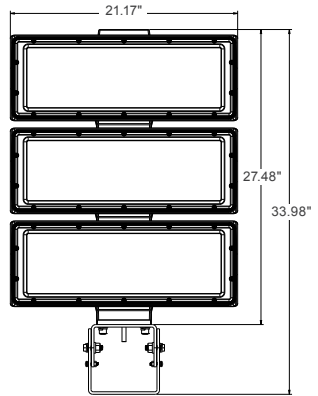
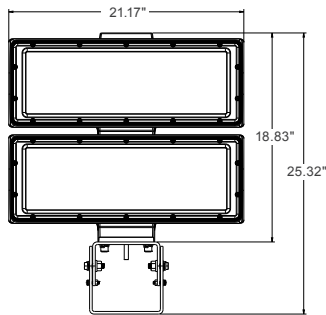
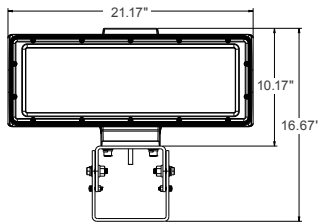
EPA TABLE

MODEL NUMBER	0°	30°	60°	90°	120°	180°
MP-HO220	0.65	1.03	1.21	1.21	1.21	0.65
MP-HO440	0.65	1.66	2.29	2.41	2.29	0.65
MP-HO660	0.73	2.3	3.37	3.61	3.37	0.73

DIMENSIONS:



SHOWN WITH SPLITFITTER



SHOWN WITH TRUNNION