

ModMax High Output Flood

MM SERIES



210W FLOOD



420W FLOOD



420W HIGH BAY



630W FLOOD



PRODUCT DESCRIPTION:

ModMax is a highly flexible, modular flood and sports lighting solution designed to replace metal halide fixtures from 400W - 1500W. ModMax is specifiable in two-row, 105W modules, with up to six modules configurable in a single luminaire. Each row of modules is customizable with one of three available optical distributions: narrow, medium or wide. Double pivot heads allow each row, and the luminaire's carriage, to be independently aimed for precise lighting aim. ModMax is available in arch yoke and highbay mounting options.

FEATURES:

- Discrete modules allow for precision aiming
- Available with 3 possible beam distributions
- Double pivot aiming where each row of modules, and the luminaire's carriage can also be independently aimed
- CRI: ≥85
- Operating Temperature: -22°F to 122°F
- L70 lifetime >100,000 hours

CONSTRUCTION:

- Steel carriage for high bay and arch yoke mounts
- Independent aluminum heatsinking for each module
- Polyester TGIC powder coat finish

MOUNTING:

- High Bay: suitable for 3/4" NPS mono-stem mount (Dimensions available on page 3)
- Arch Yoke: suitable for surface mounting (Dimensions available on page 4)

DIMENSIONS: See page 3 for dimensions

MODEL SELECTION		Typical order example: MM420UWW50FDG				
MM				50		DG
FAMILY	NOMINAL WATTAGE, EQUIVALENCY	VOLTAGE	DISTRIBUTION	CCT	MOUNTING BRACKET	FINISH
MM= ModMax	*210 = 210W, 400W MH equivalent	U= 120-277V H= 347-480V	W= 57° Wide	50= 5000K	F= Arch Yoke H= Highbay P= Pole Mount (2-3/8" Tennon)	DG= Dark Gray (Std)
	420 = 420W, 1000W MH equivalent 630 = 630W, 1500W MH equivalent		WW= 57° Wide			

NOTES:

*29° and 40° options available. Please contact your MaxLite representative for lead times and quantities.

SPECIFICATIONS:

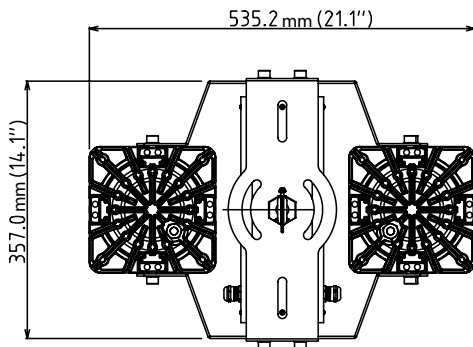
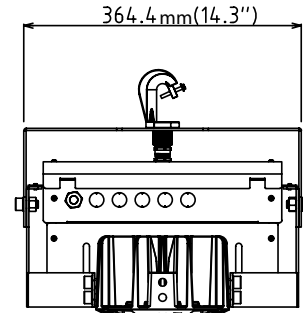
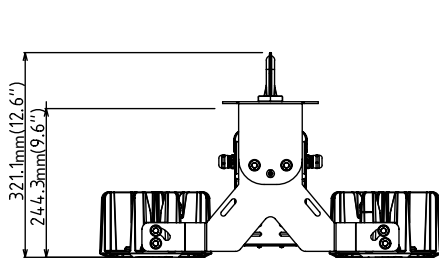
		MM210UXXXXXX	MM420UXXXXXX	MM630UXXXXXX
ITEM	SPECIFICATION	DETAILS		
GENERAL PERFORMANCE	Input Power (W)	218	445	629
	Lumens Delivered, Narrow Distribution (lm)	19,545	38,440	61,800
	Lumens Delivered, Medium Distribution (lm)	19,555	38,290	61,140
	Lumens Delivered, Wide Distribution (lm)	20,200	38,475	62,260
ELECTRICAL	Efficacy (lm/W)	85-99		
	Color Temperature	5000K		
	CRI	≥85		
PHYSICAL	Lumen Maintenance (L70, TM-21 @ 25°C)	200,000 hours		
	Input Voltage	120-277V standard		
	Power Factor (277V)	≥0.9		
	Weight (lbs)	24.2	37.4	48.5
	Effective Projected Area (High Bay)	1.2 ft ²	2.2 ft ²	3 ft ²
	Effective Projected Area (Flood)	2.1 ft ²	2.5 ft ²	3.5 ft ²
	Housing	SMPS Cover, Carriage: Steel; Heatsinks: Aluminum		
	Lens	Tempered Glass Lens		
	Operating Temperature	-22°F to 122°F (-30°C to 50°C)		
CERTIFICATION	Humidity	>90%, Non-condensing		
	Finish	Dark Gray standard		
	Certifications	cULus, LM-79, LM-80, TM-21, IP66		
	Environment	Outdoor wet location		
	Warranty	5 years		

ORDERING*:

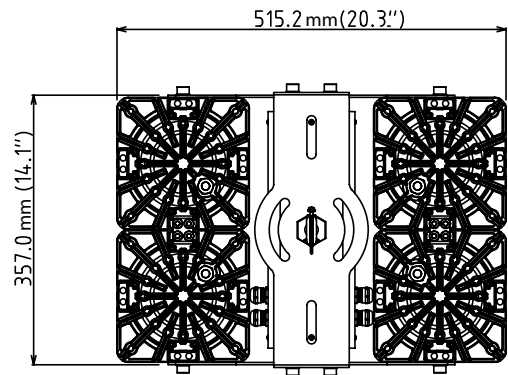
ORDER CODE	MODEL	MOUNTING	VOLTAGE	DISTRIBUTION	CCT	NOMINAL WATTAGE
101407	MM210UW50FDG	Arch Yoke, Flood	120-277V	Wide	5000K	210W
101408	MM420UWW50FDG	Arch Yoke, Flood				420W
101409	MM630UWW50FDG	Arch Yoke, Flood				630W

*Please contact your MaxLite representative to order products that don't have order codes listed here.

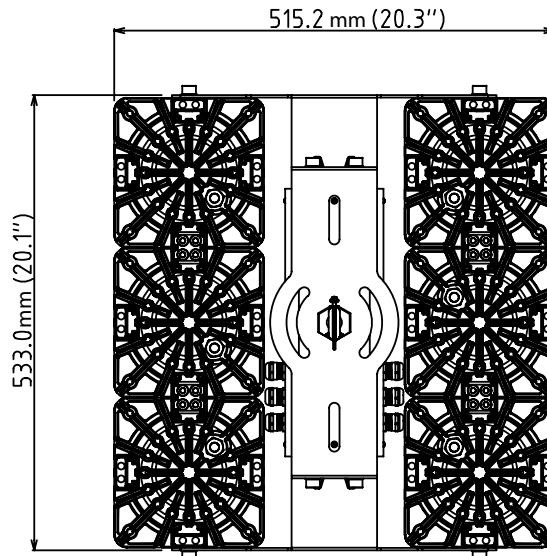
HIGHBAY DIMENSIONS:



210W HIGH BAY

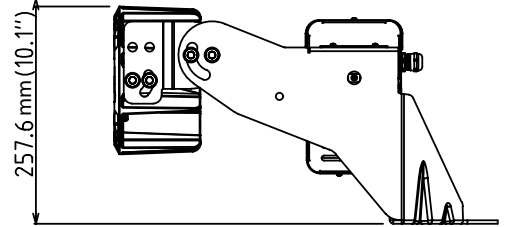
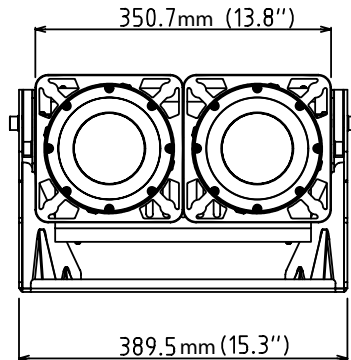
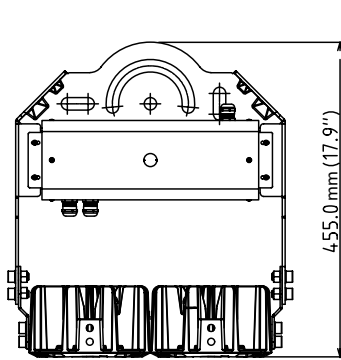


420W HIGH BAY

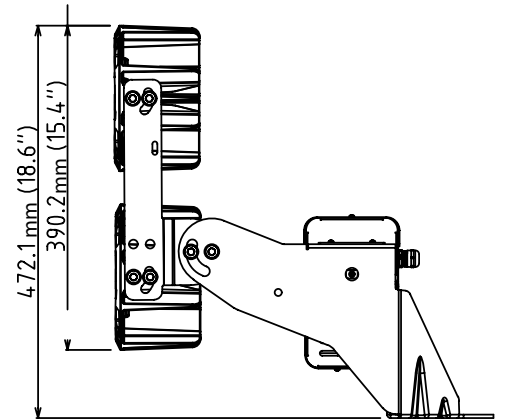
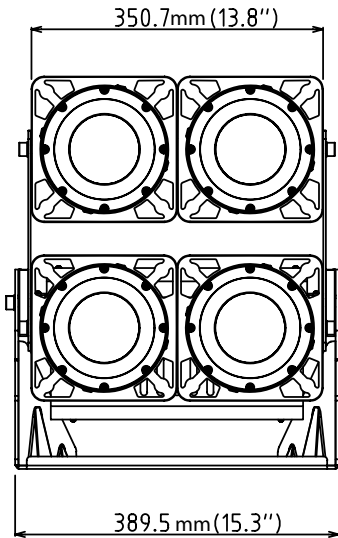
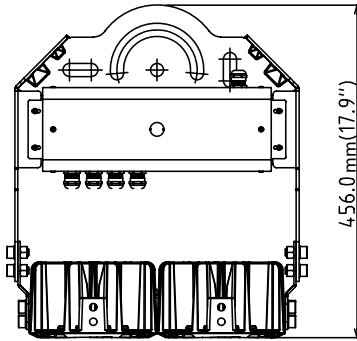


630W HIGH BAY

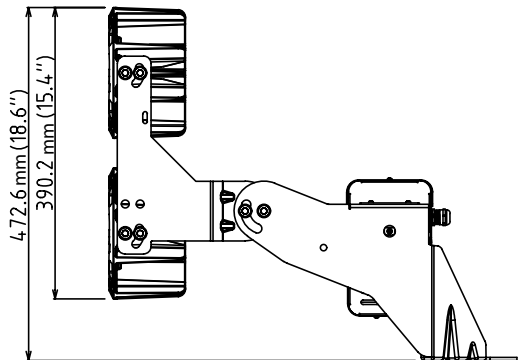
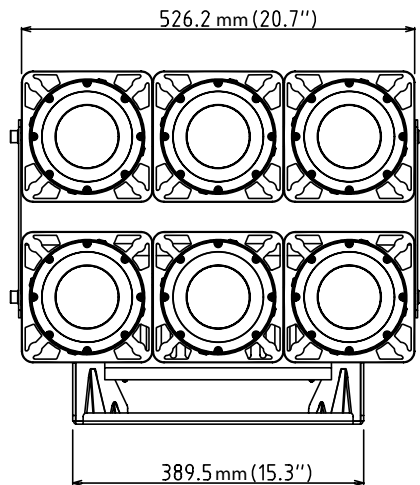
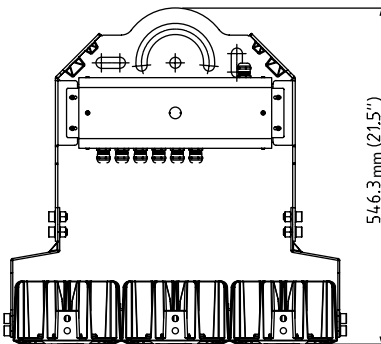
FLOOD DIMENSIONS:



210W FLOOD



420W FLOOD



630W FLOOD