

LED VAPORPROOF JELLY JAR
MLVP SERIES



Ceiling Mount



Wall Mount, with drop lens accessory



PRODUCT DESCRIPTION:

LED Vaporproof Jelly Jars are designed to replace 100-watt incandescent and 23-watt CFL fixtures with high-quality, long-lasting illumination over doorways, scaffolding, construction sites, fire hydrants and emergency call stations. The lamps are IP66 rated against ingress of dust and pressurized water in harsh environments, and suitable for inverted mounting. They have an L70 lifetime of 50,000 hours.

Constructed with a shortened polycarbonate lens that minimizes light loss, Jelly Jars may be mounted at heights lower than the short-lived fixtures they replace for easier maintenance.

FEATURES:

- Efficacy exceeding 80 lm/W allows replacement of 100W incandescent or 23W CFL
- Wide operating temperature of -30°F-104°F
- 70 CRI min
- Universal 120-277V power supply
- Power Factor > 0.9; THD < 25%
- Rated for 50,000-hour L70lifetime at TM-21 standards, 25°C

CONSTRUCTION:

- Die-cast housing, durable powder coat finish
- IP66 rated
- Suitable for inverted mounting
- Multiple conduit entries for easy wiring
- Flat polycarbonate lens allows for lower mounting heights

Full Details of Line Drawings can be found on page 3.

MODEL SELECTION (Full list of order codes on pg. 2)		Typical order example: MLVPW14LED50CP		
MLVP		14	LED50	CP
FAMILY	MOUNT	POWER, EQUIVALENCY	CCT	LENS
MLVP= Vaporproof Jelly Jar	W= Wall Mount C= Ceiling Mount	14= 14W, 100W INC equivalent	LED50= 5000K	CP= Clear Polycarbonate

ACCESSORIES			
ORDER CODE	MODEL NUMBER	DESCRIPTION	IMAGE
74282	MLVPDLWG	14W LED Vaporproof Frosted Drop Lens and Die-Cast Wire Guard, Aluminum Finish	

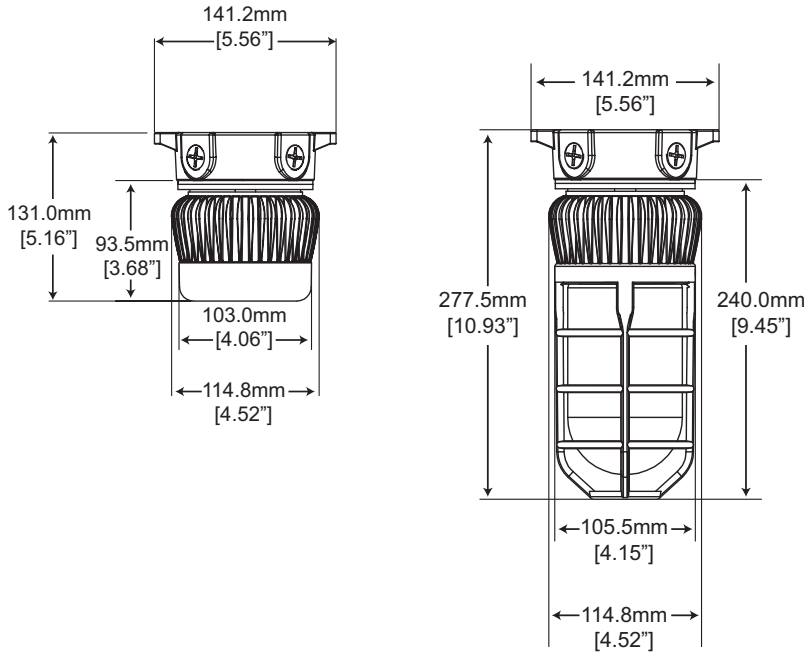
SPECIFICATIONS:

ITEM	SPECIFICATION	MLVPW14LED50CP		MLVPC14LED50CP	
		DETAILS		DETAILS	
GENERAL PERFORMANCE	Lumens Delivered (lm)	1,120			
	Efficacy (lm/W)	83			
	CCT	5000K			
	L70 lifetime hours, TM-21 @25°C	50,000			
	Color Rendering Index (CRI)	70			
ELECTRICAL	Input Power (W)	13.45			
	Power Factor	> 0.9			
	Input Voltage (V)	120-277, 50/60Hz			
PHYSICAL	Weight (lbs)	2.95		2.60	
	Lens	Clear Polycarbonate			
	Housing	Aluminum			
	Mounting	Gasketed back plate can be mounted to recessed outlet box or direct to surface			
	Operating Temperature	-30°F-104°F			
APPLICATION	Certification	RoHS, cULus, FCC, LM-79, LM-80			
	Environment	IP66			
	Humidity	20% - 85% RH, non condensing			
	Warranty	5 Years			

ORDERING*:

ORDER CODE	MODEL	EFFICACY (lm/W)	OUTPUT (LUMENS)	NOMINAL POWER (WATTS)	CCT	FINISH
74279	MLVPC14LED50CP	83	1,125	14	5000K	Aluminum
74278	MLVPW14LED50CP					

CEILING MOUNT LINE DRAWING:



WALL MOUNT LINE DRAWING:

