

PROJECT NAME: \_\_\_\_\_ CAT. #: \_\_\_\_\_  
 NOTES: \_\_\_\_\_ FIXTURE SCHEDULE: \_\_\_\_\_

## LED Slim Desk Lamp

ML7 Series



### Product Description:

The LED Desk Lamp with USB port illuminates your work area while you charge your compatible devices. Its compact design packs plenty of light while taking up minimal space on your desktop. The lamp is designed with an energy saving LED light source that provides soft, even illumination for reading, crafts and other tasks. The fixture features a flexible neck that allows light to be easily directed to where it is needed and an easy-to-reach on/off touch switch on the base.

### Features:

- Slim profile
- USB 2.0 port, 5V
- ON/OFF touch switch
- Adjustable neck
- High CRI  $\geq 90$
- Beam angle: 115°
- Ships with 100-240V adaptor

### Construction:

- Plastic housing

### Listings:

- ETL listed for dry locations, Indoor
- ENERGY STAR Certified
- T20

## Ordering Information

FAMILY	TYPE	WATTAGE	CCT	FINISH
ML7= Slim Desk Lamp	LA= LED Integrated	4= 4W	30= 3000K	<b>WH=</b> White <b>BK=</b> Black <b>BL=</b> Blue <b>BU=</b> Burgundy <b>GR=</b> Green <b>PK=</b> Pink

## Stocked Items

MODEL NUMBER	ORDER CODE	DESCRIPTION	ENERGY STAR #
ML7LA4S30WH	105354	DESK LAMP LED 4W SLIM 3000K, WHITE FINISH	2373039
ML7LA4S30BK	105355	DESK LAMP LED 4W SLIM 3000K, BLACK FINISH	
ML7LA4S30BL	105356	DESK LAMP LED 4W SLIM 3000K, BLUE FINISH	
ML7LA4S30BU	105357	DESK LAMP LED 4W SLIM 3000K, BURGUNDY FINISH	
ML7LA4S30GR	105358	DESK LAMP LED 4W SLIM 3000K, GREEN FINISH	
ML7LA4S30PK	105359	DESK LAMP LED 4W SLIM 3000K, PINK FINISH	



**5-year standard warranty** (further details available at [www.maxlite.com/warranties](http://www.maxlite.com/warranties))

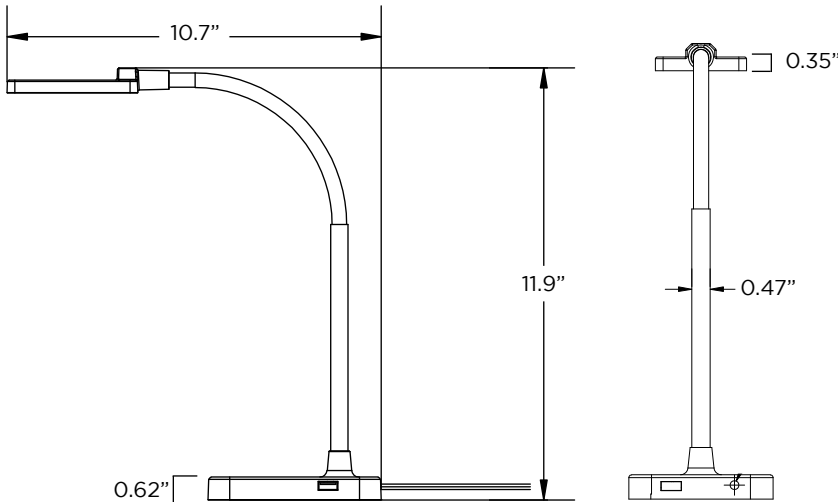
Product may be eligible for a warranty extension to 10 years, for an additional fee. Contact MaxLite for details.

# LED Desk Lamp

## Specifications

	ML7LA4S30xx
Power Consumption	4W
Lumens Delivered	225 lm
Efficacy	56.3 lm/W
Distribution	115°
CRI	≥90
Color Temperature (K)	3000K
L70 Lumen maintenance	≥25,000 hours
Power Factor	≥0.7
Input Voltage	120-240V
Max. Input Current	0.5A
Operating Temperature	-4°F to 104°F
Listings	ES, T20, cETL, FCC
Environment	Dry locations, Indoor Only
Warranty	5 years

## Dimensions



## Beam Angle Diagram

