

**PUFF FLUSH MOUNT**  
**CCT SELECTABLE SERIES**



Small



Medium



Large

Highly customizable, this Energy Star and Title 24 offering fits commercial, multi-unit residential and hospitality spaces with CCT Selectability, options such as Bilevel motion sensor or Battery Backup, voltages ranging from 120 to 120-277V with Triac as well as 0-10V dimming. Keep the same look throughout your building!



**FEATURES:**

- 2700K/3000K/3500K/4000K/5000K CCT Selectable
- 120-277V available
- Bi-level motion sensor and Battery back up options

**DIMMING:**

- 120V option available with 120V triac dimming (10%)
- 120-277V option available with 0-10V dimming (10%)

**MOUNTING:**

- Ceiling flush mount

**CONSTRUCTION:**

- Steel housing
- Polystyrene plastic lens

**CONTROLS:**

- 120-277V models are available with a bi-level motion sensor

**LISTINGS:**

- ETL listed for damp locations, Indoor
- ENERGY STAR Certified
- Supports T24 Part 6 high efficacy lighting requirements
- JA8 Listed for CCTs ≥ 4000K

**WARRANTY:**

5-year standard warranty\* (further details available at [www.maxlite.com/warranties](http://www.maxlite.com/warranties))

\*Product may be eligible for a warranty extension to 10 years, for an additional fee. Contact MaxLite for details.

**ORDERING STRUCTURE**

FAMILY	TYPE	SIZE	STYLE	FINISH	VOLTAGE	WATTAGE (NOMINAL)	CRI	CCT	OPTIONS
ML2= Ceiling Flush Mounts	LA= LED integrated	S= Small, 11"	P= Puff	WH= White	[BLANK]= 120V, Triac dimming  U= 120-277V, 0-10V dimming	16= 16W	9= 90 CRI	CS= 2700K/3000K/3500K/4000K/5000K CCT Selectable	MSV <sup>1,2</sup> = Bi-Level motion sensor  EM <sup>1,2,3</sup> = Emergency Battery back up
		M= Medium, 13"				20= 20W			
		L= Large, 15"				24= 24W			

<sup>1</sup>MSV and EM options are only available with the 120-277V version

<sup>2</sup>When using MS or EM, resulting input wattage is 1W higher

<sup>3</sup>The nominal lumen output is 250 lm for 90 minutes in emergency mode

**ACCESSORY (SOLD SEPARATELY)**

ORDER CODE	MODEL NUMBER	DESCRIPTION	IMAGE
105035	RMMH-10	Remote Control For Motion Sensor	

**ORDER CODE**

ORDER CODE	MODEL NUMBER	ES ID
103950	ML2LASPWH169CS	2362780
104651	ML2LAMPWH209CS	2363296
104652	ML2LALPWH249CS	2363297
104653	ML2LASPWHU169CS	2362863
104654	ML2LAMPWHU209CS	2362867
104655	ML2LALPWHU249CS	2362871

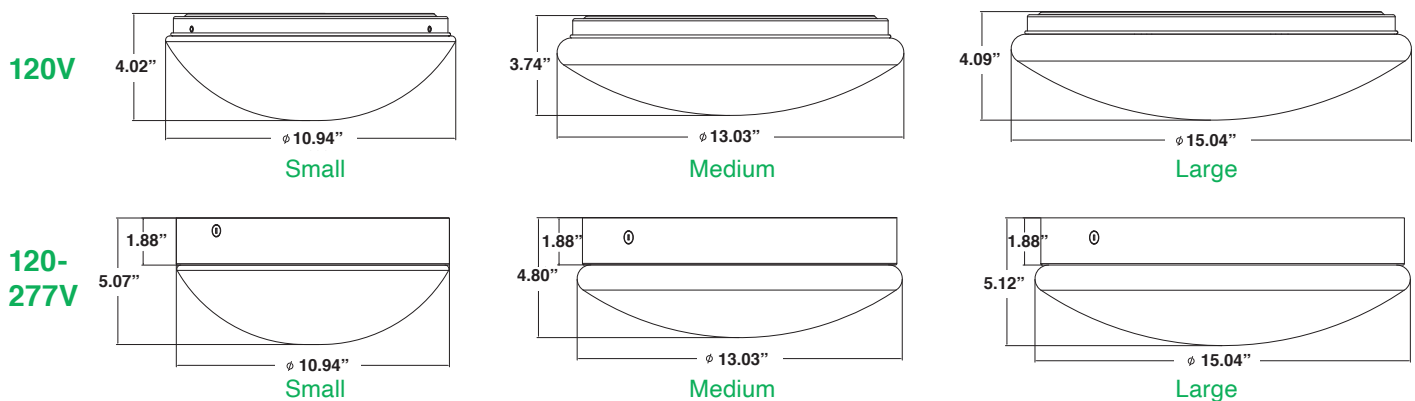
**COMPATIBLE DIMMERS**

DIMMER BRAND	MODELS	FIXTURE MODEL
LUTRON	DVCL-153P, CTCL-153P, TGCL-153P, PD-6WCL, MACL-153M	120V
	IPL06-10, 6672-1L, 6674-P0	120-277V
LEVITON	NTSTV, DVSTV, MS-Z101	120V
	IP70-LFZ, SR1200ZTUNV	120-277V

**SPECIFICATIONS**

	ML2LASPWH169CS	ML2LAMPWH209CS	ML2LALPWH249CS	ML2LASPWHU169CS	ML2LAMPWHU209CS	ML2LALPWHU249CS
	<b>DETAILS</b>					
<b>Nominal Wattage (W)</b>	16W	20W	25W	16W	20W	24W
<b>Lumens Delivered (lm) @ 2700K</b>	1100	1400	1700	1300	1500	2000
<b>Equivalency</b>	75W INC	100W INC	125W INC	100W INC	125W INC	150W INC
<b>Efficacy (lm/W)</b>	69	70	68	81	80	83
<b>Beam Angle</b>	120°					
<b>CRI</b>	≥90					
<b>Color Temperature (K)</b>	2700K, 3000K, 3500K, 4000K, 5000K					
<b>L70 Lifetime (Hrs)</b>	≥54,000 Hrs					
<b>Voltage</b>	120V (Triac Dimming, 10%) & 120-277V (0-10V Dimming, 10%)					
<b>Power Factor</b>	≥0.90					
<b>Housing</b>	Steel					
<b>Lens</b>	Polystyrene plastic					
<b>Mounting</b>	Ceiling flush mount					
<b>Operating Temperature</b>	-4°F to 104°F					
<b>Listings</b>	ENERGY STAR, Title 24, cETLus, FCC					
<b>Environment</b>	Damp locations, Indoor					
<b>Warranty</b>	5 Years					

**PRODUCT DIMENSIONS:**



**MOTION SENSOR DIP SETTING:**

**1) DETECTION AREA**

	1	2	
I	ON	ON	100%
II	ON	-	75%
III	-	ON	50%
IV	-	-	10%

**2) HOLD TIME**

	3	4	5	
I	ON	ON	ON	5s
II	-	ON	ON	30s
III	ON	-	ON	90s
IV	-	-	ON	3min
V	ON	ON	-	20min
VI	-	-	-	30min

**3) STAND-BY PERIOD**

	6	7	8	
I	ON	ON	ON	0s
II	-	ON	ON	5s
III	ON	-	ON	5min
IV	-	-	ON	10min
V	ON	ON	-	30min
VI	-	ON	-	60min
VII	-	-	-	+∞

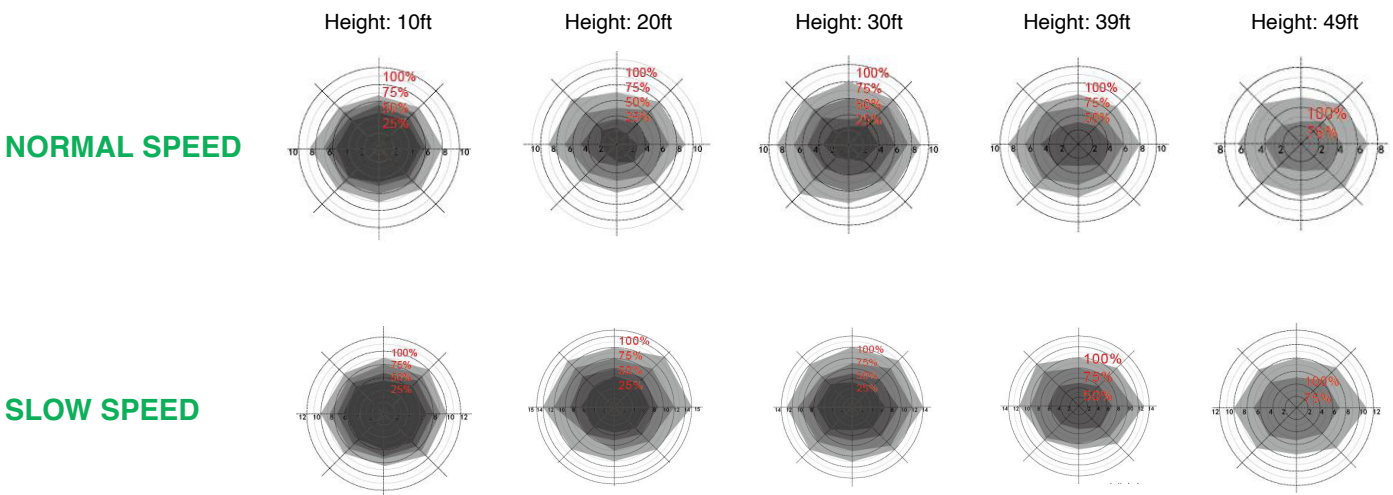
**4) DAYLIGHT SENSOR**

	1	2	3	4	5	6	
I	ON	ON	ON	ON	ON	ON	2lux
II	-	ON	ON	ON	ON	ON	5lux
III	ON	-	ON	ON	ON	ON	15lux
IV	ON	ON	-	ON	ON	ON	25lux
V	ON	ON	ON	-	ON	ON	50lux
VI	ON	ON	ON	ON	-	ON	100lux
VII	ON	ON	ON	ON	ON	-	Disable*

**5) STAND-BY DIM LEVEL**

	1	2	
I	ON	ON	50%
II	ON	-	35%
III	-	-	25%

**MOTION SENSOR RADIATION PATTERN:**



- 1- 100%, 75%, 50% or 25% represent the detection sensitivity
- 2- Normal speed is 1m/s or 2.23 mph
- 3- Slow speed is 0.3 m/s or 0.67 mph
- 4- There is only a 100%, 75% or 50% detection sensitivity at 32 ft height or more (no detection at 25% )