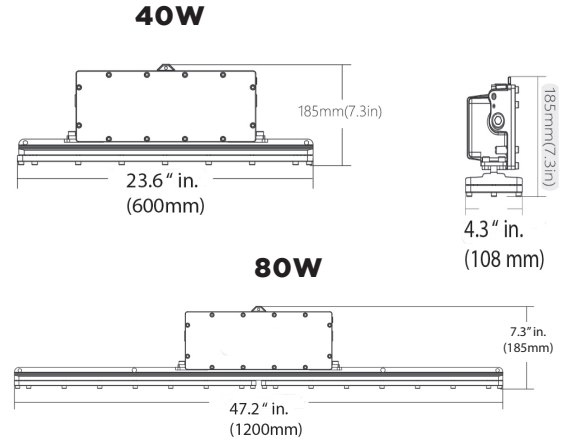
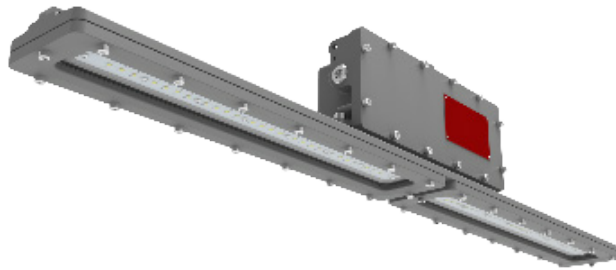


LINEAR CLASS I DIVISION 1 | HL-LI SERIES



The **HL-LI SERIES** is a linear LED luminaire engineered to stand up to the toughest operating conditions in **Class I Division 1** environments made hazardous by the presence of flammable vapors or gases or combustible dusts. A slim and lightweight profile and variety of mounting options enable this long-lasting, high-performance fixture to address virtually any lighting need.



CLASSIFICATIONS & RATINGS:

- UL 844
- Class I, Division 1, Groups C, D
- Class I, Division 2, Groups A, B, C, D
- UL 1598 Wet Locations
- UL1598A Marine Grade
- 1000 hours Spray Testing
- 5G Vibration rating per ANSI C136.31-201

FEATURES:

- Slim and compact design
- Second retention point integral to fixture
- Operating temperature: -40°C - 60°C (-40°F to 140°F)

CONSTRUCTION:

- Copper Free aluminum housing
- Stainless steel hardware
- Thermal shock and impact resistant PMMA tempered glass lens

MOUNTING:

- Ceiling/Wall Mount
- Pendant Mount
- Stanchion Mount
- Hanging Chain Mount

APPLICATIONS:

- Mining Sites/Heavy Industries
- Storage Facility/Paper Mills
- Wastewater Treatment Plants
- Loading Docks/Platforms/Shipyards
- Chemical Processing Facility
- Petrochemical Processing Facility

WARRANTY:

5-year standard warranty* (further details available at www.maxlite.com/warranties)

*Product may be eligible for a warranty extension to 10 years, for an additional fee. Contact MaxLite for details.

| MODEL SELECTION Typical order example: HL-LI2440UP-D1 | | | | | | | | | | | |
|---|---|------------------------|----------|------------------|---|---|--|--|-----------------|---|----------------|
| HL | - | LI | 24 | 40 | | | | | P | - | D1 |
| FAMILY | - | SUB FAMILY | LENGTH | NOMINAL WATT-AGE | VOLTAGE | DISTRIBUTION | LENS | CCT | MOUNTING | - | CLASSIFICATION |
| HL=Hazardous Location | - | LI=Linear, Gray finish | 24 = 24" | 40 = 40W | U= 120-277V H= 277-480V ¹ | [Blank]= Wide, 110° N= Narrow, 60° T=Type II ¹ | [Blank]= Clear D= Diffused ^{1,2} | [Blank]= 5000K 40= 4000K ¹ 30= 3000K ¹ | P=Pendant Mount | - | D1=CIDI |
| | | | 48 = 48" | 80 = 80W | | | | | | | |

¹Consult factory for lead times

²Only available in 5000K and wide distribution

LINEAR CLASS I DIVISION 1 | HL-LI SERIES

| STOCK ITEMS TABLE | |
|-------------------|-----------------|
| ORDER CODE | ITEM # |
| 103013 | *HL-LI2440UP-D1 |
| 103014 | *HL-LI4880UP-D1 |

*DLC Listed

| ACCESSORIES | | |
|-------------|--|------------|
| ITEM # | ITEM DESCRIPTION | ITEM IMAGE |
| HLLITB | Linear CID1, Trunion bracket, Ceiling/Wall Mount | |
| HLSC250 | RIG-A-LITE 10128R Lighting Fixture Safety Cable, 4' Long, 250 lbs Rating | |
| HLLISC | Safety Cable, HL-LI Series, Stainless Steel, 3FT Long | |

SPECIFICATIONS:

| ITEM | SPECIFICATION | HL-LI2440UP-D1 | HL-LI4880UP-D1 |
|---------------------|---------------------------------------|--------------------------------------|---------------------|
| | | DETAILS | |
| GENERAL PERFORMANCE | Input Power (W) | 38W | 80W |
| | Lumens Delivered (lm) | 4,470 | 9,250 |
| | Efficacy (lm/W) | up to 117 | |
| | CRI | > 70 | |
| | Lumen Maintenance (L90, TM-21 @ 25°C) | >100,000 | |
| | Color Temperature | 3000K, 4000K, 5000K | |
| | Spacing Criteria | Available upon request | |
| ELECTRICAL | Power Factor | >0.95 | |
| | Input Voltage | 120-277V, 347-480V | |
| PHYSICAL | Weight | 7.3kg/16.1lbs | 10.8kg/23.8lbs |
| | Dimensions | 23.6" x 7.3" x 4.3" | 47.2" x 7.3" x 4.3" |
| | Humidity | 5% - 95% RH, non-condensing | |
| | Operating Temperature | -40°C - 60°C (-40°F - 140°F) | |
| | Temperature Rating | T6 (C1D1) / T3C (C1D2) | |
| CERTIFICATION | Certification | UL844, UL 8750, UL1598A, FCC, UL1598 | |
| | Environment | IP66 | |
| | Material Usage | RoHS compliant; no mercury | |
| | Warranty | 5-year standard warranty* | |
| QUALIFICATION | DesignLights Consortium | DLC Standard | |

MOUNTING OPTIONS:

Hardware required to alter the standard mounting option into other variations is not provided by Maxlite



Pendant Mount



Ceiling Mount



Hanging Chain Mount



Pipe Mount