

PROJECT NAME: _____ CAT. #: _____
 NOTES: _____ FIXTURE SCHEDULE: _____

M Series



125/150W
STRAIGHT ARM



200/250/320W
FLEXIBLE ARM WITH C-MAX



125/150W
KNUCKLE SLIPFITTER



75/100W
TRUNNION



40/55W
FIXED WALL



40/55W VARIABLE
(ADJUSTABLE) WALL WITH C-MAX



40/55W FIXED WALL WITH EM
(BATTERY BACKUP)



Product Description:

The M Series product family provides a slim, clean design with tremendous versatility for outdoor lighting applications. A singular housing thrives as either an Area, Flood or Wall fixture depending on the optics and mounting selected. The standard product is CCT selectable, enabling the customer to choose from 3 color temperatures in a single product. It also includes a controls ready receptacle that allows the customer to add either basic controls, such as an on/off photocell or motion sensor, or network control nodes for grouping and more sophisticated control functions. Beyond the standard features, additional options and accessories include high voltage (277-480V), battery backup, visual comfort lens, back light shield and visors. The M Series family provides a comprehensive site design solution for your outdoor lighting needs.

Installation:

- 6 mountings available - straight arm, flexible arm, knuckle slipfitter, trunion, variable (adjustable) wall, fixed wall

Construction:

- Die cast aluminum housing with corrosion resistant polyester powder coat finish
- UV stabilized polycarbonate lens

Application:

- Area - 6 optics: Type 3 Medium, Type 4 Narrow, Type 4 Wide, Type 5 Square, Types 3 & 5 Low Glare
- Flood - 3 optics: Narrow 4x4, Concentrated Wide 6x6, and Soft Wide 6x7
- Wall - 4 optics: Type 3 Medium and Low Glare, Type 4 Narrow and Wide

Mounting:

- Arms feature labor saving slot design
- Slipfitter fits 2 3/8" - 3" OD tenons and bull horns
- Round pole adapters for 3", 4" and 5" round poles



Mounting Arms include labor saving slot pattern

Features:

- Covers 3 applications - Area, Flood and Wall
- 4 sizes, 9 wattages – 40/55W, 75/100W, 125/150W and 200/250/320W
- Multiple mounting options for wall, area and flood applications
- Comprehensive range of optic choices for area, flood and wall design requirements
- HV – 277-480V option
- CCT Selection – 3000/4000/5000K
- Compatible with field installable c-Max controls
- Avi-On controls compatible (factory installed)
- TAA Compliant



10-year standard warranty with labor allowance (further details available at www.maxlite.com/warranties)

Warranty Limitations: Product must be rated for application per the Product Data Sheet (PDS); operated ≤16 hrs; in ambient temperatures -4°F to 77°F. If ambient temperatures fall outside the -4°F to 77°F range, product is warrantied for 5 years according to the operating temperature range specified on the PDS. Up to \$25/unit; registration required. Additional coverage may be available for purchase; contact MaxLite. Excludes EM/MS versions: component warranty applies.

M Series

Ordering Information

| FAMILY | WATTAGE | VOLTAGE | DISTRIBUTION | - | CCT | COLOR | MOUNTING |
|--------------------|--|--|--|---|----------------------------|---|--|
| M= M Series | 40= 40W 55= 55W 75= 75W 100= 100W 125= 125W 150= 150W 200= 200W 250= 250W 320= 320W | U= 120-277V H= 277-480V | 3G= Type 3 Low Glare 3M= Type 3 Medium 4N= Type 4 Narrow 4W= Type 4 Wide 5S= Type 5 Square/Flood Soft Wide (6x7) N= Narrow Flood (4x4) W= Flood Concentrated Wide (6x6), Type 5 Low Glare | | CS= 3000/4000/5000K | B= Dark Bronze <i>Contact Maxlite for additional finishes</i> | 1A= Straight Arm, Pole Mount 1F= Flexible Arm, Pole Mount 2K= Knuckle Slip Fitter T= Trunnion V= Variable (Adjustable) Wall Mount W= Fixed Wall Mount |

¹Features labor saving slot pattern
²Covers 2 3/8" - 3" OD

| OPTIONS | EM OPTIONS (FACTORY INSTALLED) | OTHER CONTROLS |
|---|--|--|
| CR= Controls Ready, C-Max Compatible AV= Avi-on Controls (factory installed) | E0= Battery Backup, 0°C, Wall Applications Only E2= Battery Backup, -20°C, Wall Applications Only | *RPC= 3-pin Twist Lock Receptacle *PR7= 7-pin Twist Lock Receptacle |

*Twist Lock Controls ordered separately. c-Max compatibility disabled when twist lock options are chosen.

Product Video:

<https://youtu.be/9v0Bgk9qBws>



c-Max Installation Video:

https://youtu.be/NyXByIJZD_w



Accessories

| MODEL NUMBER (FIELD INSTALLABLE) | ORDER CODE | DESCRIPTION | IMAGE |
|----------------------------------|------------|--|---|
| RPA3-B | 106239 | 3" Round pole adaptor, Labor saving slotted drill pattern, Bronze |  |
| RPA4-B | 106240 | 4" Round pole adaptor, Labor saving slotted drill pattern, Bronze |  |
| RPA5-B | 106241 | 5" Round pole adaptor, Labor saving slotted drill pattern, Bronze |  |
| CN-RDPCB | 105569 | c-Max Photocell node round, Bronze, IP66, Used with control ready fixtures |  |
| CN-RDMSB | 105566 | c-Max Control node round, PIR Motion sensor/photocell, Bronze, IP66, Used with control ready fixtures* |  |
| CN-REMOTE | 105567 | c-Max Remote Control, at least 1 per project to program motion sensor (CN-RDMSB) |  |
| NN-RDB | 105897 | Network Node Round, Bronze** |  |
| NN-RDMPB | 108255 | Network Node Round, PIR Motion Sensor, Photocell, Bronze** |  |
| MBLS40-55W | 106258 | M Series Back Light Shield 40/55W ¹ |  |
| MBLS75-100W | 106303 | M Series Back Light Shield 75/100W ¹ |  |
| MBLS125W+ | 106304 | M Series Back Light Shield 125W+, order 1 for 125/150W, 2 for 200W+ versions ¹ |  |
| MVCL40-55W | 106305 | M Series Visual Comfort Lens 40/55W ¹ | |
| MVCL75-100W | 106306 | M Series Visual Comfort Lens 75/100W ¹ | |
| MVCL125W+ | 106307 | M Series Visual Comfort Lens 125W+, order 1 for 125/150W, 2 for 200W+ versions ¹ | |
| MVISOR40-55W | 106321 | M Series - top/bottom Visor 40/55W, Bronze ¹ | |
| MVISOR75-100W | 106322 | M Series - top/bottom Visor 75/100W, Bronze ¹ | |
| MVISOR125-150W | 106323 | M Series - top/bottom Visor 125/150W, Bronze ¹ | |
| MVISOR200-320W | 106324 | M Series - top/bottom Visor 200/250/320W, Bronze ¹ | |

¹Requires at least 1 remote control (CN-REMOTE) per project to program

**Requires c-Max Ann



M Series

Specifications

| | M40 | M55 | M75 | M100 | M125 | M150 | M200 | M250 | M320 |
|---|---|---------------|-----------------------|-----------------|---|-----------------|-----------------|-----------------------|-----------------------|
| | DETAILS | | | | | | | | |
| Nominal Wattage (W) | 40 | 55 | 75 | 100 | 125 | 150 | 200 | 250 | 320 |
| CCT | Selectable between 3000K, 4000K or 5000K | | | | | | | | |
| CRI | ≥70 (80 available as a special) | | | | | | | | |
| Lumens Type 3G | 5,050 - 5,350 | 6,890 - 7,290 | 9,470 - 10,030 | 12,160 - 12,880 | 18,050 - 19,120 | 20,350 - 21,550 | 28,050 - 29,720 | 35,210 - 37,300 | 44,440 - 47,070 |
| BUG Rating | B2-U0-G0 | B2-U0-G1 | B3-U0-G1 | B3-U0-G1 | B3-U0-G1 | B3-U0-G1 | B4-U0-G1 | B4-U0-G1 | B5-U0-G1 |
| Lumens Type 3M | 4970 - 5,260 | 6,770 - 7,170 | 9,310 - 9,860 | 11,960 - 12,670 | 17,750 - 18,800 | 20,010 - 21,200 | 27,590 - 29,220 | 34,630 - 36,690 | 43,700 - 46,290 |
| BUG Rating | B1-U0-G1 | B1-U0-G2 | B2-U0-G2 | B2-U0-G2 | B2-U0-G3 | B2-U0-G3 | B3-U0-G4 | B3-U0-G4 ² | B4-U0-G5 ³ |
| Lumens Type 4N | 4,850 - 5,140 | 6,620 - 7,010 | 9,100 - 9,640 | 11,680 - 12,380 | 17,340 - 18,370 | 19,550 - 20,710 | 26,950 - 28,550 | 33,830 - 35,840 | 42,690 - 45,230 |
| BUG Rating | B1-U0-G1 | B1-U0-G2 | B1-U0-G2 | B2-U0-G2 | B2-U0-G3 | B2-U0-G3 | B3-U0-G4 | B3-U0-G4 | B3-U0-G5 |
| Lumens Type 4W | 4,830 - 5,120 | 6,590 - 6,980 | 9,060 - 9,590 | 11,630 - 12,330 | 17,270 - 18,290 | 19,470 - 20,620 | 26,840 - 28,430 | 33,690 - 35,690 | 42,510 - 45,040 |
| BUG Rating | B1-U0-G2 | B1-U0-G2 | B2-U0-G2 ¹ | B2-U0-G3 | B2-U0-G5 | B2-U0-G5 | B3-U0-G5 | B3-U0-G5 | B3-U0-G5 |
| Lumens Type 5S | 5,080 - 5,380 | 6,930 - 7,350 | 9,530 - 10,100 | 12,260 - 12,990 | 18,300 - 19,390 | 20,620 - 21,840 | 28,440 - 30,130 | 35,680 - 37,800 | 45,050 - 47,730 |
| BUG Rating | B2-U0-G1 | B3-U0-G1 | B3-U0-G1 | B3-U0-G2 | B4-U0-G2 | B4-U0-G2 | B5-U0-G3 | B5-U0-G3 | B5-U0-G4 |
| Flood Beam Spread | 6x7 (113°x123.5°) | | | | | | | | |
| Lumens Type N | 4,870 - 5,160 | 6,650 - 7,040 | 9,140 - 9,680 | 11,740 - 12,440 | 17,420 - 18,460 | 19,640 - 20,810 | 27,090 - 28,690 | 34,000 - 36,020 | 45,900 - 45,450 |
| Flood Beam Spread | 4x4 (25°x25°) | | | | | | | | |
| Lumens Type W (5G) | 5,140 - 5,450 | 7,010 - 7,430 | 9,640 - 10,210 | 12,380 - 13,120 | 18,380 - 19,470 | 20,720 - 21,950 | 28,560 - 30,260 | 35,860 - 37,980 | 45,240 - 47,930 |
| BUG Rating | B2-U0-G0 | B3-U0-G0 | B3-U0-G1 | B3-U0-G1 | B4-U0-G1 | B4-U0-G1 | B5-U0-G1 | B5-U0-G1 | B5-U0-G1 |
| Flood Beam Spread | 6x6 (96°x106°) | | | | | | | | |
| Efficacy (lm/W) | 122 - 144 | 124 - 145 | 125 - 146 | 124 - 146 | 131 - 154 | 134 - 157 | 135 - 159 | 134 - 157 | 133 - 156 |
| Dimming | 0-10V and High-end trim (with controls) | | | | | | | | |
| Power Factor | ≥0.90 | | | | | | | | |
| Input Voltage | 120-277V, 277-480V option | | | | | | | | |
| Surge Protection | Standard: 6kV, Special order for 20kA | | | | Std: 120-277V 10kA, 277-480V 20kA; Special order 120-277V 20k | | | | |
| Housing & Mounting | Die Cast Aluminum with corrosion resistant powder coat finish | | | | | | | | |
| Lens | UV stabilized polycarbonate | | | | | | | | |
| EPA (sq ft) - 0° (Horizontal) / 90° (Vertical) | 0.19/0.81 | | 0.24/1.32 | | 0.25/2.05 | | 0.41/3.13 | | |
| Operating Temperature | -40°F to 104°F (-40°C to 40°C) | | | | | | | | |
| Listings | DLC Premium, FCC, cULus, RoHS, T24 Compliant | | | | | | | | |
| Environment | Wet listed, IP66 | | | | Wet listed, IP65 | | | | |
| Warranty | 10 Years | | | | | | | | |

¹ 3K is B1-U0-G2

² 4K is B3-U0-G5

³ 3K is B3-U0-G5



M Series

DLC Listings

| WATTAGE | PRIMARY USE | PRODUCT ID |
|---------------|---|------------|
| M40, 3G lens | Outdoor Pole/Arm-Mounted Area & Roadway | PR3VMOTQ |
| M40, 3M lens | Outdoor Pole/Arm-Mounted Area & Roadway | PIO7T85U |
| M40, 4N lens | Outdoor Pole/Arm-Mounted Area & Roadway | PWBY8U3Y |
| M40, 4W lens | Outdoor Pole/Arm-Mounted Area & Roadway | PVPBCQE5 |
| M40, 5S lens | Outdoor Pole/Arm-Mounted Area & Roadway | P96QU0VW |
| M40, W lens | Outdoor Pole/Arm-Mounted Area & Roadway | P9IRR02R |
| M55, 3G lens | Outdoor Pole/Arm-Mounted Area & Roadway | PLY8SMJW |
| M55, 3M lens | Outdoor Pole/Arm-Mounted Area & Roadway | PCM4IUV |
| M55, 4N lens | Outdoor Pole/Arm-Mounted Area & Roadway | PRL20GOP |
| M55, 4W lens | Outdoor Pole/Arm-Mounted Area & Roadway | PI1H22M |
| M55, 5S lens | Outdoor Pole/Arm-Mounted Area & Roadway | PCHRAFPG |
| M55, W lens | Outdoor Pole/Arm-Mounted Area & Roadway | P2RPWQKA |
| M75, 3G lens | Outdoor Pole/Arm-Mounted Area & Roadway | P5Z7GVDA |
| M75, 3M lens | Outdoor Pole/Arm-Mounted Area & Roadway | PS6Q8ZSD |
| M75, 4N lens | Outdoor Pole/Arm-Mounted Area & Roadway | PFZRYV0Q |
| M75, 4W lens | Outdoor Pole/Arm-Mounted Area & Roadway | PNT3M0UF |
| M75, 5S lens | Outdoor Pole/Arm-Mounted Area & Roadway | PDCS2GG3 |
| M75, W lens | Outdoor Pole/Arm-Mounted Area & Roadway | PA6WVV7E |
| M100, 3G lens | Outdoor Pole/Arm-Mounted Area & Roadway | PIHUT8TL |
| M100, 3M lens | Outdoor Pole/Arm-Mounted Area & Roadway | PMOYGRV3 |
| M100, 4N lens | Outdoor Pole/Arm-Mounted Area & Roadway | PQU5CN6B |
| M100, 4W lens | Outdoor Pole/Arm-Mounted Area & Roadway | PTF38DFA |
| M100, 5S lens | Outdoor Pole/Arm-Mounted Area & Roadway | POSEKAA3 |
| M100, W lens | Outdoor Pole/Arm-Mounted Area & Roadway | P4OHSIJE |
| M125, 3G lens | Outdoor Pole/Arm-Mounted Area & Roadway | PE7Y2CCZ |
| M125, 3M lens | Outdoor Pole/Arm-Mounted Area & Roadway | PNSSDTTC |
| M125, 4N lens | Outdoor Pole/Arm-Mounted Area & Roadway | P3RX1423 |
| M125, 4W lens | Outdoor Pole/Arm-Mounted Area & Roadway | PL1332KS |
| M125, 5S lens | Outdoor Pole/Arm-Mounted Area & Roadway | PTJQVGWC |
| M125, W lens | Outdoor Pole/Arm-Mounted Area & Roadway | PML6UAPM |
| M150, 3G lens | Outdoor Pole/Arm-Mounted Area & Roadway | PXM7319X |
| M150, 3M lens | Outdoor Pole/Arm-Mounted Area & Roadway | P6JGV1PU |
| M150, 4N lens | Outdoor Pole/Arm-Mounted Area & Roadway | PHMB25J1 |
| M150, 4W lens | Outdoor Pole/Arm-Mounted Area & Roadway | PSJ9VTV4 |
| M150, 5S lens | Outdoor Pole/Arm-Mounted Area & Roadway | PWIFLPWO |
| M150, W lens | Outdoor Pole/Arm-Mounted Area & Roadway | PFSQ4DFD |
| M200, 3G lens | Outdoor Pole/Arm-Mounted Area & Roadway | P14PJ14H |
| M200, 3M lens | Outdoor Pole/Arm-Mounted Area & Roadway | PRTH0HOP |
| M200, 4N lens | Outdoor Pole/Arm-Mounted Area & Roadway | PLP5YZO5 |
| M200, 4W lens | Outdoor Pole/Arm-Mounted Area & Roadway | P7E6DQVK |

| WATTAGE | PRIMARY USE | PRODUCT ID |
|---------------|---|------------|
| M200, 5S lens | Outdoor Pole/Arm-Mounted Area & Roadway | PBIEFS7V |
| M200, W lens | Outdoor Pole/Arm-Mounted Area & Roadway | PV8Q3L9O |
| M250, 3G lens | Outdoor Pole/Arm-Mounted Area & Roadway | PCQW4VUX |
| M250, 3M lens | Outdoor Pole/Arm-Mounted Area & Roadway | PT0JUAW4 |
| M250, 4N lens | Outdoor Pole/Arm-Mounted Area & Roadway | PTZ6CK9L |
| M250, 4W lens | Outdoor Pole/Arm-Mounted Area & Roadway | PXYC8361 |
| M250, 5S lens | Outdoor Pole/Arm-Mounted Area & Roadway | PH3RU51J |
| M250, W lens | Outdoor Pole/Arm-Mounted Area & Roadway | PE0M6MSO |
| M320, 3G lens | Outdoor Pole/Arm-Mounted Area & Roadway | POFOOQ18 |
| M320, 3M lens | Outdoor Pole/Arm-Mounted Area & Roadway | PWNT7RTQ |
| M320, 4N lens | Outdoor Pole/Arm-Mounted Area & Roadway | P6I9ZGT8 |
| M320, 4W lens | Outdoor Pole/Arm-Mounted Area & Roadway | PBN5XXBB |
| M320, 5S lens | Outdoor Pole/Arm-Mounted Area & Roadway | POKYKDCW |
| M320, W lens | Outdoor Pole/Arm-Mounted Area & Roadway | PQ4VAAGG |
| M40, 3G lens | Outdoor Full-Cutoff Wall-Mounted | P5Y151JQ |
| M40, 3M lens | Outdoor Full-Cutoff Wall-Mounted | PKURGJ38 |
| M40, 4N lens | Outdoor Full-Cutoff Wall-Mounted | PLD07NKW |
| M40, 4W lens | Outdoor Full-Cutoff Wall-Mounted | P4NIBPXX |
| M55, 3G lens | Outdoor Full-Cutoff Wall-Mounted | PWG0XLZH |
| M55, 3M lens | Outdoor Full-Cutoff Wall-Mounted | P91SSRKF |
| M55, 4N lens | Outdoor Full-Cutoff Wall-Mounted | PGIFUBRK |
| M55, 4W lens | Outdoor Full-Cutoff Wall-Mounted | P3G4C0V1 |
| M75, 3G lens | Outdoor Full-Cutoff Wall-Mounted | PN6T11KE |
| M75, 3M lens | Outdoor Full-Cutoff Wall-Mounted | P0QJEATU |
| M75, 4N lens | Outdoor Full-Cutoff Wall-Mounted | PU4WUWJ3 |
| M75, 4W lens | Outdoor Full-Cutoff Wall-Mounted | P26EHA8E |
| M100, 3G lens | Outdoor Full-Cutoff Wall-Mounted | P5GDOKB8 |
| M100, 3M lens | Outdoor Full-Cutoff Wall-Mounted | P37EVAVN |
| M100, 4N lens | Outdoor Full-Cutoff Wall-Mounted | PPVFERNP |
| M100, 4W lens | Outdoor Full-Cutoff Wall-Mounted | PRO3KZ3Z |
| M125, 3G lens | Outdoor Full-Cutoff Wall-Mounted | PI826IXI |
| M125, 3M lens | Outdoor Full-Cutoff Wall-Mounted | P6GH02CN |
| M125, 4N lens | Outdoor Full-Cutoff Wall-Mounted | PXWE8IQW |
| M125, 4W lens | Outdoor Full-Cutoff Wall-Mounted | PH6YCJQG |
| M150, 3G lens | Outdoor Full-Cutoff Wall-Mounted | PVZ943MM |
| M150, 3M lens | Outdoor Full-Cutoff Wall-Mounted | PPDKSK5W |
| M150, 4N lens | Outdoor Full-Cutoff Wall-Mounted | P1G5I0JU |
| M150, 4W lens | Outdoor Full-Cutoff Wall-Mounted | PICFYMI6 |
| M200, 3G lens | Outdoor Full-Cutoff Wall-Mounted | P9XV6Y1B |
| M200, 3M lens | Outdoor Full-Cutoff Wall-Mounted | PHDN00TV |

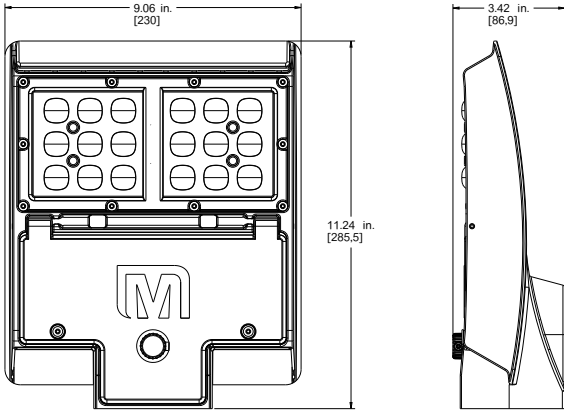
M Series

DLC Listings

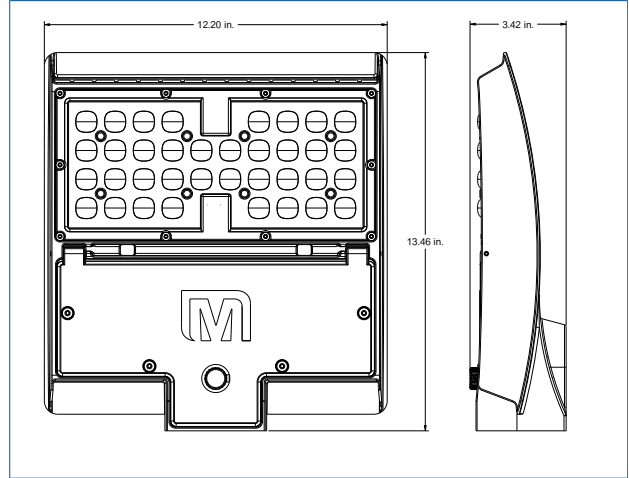
| WATTAGE | PRIMARY USE | PRODUCT ID |
|---------------|----------------------------------|------------|
| M200, 4N lens | Outdoor Full-Cutoff Wall-Mounted | P9NV5H5K |
| M200, 4W lens | Outdoor Full-Cutoff Wall-Mounted | PBTXV4DQ |
| M250, 3G lens | Outdoor Full-Cutoff Wall-Mounted | PRFIHADG |
| M250, 3M lens | Outdoor Full-Cutoff Wall-Mounted | PCH7IS3Q |
| M250, 4N lens | Outdoor Full-Cutoff Wall-Mounted | PHR4UK3U |
| M250, 4W lens | Outdoor Full-Cutoff Wall-Mounted | PLF547FE |
| M320, 3G lens | Outdoor Full-Cutoff Wall-Mounted | PPZXJYBX |
| M320, 3M lens | Outdoor Full-Cutoff Wall-Mounted | PKB73CAI |
| M320, 4N lens | Outdoor Full-Cutoff Wall-Mounted | PPF38F78 |
| M320, 4W lens | Outdoor Full-Cutoff Wall-Mounted | PR25RP61 |
| M40, 5S lens | Architectural Flood and Spot | P9082B3M |
| M40, N lens | Architectural Flood and Spot | PIZVRDRB |
| M40, W lens | Architectural Flood and Spot | P03KCLIO |
| M55, 5S lens | Architectural Flood and Spot | P1WEFKCO |
| M55, N lens | Architectural Flood and Spot | PLLZ8GZF |
| M55, W lens | Architectural Flood and Spot | P57QBIY2 |
| M75, 5S lens | Architectural Flood and Spot | P5VKKGAD |
| M75, N lens | Architectural Flood and Spot | PNHUVF6 |
| M75, W lens | Architectural Flood and Spot | P18P7JWP |
| M100, 5S lens | Architectural Flood and Spot | PB5RHZ5S |
| M100, N lens | Architectural Flood and Spot | PP0RFF6Y |
| M100, W lens | Architectural Flood and Spot | PNSQCL5Y |
| M125, 5S lens | Architectural Flood and Spot | P8C38AL4 |
| M125, N lens | Architectural Flood and Spot | P7ZAR4NT |
| M125, W lens | Architectural Flood and Spot | PVSQOL93 |
| M150, 5S lens | Architectural Flood and Spot | P33TW4E4 |
| M150, N lens | Architectural Flood and Spot | PTNZAYPW |
| M150, W lens | Architectural Flood and Spot | P1APKWTX |
| M200, 5S lens | Architectural Flood and Spot | PQDK7DDB |
| M200, N lens | Architectural Flood and Spot | P3NO2N9W |
| M200, W lens | Architectural Flood and Spot | PQ5DLK2C |
| M250, 5S lens | Architectural Flood and Spot | PVO7HW7C |
| M250, N lens | Architectural Flood and Spot | P1W75AHC |
| M250, W lens | Architectural Flood and Spot | P95PFAQ5 |
| M320, 5S lens | Architectural Flood and Spot | PIF8M3ZI |
| M320, N lens | Architectural Flood and Spot | POFV7KLU |
| M320, W lens | Architectural Flood and Spot | PA6BSOOQ |

M Series

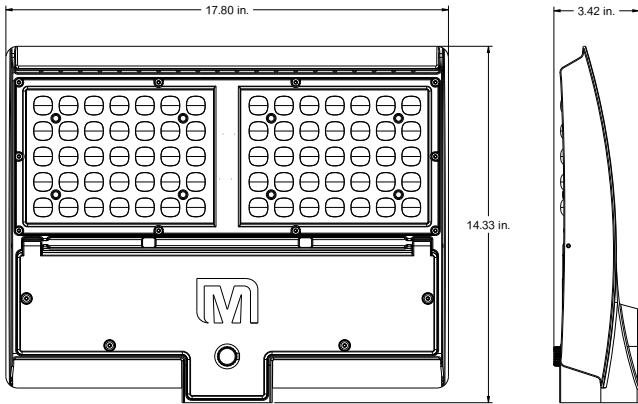
Dimensions



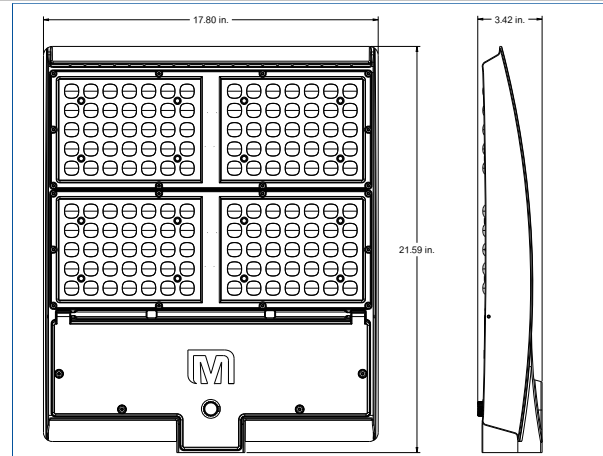
40W/55W



75W/100W



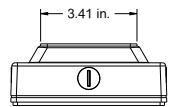
125W/150W



200W/250W/320W



Battery Backup Box



Fixed Wall Mount Bracket

M Series

Mounting



Flexible (Adjustable) Square Arm



Straight Square Arm



Round Pole Adapter (RPA) 3"



Round Pole Adapter (RPA) 4"



Round Pole Adapter (RPA) 5"



Slipfitter Arm (fits 2 3/8"-3" OD)



Variable (adjustable) Wall Mount

M Series

ISOFOOTCANDLE:

Each gridline represents one mounting height.
For mounting heights other than noted multiply FC by the below factor.

$$\frac{(\text{Chart's Mtg Height})^2}{(\text{Actual Mtg Height})^2}$$

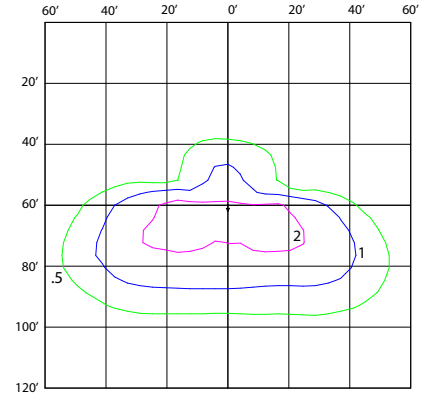
LEGEND

- 0.5 fc
- 1 fc
- 2 fc
- 5 fc
- 10 fc
- 20 fc

55W - 20' MOUNTING HEIGHT:



3G (TYPE 3 LOW GLARE)



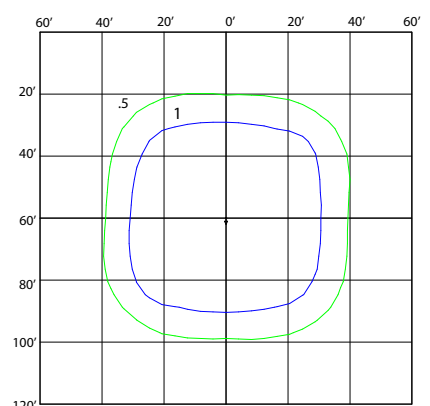
3M (TYPE 3 MEDIUM)



4N (TYPE 4 NARROW)



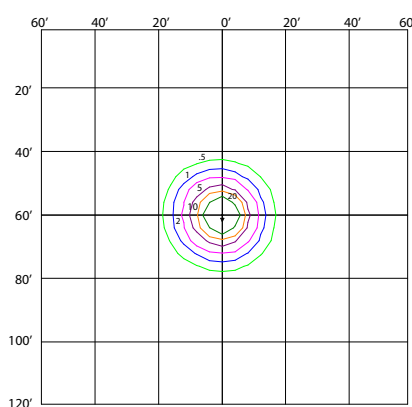
4W (TYPE 4 WIDE)



5S (TYPE 5 SQUARE/WIDE 6X7)



W (WIDE 6X6/TYPER 5 LOW GLARE)



N (NARROW 4X4)

M Series

100W - 25' MOUNTING HEIGHT:



3G (TYPE 3 LOW GLARE)



3M (TYPE 3 MEDIUM)



4N (TYPE 4 NARROW)



4W (TYPE 4 WIDE)



5S (TYPE 5 SQUARE/WIDE 6X7)



W (WIDE 6X6/TYPE 5 LOW GLARE)



N (NARROW 4X4)

M Series

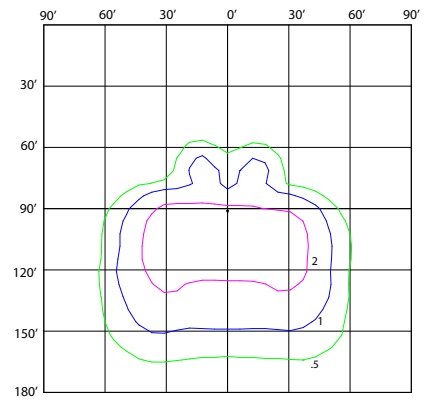
150W - 30' MOUNTING HEIGHT:



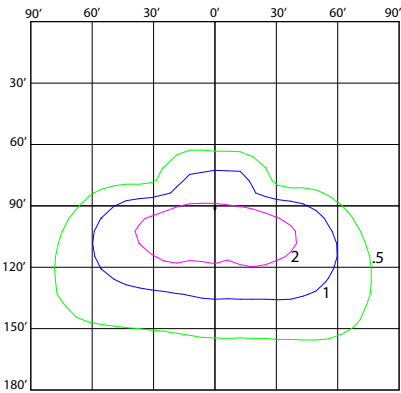
3G (TYPE 3 LOW GLARE)



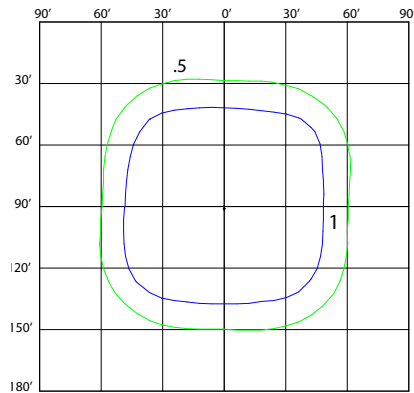
3M (TYPE 3 MEDIUM)



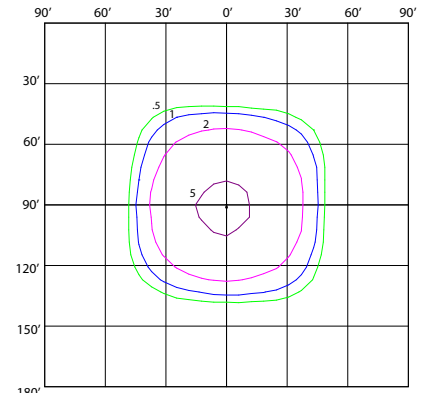
4N (TYPE 4 NARROW)



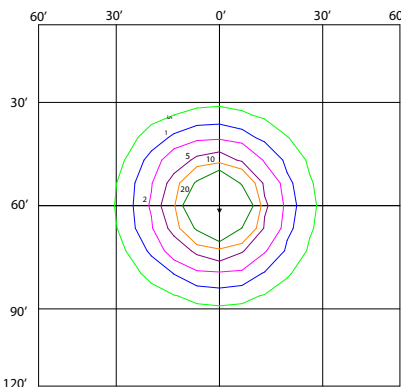
4W (TYPE 4 WIDE)



5S (TYPE 5 SQUARE/WIDE 6X7)



W (WIDE 6X6/TYPE 5 LOW GLARE)



N (NARROW 4X4)

M Series

320W - 40' MOUNTING HEIGHT:



3G (TYPE 3 LOW GLARE)



3M (TYPE 3 MEDIUM)



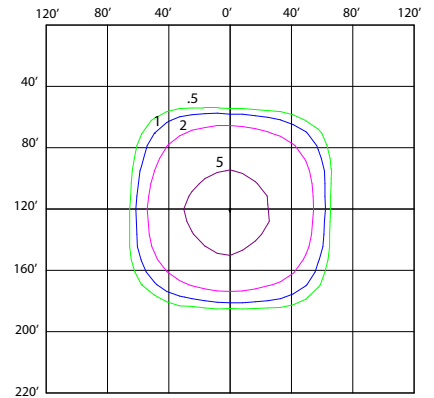
4N (TYPE 4 NARROW)



4W (TYPE 4 WIDE)



5S (TYPE 5 SQUARE/WIDE 6X7)



W (WIDE 6X6/TYPE 5 LOW GLARE)



N (NARROW 4X4)