

PROJECT NAME: \_\_\_\_\_ CAT. #: \_\_\_\_\_  
 NOTES: \_\_\_\_\_ FIXTURE SCHEDULE: \_\_\_\_\_

# M Series



125/150W  
STRAIGHT ARM



200/250/320W  
FLEXIBLE ARM WITH C-MAX



125/150W  
KNUCKLE SLIPFITTER



75/100W  
TRUNNION



40/55W  
FIXED WALL



40/55W VARIABLE  
(ADJUSTABLE) WALL WITH C-MAX



40/55W FIXED WALL WITH EM  
(BATTERY BACKUP)



## Product Description:

The M Series product family provides a slim, clean design with tremendous versatility for outdoor lighting applications. A singular housing thrives as either an Area, Flood or Wall fixture depending on the optics and mounting selected. The standard product is CCT selectable, enabling the customer to choose from 3 color temperatures in a single product. It also includes a controls ready receptacle that allows the customer to add either basic controls, such as an on/off photocell or motion sensor, or network control nodes for grouping and more sophisticated control functions. Beyond the standard features, additional options and accessories include high voltage (277-480V), battery backup, visual comfort lens, back light shield and visors. The M Series family provides a comprehensive site design solution for your outdoor lighting needs.

## Installation:

- 6 mountings available - straight arm, flexible arm, knuckle slipfitter, trunnion, variable (adjustable) wall, fixed wall

## Construction:

- Die cast aluminum housing with corrosion resistant polyester powder coat finish
- UV stabilized polycarbonate lens

## Application:

- Area - 6 optics: Type 3 Medium, Type 4 Narrow, Type 4 Wide, Type 5 Square, Types 3 & 5 Low Glare
- Flood - 3 optics: Narrow 4x4, Concentrated Wide 6x6, and Soft Wide 6x7
- Wall - 4 optics: Type 3 Medium and Low Glare, Type 4 Narrow and Wide

## Mounting:

- Arms feature labor saving slot design
- Slipfitter fits 2 3/8" - 3" OD tenons and bull horns
- Round pole adapters for 3", 4" and 5" round poles



Mounting Arms include labor saving slot pattern

## Features:

- Covers 3 applications - Area, Flood and Wall
- 4 sizes, 9 wattages – 40/55W, 75/100W, 125/150W and 200/250/320W
- Multiple mounting options for wall, area and flood applications
- Comprehensive range of optic choices for area, flood and wall design requirements
- HV – 277-480V option
- CCT Selection – 3000/4000/5000K
- Compatible with field installable c-Max controls
- Avi-On controls compatible (factory installed)
- TAA Compliant



**10-year standard warranty with labor allowance** (further details available at [www.maxlite.com/warranties](http://www.maxlite.com/warranties))

Warranty Limitations: Product must be rated for application per the Product Data Sheet (PDS); operated ≤16 hrs; in ambient temperatures -4°F to 77°F. If ambient temperatures fall outside the -4°F to 77°F range, product is warrantied for 5 years according to the operating temperature range specified on the PDS. Up to \$25/unit; registration required. Additional coverage may be available for purchase; contact MaxLite. Excludes EM/MS versions: component warranty applies.

# M Series

## Ordering Information

| FAMILY             | WATTAGE  | VOLTAGE                                  | DISTRIBUTION   | - | CCT                        | COLOR   | MOUNTING   |
|--------------------|--|--|--|---|----------------------------|---|--|
| <b>M=</b> M Series | <b>40=</b> 40W<br><b>55=</b> 55W<br><b>75=</b> 75W<br><b>100=</b> 100W<br><b>125=</b> 125W<br><b>150=</b> 150W<br><b>200=</b> 200W<br><b>250=</b> 250W<br><b>320=</b> 320W | <b>U=</b> 120-277V<br><b>H=</b> 277-480V | <b>3G=</b> Type 3 Low Glare<br><b>3M=</b> Type 3 Medium<br><b>4N=</b> Type 4 Narrow<br><b>4W=</b> Type 4 Wide<br><b>5S=</b> Type 5 Square/Flood Soft Wide (6x7)<br><b>N=</b> Narrow Flood (4x4)<br><b>W=</b> Flood Concentrated Wide (6x6), Type 5 Low Glare |   | <b>CS=</b> 3000/4000/5000K | <b>B=</b> Dark Bronze<br><i>Contact Maxlite for additional finishes</i> | <b>1A=</b> Straight Arm, Pole Mount<br><b>1F=</b> Flexible Arm, Pole Mount<br><b>2K=</b> Knuckle Slip Fitter<br><b>T=</b> Trunnion<br><b>V=</b> Variable (Adjustable) Wall Mount<br><b>W=</b> Fixed Wall Mount |

<sup>1</sup>Features labor saving slot pattern  
<sup>2</sup>Covers 2 3/8" - 3" OD

| OPTIONS   | EM OPTIONS (FACTORY INSTALLED)   | OTHER CONTROLS   |
|---|--|--|
| <b>CR=</b> Controls Ready, C-Max Compatible<br><b>AV=</b> Avi-on Controls (factory installed) | <b>E0=</b> Battery Backup, 0°C, Wall Applications Only<br><b>E2=</b> Battery Backup, -20°C, Wall Applications Only | <b>*RPC=</b> 3-pin Twist Lock Receptacle<br><b>*PR7=</b> 7-pin Twist Lock Receptacle |

\*Twist Lock Controls ordered separately. c-Max compatibility disabled when twist lock options are chosen.

### Product Video:

<https://youtu.be/9v0Bgk9qBws>



### c-Max Installation Video:

[https://youtu.be/NyXByIJZD\\_w](https://youtu.be/NyXByIJZD_w)



## Accessories

| MODEL NUMBER (FIELD INSTALLABLE) | ORDER CODE | DESCRIPTION  | IMAGE   |
|----------------------------------|------------|--|---|
| RPA3-B                           | 106239     | 3" Round pole adaptor, Labor saving slotted drill pattern, Bronze                                      |   |
| RPA4-B                           | 106240     | 4" Round pole adaptor, Labor saving slotted drill pattern, Bronze                                      |  |
| RPA5-B                           | 106241     | 5" Round pole adaptor, Labor saving slotted drill pattern, Bronze                                      |   |
| CN-RDPCB                         | 105569     | c-Max Photocell node round, Bronze, IP66, Used with control ready fixtures                             |  |
| CN-RDMSB                         | 105566     | c-Max Control node round, PIR Motion sensor/photocell, Bronze, IP66, Used with control ready fixtures* |  |
| CN-REMOTE                        | 105567     | c-Max Remote Control, at least 1 per project to program motion sensor (CN-RDMSB)                       |  |
| NN-RDB                           | 105897     | Network Node Round, Bronze**   |  |
| NN-RDMPB                         | 108255     | Network Node Round, PIR Motion Sensor, Photocell, Bronze**   |  |
| MBLS40-55W                       | 106258     | M Series Back Light Shield 40/55W <sup>1</sup>   |   |
| MBLS75-100W                      | 106303     | M Series Back Light Shield 75/100W <sup>1</sup>  |  |
| MBLS125W+                        | 106304     | M Series Back Light Shield 125W+, order 1 for 125/150W, 2 for 200W+ versions <sup>1</sup>              |   |
| MVCL40-55W                       | 106305     | M Series Visual Comfort Lens 40/55W <sup>1</sup>   |   |
| MVCL75-100W                      | 106306     | M Series Visual Comfort Lens 75/100W <sup>1</sup>  |  |
| MVCL125W+                        | 106307     | M Series Visual Comfort Lens 125W+, order 1 for 125/150W, 2 for 200W+ versions <sup>1</sup>            |   |
| MVISOR40-55W                     | 106321     | M Series - top/bottom Visor 40/55W, Bronze <sup>1</sup>  |   |
| MVISOR75-100W                    | 106322     | M Series - top/bottom Visor 75/100W, Bronze <sup>1</sup>   |  |
| MVISOR125-150W                   | 106323     | M Series - top/bottom Visor 125/150W, Bronze <sup>1</sup>  |   |
| MVISOR200-320W                   | 106324     | M Series - top/bottom Visor 200/250/320W, Bronze <sup>1</sup>  |   |

<sup>1</sup>Requires at least 1 remote control (CN-REMOTE) per project to program  
<sup>2</sup>Requires c-Max Ann



# M Series

## Specifications

|   | M40   | M55           | M75                   | M100            | M125  | M150            | M200            | M250                  | M320                  |
|---|---|---------------|-----------------------|-----------------|---|-----------------|-----------------|-----------------------|-----------------------|
|   | <b>DETAILS</b>  |               |                       |                 |   |                 |                 |                       |                       |
| <b>Nominal Wattage (W)</b>                            | 40  | 55            | 75                    | 100             | 125   | 150             | 200             | 250                   | 320                   |
| <b>CCT</b>  | Selectable between 3000K, 4000K or 5000K                      |               |                       |                 |   |                 |                 |                       |                       |
| <b>CRI</b>  | ≥70 (80 available as a special)                               |               |                       |                 |   |                 |                 |                       |                       |
| <b>Lumens Type 3G</b>                                 | 5,050 - 5,350   | 6,890 - 7,290 | 9,470 - 10,030        | 12,160 - 12,880 | 18,050 - 19,120   | 20,350 - 21,550 | 28,050 - 29,720 | 35,210 - 37,300       | 44,440 - 47,070       |
| <b>BUG Rating</b>                                     | B2-U0-G0  | B2-U0-G1      | B3-U0-G1              | B3-U0-G1        | B3-U0-G1  | B3-U0-G1        | B4-U0-G1        | B4-U0-G1              | B5-U0-G1              |
| <b>Lumens Type 3M</b>                                 | 4970 - 5,260  | 6,770 - 7,170 | 9,310 - 9,860         | 11,960 - 12,670 | 17,750 - 18,800   | 20,010 - 21,200 | 27,590 - 29,220 | 34,630 - 36,690       | 43,700 - 46,290       |
| <b>BUG Rating</b>                                     | B1-U0-G1  | B1-U0-G2      | B2-U0-G2              | B2-U0-G2        | B2-U0-G3  | B2-U0-G3        | B3-U0-G4        | B3-U0-G4 <sup>2</sup> | B4-U0-G5 <sup>3</sup> |
| <b>Lumens Type 4N</b>                                 | 4,850 - 5,140   | 6,620 - 7,010 | 9,100 - 9,640         | 11,680 - 12,380 | 17,340 - 18,370   | 19,550 - 20,710 | 26,950 - 28,550 | 33,830 - 35,840       | 42,690 - 45,230       |
| <b>BUG Rating</b>                                     | B1-U0-G1  | B1-U0-G2      | B1-U0-G2              | B2-U0-G2        | B2-U0-G3  | B2-U0-G3        | B3-U0-G4        | B3-U0-G4              | B3-U0-G5              |
| <b>Lumens Type 4W</b>                                 | 4,830 - 5,120   | 6,590 - 6,980 | 9,060 - 9,590         | 11,630 - 12,330 | 17,270 - 18,290   | 19,470 - 20,620 | 26,840 - 28,430 | 33,690 - 35,690       | 42,510 - 45,040       |
| <b>BUG Rating</b>                                     | B1-U0-G2  | B1-U0-G2      | B2-U0-G2 <sup>1</sup> | B2-U0-G3        | B2-U0-G5  | B2-U0-G5        | B3-U0-G5        | B3-U0-G5              | B3-U0-G5              |
| <b>Lumens Type 5S</b>                                 | 5,080 - 5,380   | 6,930 - 7,350 | 9,530 - 10,100        | 12,260 - 12,990 | 18,300 - 19,390   | 20,620 - 21,840 | 28,440 - 30,130 | 35,680 - 37,800       | 45,050 - 47,730       |
| <b>BUG Rating</b>                                     | B2-U0-G1  | B3-U0-G1      | B3-U0-G1              | B3-U0-G2        | B4-U0-G2  | B4-U0-G2        | B5-U0-G3        | B5-U0-G3              | B5-U0-G4              |
| <b>Flood Beam Spread</b>                              | 6x7 (113°x123.5°)   |               |                       |                 |   |                 |                 |                       |                       |
| <b>Lumens Type N</b>                                  | 4,870 - 5,160   | 6,650 - 7,040 | 9,140 - 9,680         | 11,740 - 12,440 | 17,420 - 18,460   | 19,640 - 20,810 | 27,090 - 28,690 | 34,000 - 36,020       | 45,900 - 45,450       |
| <b>Flood Beam Spread</b>                              | 4x4 (25°x25°)   |               |                       |                 |   |                 |                 |                       |                       |
| <b>Lumens Type W (5G)</b>                             | 5,140 - 5,450   | 7,010 - 7,430 | 9,640 - 10,210        | 12,380 - 13,120 | 18,380 - 19,470   | 20,720 - 21,950 | 28,560 - 30,260 | 35,860 - 37,980       | 45,240 - 47,930       |
| <b>BUG Rating</b>                                     | B2-U0-G0  | B3-U0-G0      | B3-U0-G1              | B3-U0-G1        | B4-U0-G1  | B4-U0-G1        | B5-U0-G1        | B5-U0-G1              | B5-U0-G1              |
| <b>Flood Beam Spread</b>                              | 6x6 (96°x106°)  |               |                       |                 |   |                 |                 |                       |                       |
| <b>Efficacy (lm/W)</b>                                | 122 - 144   | 124 - 145     | 125 - 146             | 124 - 146       | 131 - 154   | 134 - 157       | 135 - 159       | 134 - 157             | 133 - 156             |
| <b>Dimming</b>  | 0-10V and High-end trim (with controls)                       |               |                       |                 |   |                 |                 |                       |                       |
| <b>Power Factor</b>                                   | ≥0.90   |               |                       |                 |   |                 |                 |                       |                       |
| <b>Input Voltage</b>                                  | 120-277V, 277-480V option                                     |               |                       |                 |   |                 |                 |                       |                       |
| <b>Surge Protection</b>                               | Standard: 6kV, Special order for 20kA                         |               |                       |                 | Std: 120-277V 10kA, 277-480V 20kA; Special order 120-277V 20k |                 |                 |                       |                       |
| <b>Housing &amp; Mounting</b>                         | Die Cast Aluminum with corrosion resistant powder coat finish |               |                       |                 |   |                 |                 |                       |                       |
| <b>Lens</b>   | UV stabilized polycarbonate                                   |               |                       |                 |   |                 |                 |                       |                       |
| <b>EPA (sq ft) - 0° (Horizontal) / 90° (Vertical)</b> | 0.19/0.81   |               | 0.24/1.32             |                 | 0.25/2.05   |                 | 0.41/3.13       |                       |                       |
| <b>Operating Temperature</b>                          | -40°F to 104°F (-40°C to 40°C)                                |               |                       |                 |   |                 |                 |                       |                       |
| <b>Listings</b>                                       | DLC Premium, FCC, cULus, RoHS, T24 Compliant                  |               |                       |                 |   |                 |                 |                       |                       |
| <b>Environment</b>                                    | Wet listed, IP66  |               |                       |                 | Wet listed, IP65  |                 |                 |                       |                       |
| <b>Warranty</b>                                       | 10 Years  |               |                       |                 |   |                 |                 |                       |                       |

<sup>1</sup> 3K is B1-U0-G2

<sup>2</sup> 4K is B3-U0-G5

<sup>3</sup> 3K is B3-U0-G5



# M Series

## DLC Listings

| WATTAGE       | PRIMARY USE                             | PRODUCT ID |
|---------------|---|------------|
| M40, 3G lens  | Outdoor Pole/Arm-Mounted Area & Roadway | PR3VMOTQ   |
| M40, 3M lens  | Outdoor Pole/Arm-Mounted Area & Roadway | PIO7T85U   |
| M40, 4N lens  | Outdoor Pole/Arm-Mounted Area & Roadway | PWBY8U3Y   |
| M40, 4W lens  | Outdoor Pole/Arm-Mounted Area & Roadway | PVPBCQE5   |
| M40, 5S lens  | Outdoor Pole/Arm-Mounted Area & Roadway | P96QU0VW   |
| M40, W lens   | Outdoor Pole/Arm-Mounted Area & Roadway | P9IRR02R   |
| M55, 3G lens  | Outdoor Pole/Arm-Mounted Area & Roadway | PLY8SMJW   |
| M55, 3M lens  | Outdoor Pole/Arm-Mounted Area & Roadway | PCM4IUV    |
| M55, 4N lens  | Outdoor Pole/Arm-Mounted Area & Roadway | PRL20GOP   |
| M55, 4W lens  | Outdoor Pole/Arm-Mounted Area & Roadway | PI1H22M    |
| M55, 5S lens  | Outdoor Pole/Arm-Mounted Area & Roadway | PCHRAFPG   |
| M55, W lens   | Outdoor Pole/Arm-Mounted Area & Roadway | P2RPWQKA   |
| M75, 3G lens  | Outdoor Pole/Arm-Mounted Area & Roadway | P5Z7GVDA   |
| M75, 3M lens  | Outdoor Pole/Arm-Mounted Area & Roadway | PS6Q8ZSD   |
| M75, 4N lens  | Outdoor Pole/Arm-Mounted Area & Roadway | PFZRYV0Q   |
| M75, 4W lens  | Outdoor Pole/Arm-Mounted Area & Roadway | PNT3M0UF   |
| M75, 5S lens  | Outdoor Pole/Arm-Mounted Area & Roadway | PDCS2GG3   |
| M75, W lens   | Outdoor Pole/Arm-Mounted Area & Roadway | PA6WVV7E   |
| M100, 3G lens | Outdoor Pole/Arm-Mounted Area & Roadway | PIHUT8TL   |
| M100, 3M lens | Outdoor Pole/Arm-Mounted Area & Roadway | PMOYGRV3   |
| M100, 4N lens | Outdoor Pole/Arm-Mounted Area & Roadway | PQU5CN6B   |
| M100, 4W lens | Outdoor Pole/Arm-Mounted Area & Roadway | PTF38DFA   |
| M100, 5S lens | Outdoor Pole/Arm-Mounted Area & Roadway | POSEKAA3   |
| M100, W lens  | Outdoor Pole/Arm-Mounted Area & Roadway | P4OHSIJE   |
| M125, 3G lens | Outdoor Pole/Arm-Mounted Area & Roadway | PE7Y2CCZ   |
| M125, 3M lens | Outdoor Pole/Arm-Mounted Area & Roadway | PNSSDTTC   |
| M125, 4N lens | Outdoor Pole/Arm-Mounted Area & Roadway | P3RX1423   |
| M125, 4W lens | Outdoor Pole/Arm-Mounted Area & Roadway | PL1332KS   |
| M125, 5S lens | Outdoor Pole/Arm-Mounted Area & Roadway | PTJQVGWC   |
| M125, W lens  | Outdoor Pole/Arm-Mounted Area & Roadway | PML6UJPM   |
| M150, 3G lens | Outdoor Pole/Arm-Mounted Area & Roadway | PXM73I9X   |
| M150, 3M lens | Outdoor Pole/Arm-Mounted Area & Roadway | P6JGV1PU   |
| M150, 4N lens | Outdoor Pole/Arm-Mounted Area & Roadway | PHMB25J1   |
| M150, 4W lens | Outdoor Pole/Arm-Mounted Area & Roadway | PSJ9VTV4   |
| M150, 5S lens | Outdoor Pole/Arm-Mounted Area & Roadway | PWIFLPWO   |
| M150, W lens  | Outdoor Pole/Arm-Mounted Area & Roadway | PFSQ4DFD   |
| M200, 3G lens | Outdoor Pole/Arm-Mounted Area & Roadway | P14PJ14H   |
| M200, 3M lens | Outdoor Pole/Arm-Mounted Area & Roadway | PRTH0HOP   |
| M200, 4N lens | Outdoor Pole/Arm-Mounted Area & Roadway | PLP5YZO5   |
| M200, 4W lens | Outdoor Pole/Arm-Mounted Area & Roadway | P7E6DQVK   |

| WATTAGE       | PRIMARY USE                             | PRODUCT ID |
|---------------|---|------------|
| M200, 5S lens | Outdoor Pole/Arm-Mounted Area & Roadway | PBIEFS7V   |
| M200, W lens  | Outdoor Pole/Arm-Mounted Area & Roadway | PV8Q3L9O   |
| M250, 3G lens | Outdoor Pole/Arm-Mounted Area & Roadway | PCQW4VUX   |
| M250, 3M lens | Outdoor Pole/Arm-Mounted Area & Roadway | PT0JUAW4   |
| M250, 4N lens | Outdoor Pole/Arm-Mounted Area & Roadway | PTZ6CK9L   |
| M250, 4W lens | Outdoor Pole/Arm-Mounted Area & Roadway | PXYC8361   |
| M250, 5S lens | Outdoor Pole/Arm-Mounted Area & Roadway | PH3RU51J   |
| M250, W lens  | Outdoor Pole/Arm-Mounted Area & Roadway | PE0M6MSO   |
| M320, 3G lens | Outdoor Pole/Arm-Mounted Area & Roadway | POFOOQ18   |
| M320, 3M lens | Outdoor Pole/Arm-Mounted Area & Roadway | PWNT7RTQ   |
| M320, 4N lens | Outdoor Pole/Arm-Mounted Area & Roadway | P6I9ZGT8   |
| M320, 4W lens | Outdoor Pole/Arm-Mounted Area & Roadway | PBN5XXBB   |
| M320, 5S lens | Outdoor Pole/Arm-Mounted Area & Roadway | POKYKDCW   |
| M320, W lens  | Outdoor Pole/Arm-Mounted Area & Roadway | PQ4VAAGG   |
| M40, 3G lens  | Outdoor Full-Cutoff Wall-Mounted        | P5Y151JQ   |
| M40, 3M lens  | Outdoor Full-Cutoff Wall-Mounted        | PKURGJ38   |
| M40, 4N lens  | Outdoor Full-Cutoff Wall-Mounted        | PLD07NKW   |
| M40, 4W lens  | Outdoor Full-Cutoff Wall-Mounted        | P4NIBPXX   |
| M55, 3G lens  | Outdoor Full-Cutoff Wall-Mounted        | PWG0XLZH   |
| M55, 3M lens  | Outdoor Full-Cutoff Wall-Mounted        | P91SSRKF   |
| M55, 4N lens  | Outdoor Full-Cutoff Wall-Mounted        | PGIFUBRK   |
| M55, 4W lens  | Outdoor Full-Cutoff Wall-Mounted        | P3G4C0V1   |
| M75, 3G lens  | Outdoor Full-Cutoff Wall-Mounted        | PN6T11KE   |
| M75, 3M lens  | Outdoor Full-Cutoff Wall-Mounted        | P0QJEATU   |
| M75, 4N lens  | Outdoor Full-Cutoff Wall-Mounted        | PU4WUWJ3   |
| M75, 4W lens  | Outdoor Full-Cutoff Wall-Mounted        | P26EHA8E   |
| M100, 3G lens | Outdoor Full-Cutoff Wall-Mounted        | P5GDOKB8   |
| M100, 3M lens | Outdoor Full-Cutoff Wall-Mounted        | P37EVAVN   |
| M100, 4N lens | Outdoor Full-Cutoff Wall-Mounted        | PPVFERNP   |
| M100, 4W lens | Outdoor Full-Cutoff Wall-Mounted        | PRO3KZ3Z   |
| M125, 3G lens | Outdoor Full-Cutoff Wall-Mounted        | PI826IXI   |
| M125, 3M lens | Outdoor Full-Cutoff Wall-Mounted        | P6GH02CN   |
| M125, 4N lens | Outdoor Full-Cutoff Wall-Mounted        | PXWE8IQW   |
| M125, 4W lens | Outdoor Full-Cutoff Wall-Mounted        | PH6YCJQG   |
| M150, 3G lens | Outdoor Full-Cutoff Wall-Mounted        | PVZ943MM   |
| M150, 3M lens | Outdoor Full-Cutoff Wall-Mounted        | PPDKSK5W   |
| M150, 4N lens | Outdoor Full-Cutoff Wall-Mounted        | P1G5I0JU   |
| M150, 4W lens | Outdoor Full-Cutoff Wall-Mounted        | PICFYMI6   |
| M200, 3G lens | Outdoor Full-Cutoff Wall-Mounted        | P9XV6Y1B   |
| M200, 3M lens | Outdoor Full-Cutoff Wall-Mounted        | PHDN00TV   |

## M Series

### DLC Listings

| WATTAGE       | PRIMARY USE                      | PRODUCT ID |
|---------------|----------------------------------|------------|
| M200, 4N lens | Outdoor Full-Cutoff Wall-Mounted | P9NV5H5K   |
| M200, 4W lens | Outdoor Full-Cutoff Wall-Mounted | PBTXV4DQ   |
| M250, 3G lens | Outdoor Full-Cutoff Wall-Mounted | PRFIHADG   |
| M250, 3M lens | Outdoor Full-Cutoff Wall-Mounted | PCH7IS3Q   |
| M250, 4N lens | Outdoor Full-Cutoff Wall-Mounted | PHR4UK3U   |
| M250, 4W lens | Outdoor Full-Cutoff Wall-Mounted | PLF547FE   |
| M320, 3G lens | Outdoor Full-Cutoff Wall-Mounted | PPZXJYBX   |
| M320, 3M lens | Outdoor Full-Cutoff Wall-Mounted | PKB73CAI   |
| M320, 4N lens | Outdoor Full-Cutoff Wall-Mounted | PPF38F78   |
| M320, 4W lens | Outdoor Full-Cutoff Wall-Mounted | PR25RP61   |
| M40, 5S lens  | Architectural Flood and Spot     | P9082B3M   |
| M40, N lens   | Architectural Flood and Spot     | PIZVRDRB   |
| M40, W lens   | Architectural Flood and Spot     | P03KCLIO   |
| M55, 5S lens  | Architectural Flood and Spot     | P1WEFKCO   |
| M55, N lens   | Architectural Flood and Spot     | PLLZ8GZF   |
| M55, W lens   | Architectural Flood and Spot     | P57QBIY2   |
| M75, 5S lens  | Architectural Flood and Spot     | P5VKKGAD   |
| M75, N lens   | Architectural Flood and Spot     | PNHUVF6    |
| M75, W lens   | Architectural Flood and Spot     | P18P7JWP   |
| M100, 5S lens | Architectural Flood and Spot     | PB5RHZ5S   |
| M100, N lens  | Architectural Flood and Spot     | PP0RFF6Y   |
| M100, W lens  | Architectural Flood and Spot     | PNSQCL5Y   |
| M125, 5S lens | Architectural Flood and Spot     | P8C38AL4   |
| M125, N lens  | Architectural Flood and Spot     | P7ZAR4NT   |
| M125, W lens  | Architectural Flood and Spot     | PVSQOL93   |
| M150, 5S lens | Architectural Flood and Spot     | P33TW4E4   |
| M150, N lens  | Architectural Flood and Spot     | PTNZAYPW   |
| M150, W lens  | Architectural Flood and Spot     | P1APKWTX   |
| M200, 5S lens | Architectural Flood and Spot     | PQDK7DDB   |
| M200, N lens  | Architectural Flood and Spot     | P3NO2N9W   |
| M200, W lens  | Architectural Flood and Spot     | PQ5DLK2C   |
| M250, 5S lens | Architectural Flood and Spot     | PVO7HW7C   |
| M250, N lens  | Architectural Flood and Spot     | P1W75AHC   |
| M250, W lens  | Architectural Flood and Spot     | P95PFAQ5   |
| M320, 5S lens | Architectural Flood and Spot     | PIF8M3ZI   |
| M320, N lens  | Architectural Flood and Spot     | POFV7KLU   |
| M320, W lens  | Architectural Flood and Spot     | PA6BSOOQ   |



## M Series

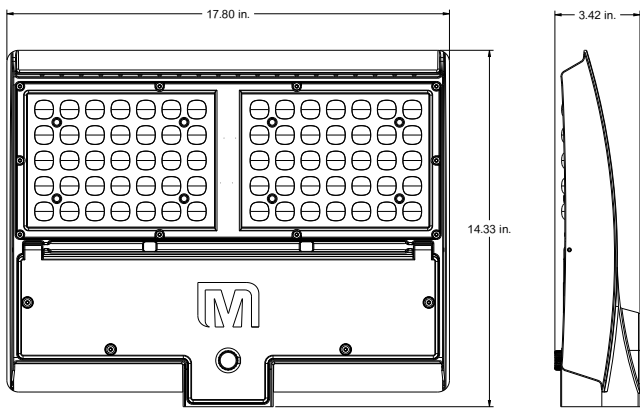
### Dimensions



40W/55W



75W/100W



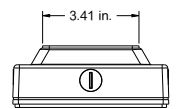
125W/150W



200W/250W/320W



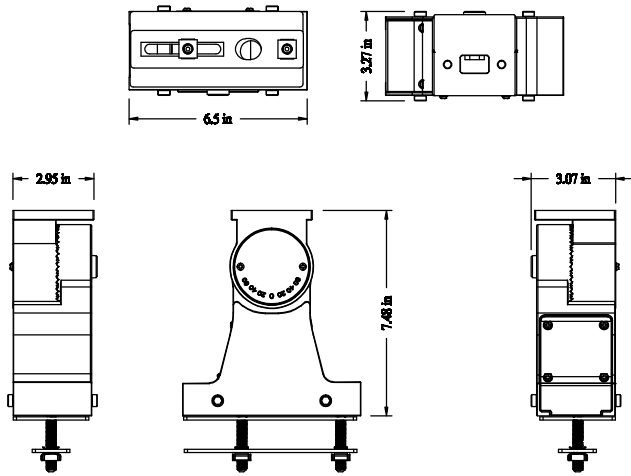
Battery Backup Box



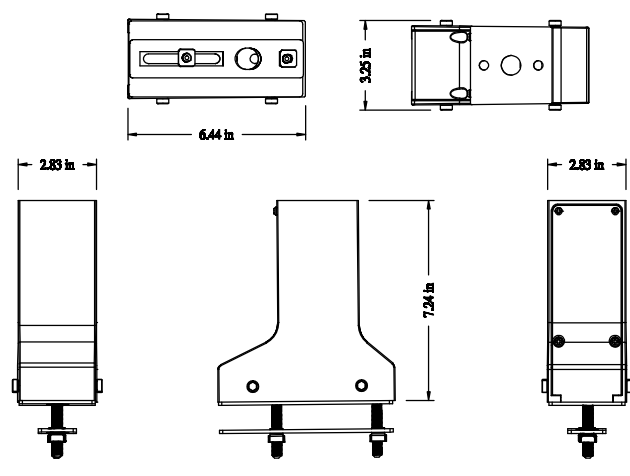
Fixed Wall Mount Bracket

# M Series

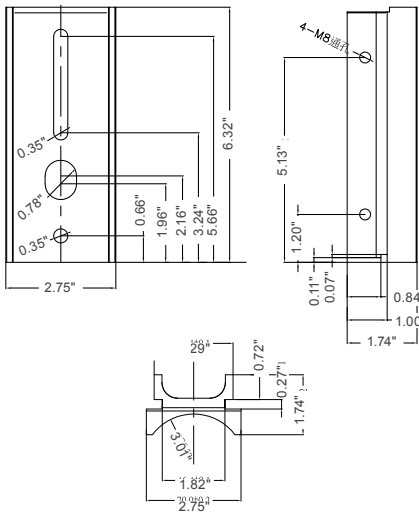
## Mounting



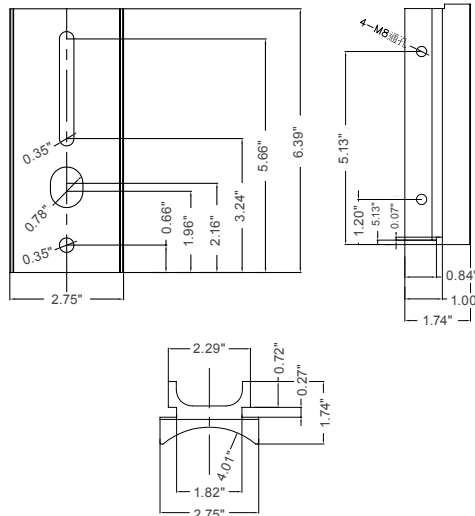
Flexible (Adjustable) Square Arm



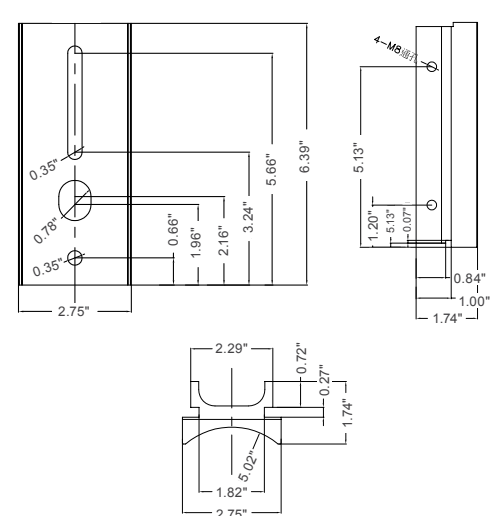
Straight Square Arm



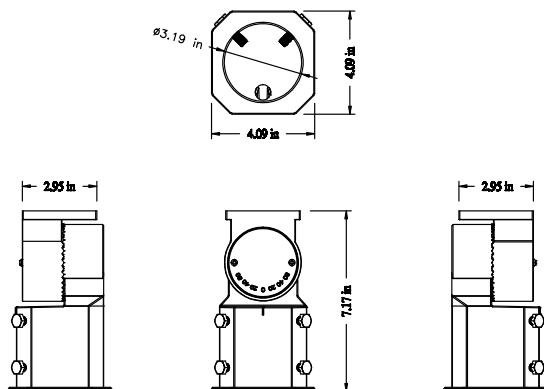
Round Pole Adapter (RPA) 3"



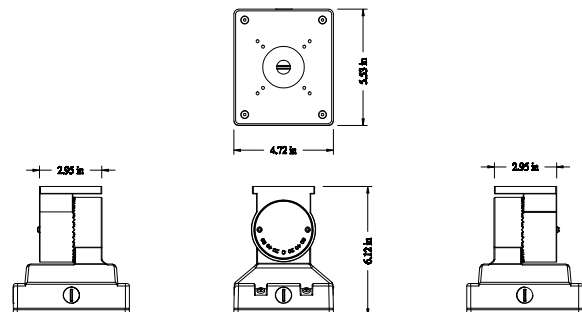
Round Pole Adapter (RPA) 4"



Round Pole Adapter (RPA) 5"



Slipfitter Arm (fits 2 3/8"-3" OD)



Variable (adjustable) Wall Mount



# M Series

**ISOFOOTCANDLE:**

Each gridline represents one mounting height.  
For mounting heights other than noted multiply FC by the below factor.

$$\frac{(\text{Chart's Mtg Height})^2}{(\text{Actual Mtg Height})^2}$$

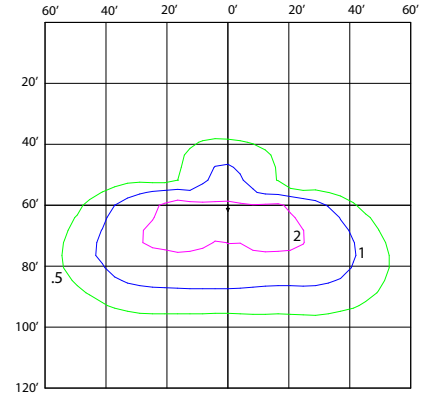
**LEGEND**

- 0.5 fc
- 1 fc
- 2 fc
- 5 fc
- 10 fc
- 20 fc

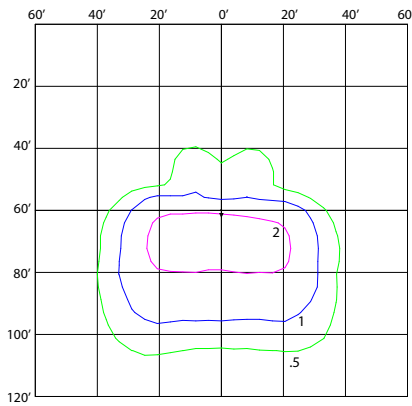
**55W - 20' MOUNTING HEIGHT:**



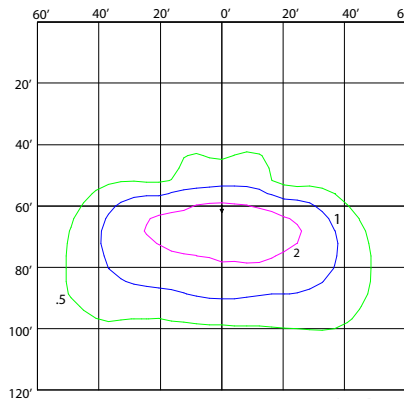
3G (TYPE 3 LOW GLARE)



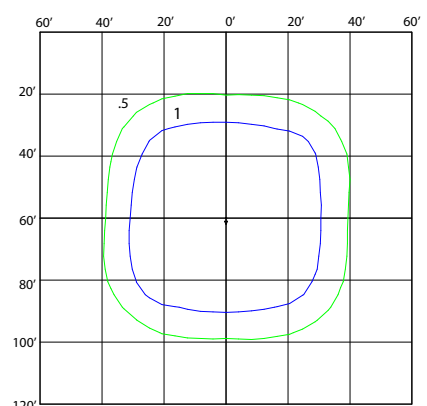
3M (TYPE 3 MEDIUM)



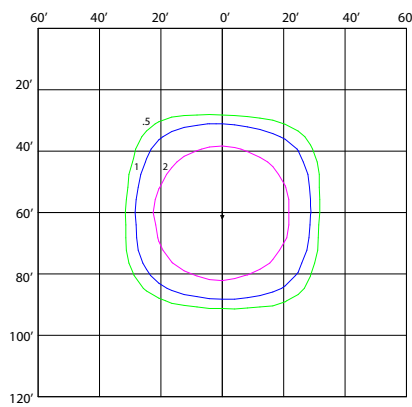
4N (TYPE 4 NARROW)



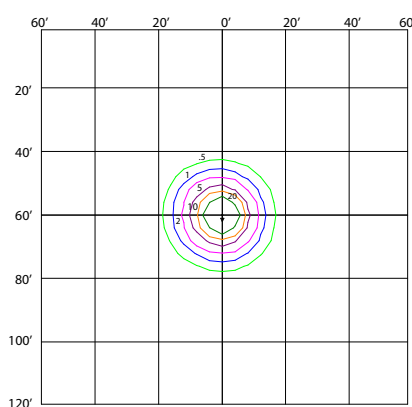
4W (TYPE 4 WIDE)



5S (TYPE 5 SQUARE/WIDE 6X7)



W (WIDE 6X6/TYPE 5 LOW GLARE)



N (NARROW 4X4)



# M Series

## 100W - 25' MOUNTING HEIGHT:



3G (TYPE 3 LOW GLARE)



3M (TYPE 3 MEDIUM)



4N (TYPE 4 NARROW)



4W (TYPE 4 WIDE)



5S (TYPE 5 SQUARE/WIDE 6X7)



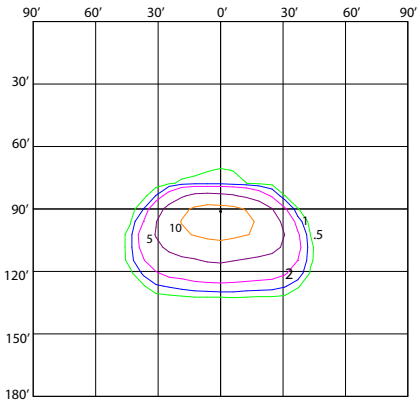
W (WIDE 6X6/TYPE 5 LOW GLARE)



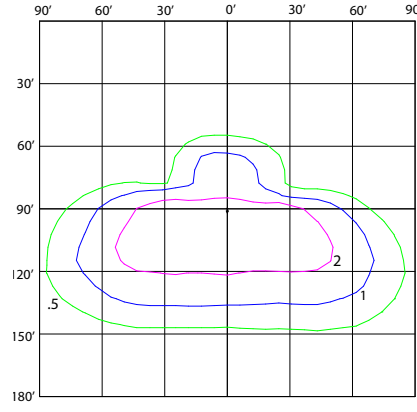
N (NARROW 4X4)

# M Series

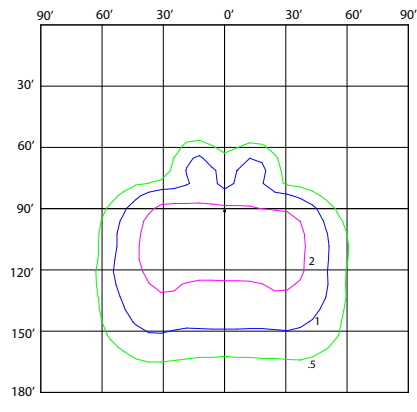
## 150W - 30' MOUNTING HEIGHT:



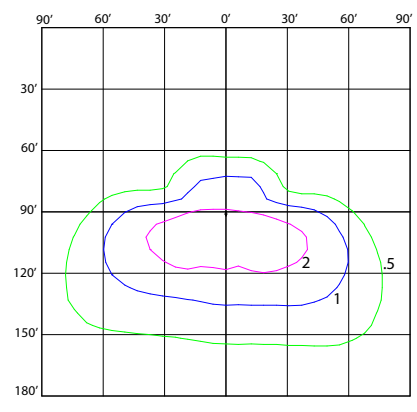
3G (TYPE 3 LOW GLARE)



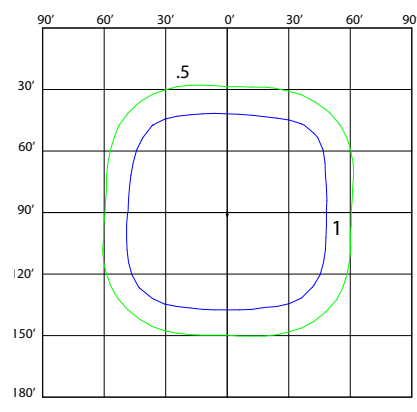
3M (TYPE 3 MEDIUM)



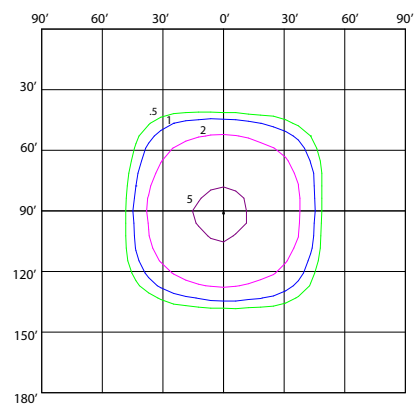
4N (TYPE 4 NARROW)



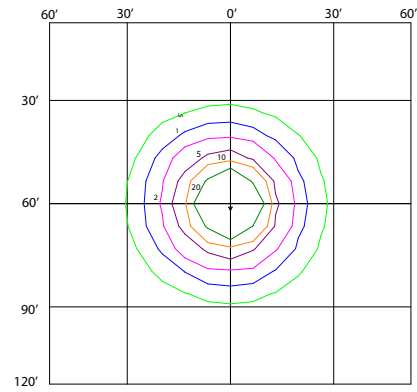
4W (TYPE 4 WIDE)



5S (TYPE 5 SQUARE/WIDE 6X7)



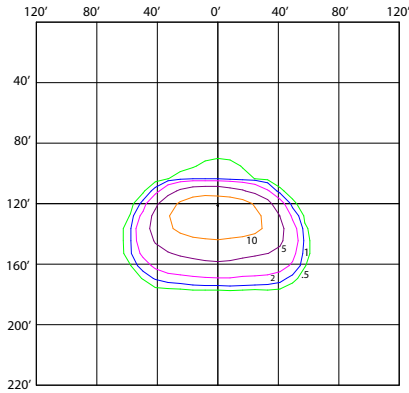
W (WIDE 6X6/TYPE 5 LOW GLARE)



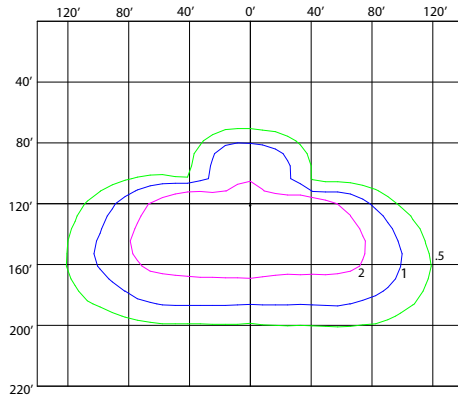
N (NARROW 4X4)

# M Series

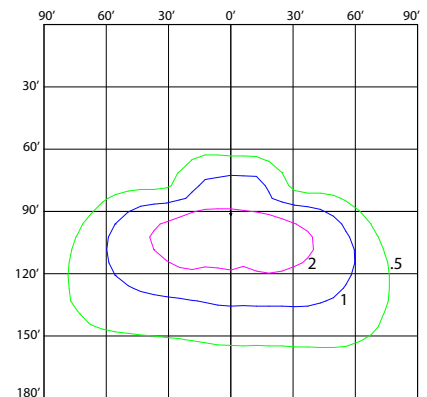
## 320W - 40' MOUNTING HEIGHT:



3G (TYPE 3 LOW GLARE)



3M (TYPE 3 MEDIUM)



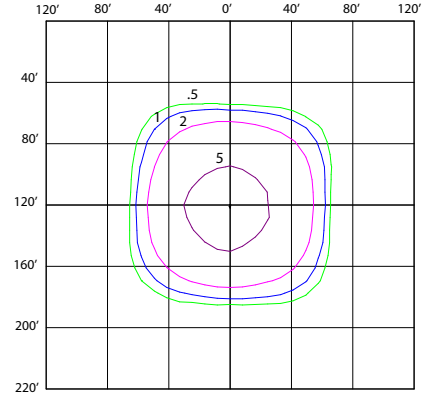
4N (TYPE 4 NARROW)



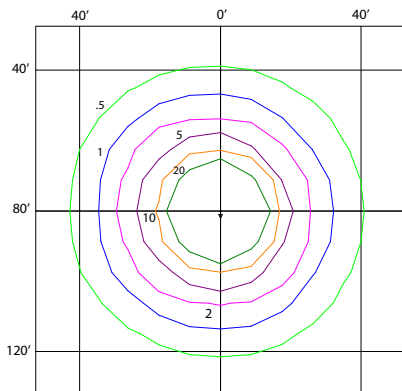
4W (TYPE 4 WIDE)



5S (TYPE 5 SQUARE/WIDE 6X7)



W (WIDE 6X6/TYPE 5 LOW GLARE)



N (NARROW 4X4)