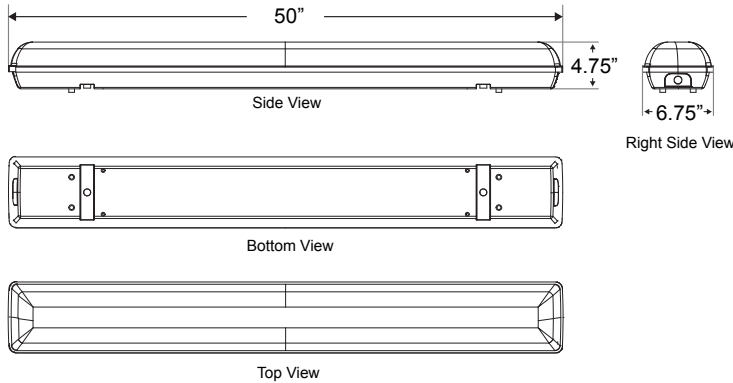


LAMP READY VAPOR TIGHT LSV SERIES



PRODUCT DESCRIPTION:

The MaxLite Lamp Ready Vapor tight series provides Architects, Specifiers, and Buyers with a UL listed fixture engineered to operate the latest single ended LED T8 lamps on the market. Offering classic IP65 ratings, with spec grade Stainless steel latches, these fixtures come pre-wired for single ended operating LED lamps for contractor ready installation as new or remodel fixtures

FEATURES:

- **Lamps not included**
- Stainless Steel spec grade hasps and clips
- Lead wires are 7' for tandem wiring, eliminating back and end knockouts.
- Sockets are wired in series via non-shunted sockets
- Ceiling or wall mounted
- Surface mount brackets included

CONSTRUCTION:

- Engineered and UL rated to take up to 22w per set of lamp holders
- Pour in place silicone seal provides hermetically sealed envelope for wet environments
- Polycarbonate White Housing and clear lens standard.
- Wiring is 18 AWG solid to allow 120-277v operation where lamp specification allows
- Sockets rated to 660w , 600V, UL Listed

WARRANTY:

- Indoor 5 year warranty on parts, materials and workmanship
- Exterior 3 year warranty on parts, materials and workmanship

ORDERING INFORMATION

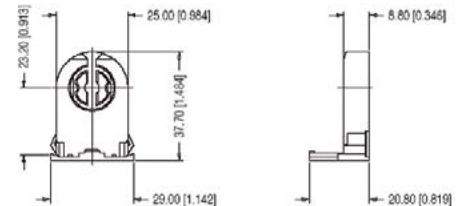
ORDER NUMBER	MODEL	WATTS (NOMINAL)	DESCRIPTION	DIMENSIONS (L" x W" x H")
74850	LSV2XT8USE4806	44W	Vapor Tight Lamp Ready 2xT8 LED 120-277v Single Ended	50" x 6.2" x 3.9"
74851	LSV3XT8USE4806	66W	Vapor Tight Lamp Ready 3xT8 LED 120-277v Single Ended	

ACCESSORIES

ORDER CODE	MODEL NUMBER	DESCRIPTION
74139	MLCHKLSV15	Cable Kit 15' Loop x Loop 1 Pair
73978	G13LPNS	G13 Low Profile Non-Shunted Lamp Holder



G13LPNS



NOTES:

1. This product is specifically engineered and listed for use with MaxLite Single Ended conductor LED lamps. Maximum lamp wattages cannot exceed stated levels without voiding warranty. Use with any other branded lamps should be confirmed by a qualified electrician prior to use.

SPECIFICATIONS:

LSVXXT8USE4806

ITEM	SPECIFICATION	DETAILS
ELECTRICAL	Input Voltage	Max 22w per lamp
	Power Consumption	Per lamp spec
PHYSICAL	Weight	4# Empty
	Dimension	50" X 6.2" X 3.9"
	Housing	Polycarbonate, 3mm 5va, grey
	Mounting	Surface mounting bracket incl. Optional suspension kit avail.
	Operating Temperature	Per lamp spec
CERTIFICATION	Certification	UL for single ended LED lamps*
	Material Usage	RoHS compliant; no mercury
	Environment	Indoor/ Outdoor Covered – Wet IP65
	Warranty	5 Year indoor / 3 Year outdoor

* See reference diagram adjacent. Must be followed

IMPORTANT WARNING:

