

# WPE Economy Wall Packs

Project:	
Type:	
Catalog #:	



## STANDARD



## FEATURES

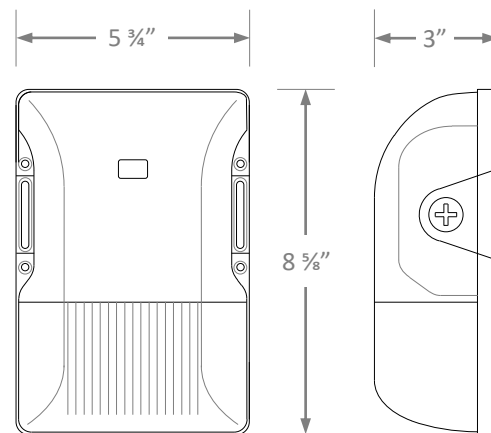
- Available in 3000k, (warm white), 4000k (neutral white), and 5000k (cool white) color temperatures.\*
- Long-life LEDs provide at least 70% of initial lumen output ( $L_{70}$ ) for  $\geq 174,000$  hours of operation, and at least 90% of initial lumen output ( $L_{90}$ ) for  $\geq 51,000$  hours of operation.\*
- LED chromaticity based on  $\leq 6$ -step ANSI quadrangles.
- LED color maintenance  $\leq 0.002$  chromaticity shift ( $\Delta u'v'$ ) over the initial 6,000 of operation.
- Provides a range of 2,621 to 2,794 nominal lumens and 133 to 144 nominal lumens per watt (lm/W).
- 0-10vdc dimming drivers, which provide 10% continuous dimming are standard.
- Universal 120-277 AC voltage (50-60Hz) is standard.
- Power factor  $> 0.90$ .
- Total harmonic distortion  $< 20\%$ .
- Color rendering index ( $R_a$ )  $> 80$ . Red color rendering  $> -8$ .
- Cast aluminum housing with dark bronze, powder coat finish.
- Integral photocell is standard.
- Diffused polycarbonate lens.
- Two  $\frac{1}{2}$ " NPT threaded openings.
- Easy installation in new construction or retrofit applications.

\* Contact factory for other color temperatures and lumen packages.  
\*\*  $L_{70}$  &  $L_{90}$  hours are IES TM-21-11 calculated hours.

## WARRANTY & LISTINGS

- cULus listed for wet locations in ambient temperatures from  $-30^{\circ}\text{C}$  to  $45^{\circ}\text{C}$  ( $-22^{\circ}\text{F}$  to  $113^{\circ}\text{F}$ ).
- IP65 rated for ingress protection.
- DLC 5.1 premium approved.
- Complies with FCC Part 15, class B.
- Surge immunity protection (2.5kV).
- 5-year warranty of all electronics and housing.

## DIMENSIONS



## ORDERING INFORMATION

Example: WPE-3L-5K

Series	Nominal Lumen Output		Color Temperature	
WPE	3L	3,000 lumens	3K	3000k
			4K	4000k
			5K	5000k

Phone number 888-953-EXIT (3948)

# WPE Economy Wall Packs

## ELECTRICAL DATA

Model	Color Temperature	CRI <sup>1</sup>	Luminaire Lumens	Luminaire Watts	Lumens/Watt	Input Voltage <sup>2</sup>	Input Current (A)			Power Factor	THD <sup>3</sup>	L <sub>70</sub> Hours <sup>4</sup>
							120V	240V	277V			
WPE-3L-3K	3000k	>80	2,621	20	133	120-277	0.17	0.08	0.07	>0.90	<20%	174,000
WPE-3L-4K	4000k	>80	2,794	19	144	120-277	0.16	0.08	0.07	>0.90	<20%	174,000
WPE-3L-5K	5000k	>80	2,736	20	140	120-277	0.17	0.08	0.07	>0.90	<20%	174,000

<sup>1</sup> Color rendering index.

<sup>2</sup> All 50-60Hz.

<sup>3</sup> Total harmonic distortion.

<sup>4</sup> L<sub>70</sub> refers to the number of hours at which lumen output declines to 70% of the initial level. L<sub>70</sub> hours are IES TM-21-11 calculated hours.

## PHOTOMETRIC DATA

### WPE-3L-4K

#### Luminaire Data

Description	Economy Wall Pack 3L, 4K
Total Lumens	2,794
Input Wattage	19
Efficacy (lm/W)	144
Max. Cd.	1066.59 (360H, 10V)
IES Classification	Type IV
Longitudinal Classification	Very Short

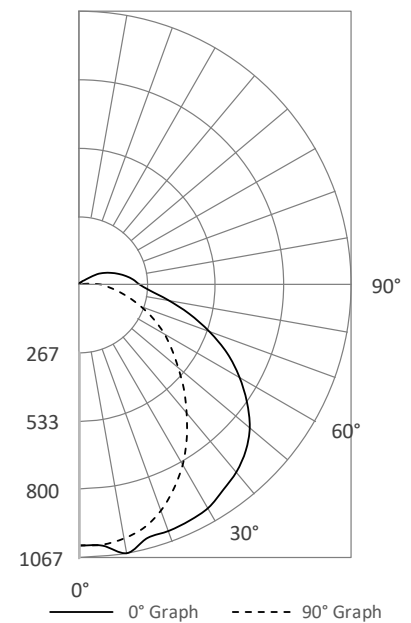
#### Zonal Lumen Summary

Zone	Lumens	%Fixt
0-30°	744	26.6%
0-60°	1,888	67.6%
0-80°	2,399	85.8%
80-90°	137	5.4%*
0-90°	2,536	90.8%
90-110°	157	5.6%
110-180°	0	0.0%
0-180°	2,794	100.0%

#### Luminaire Classification Systems (LCS)

LCS Zone		Lumens	%Lum
FL	0-30	406	14.5%
FM	30-60	803	28.7%
FH	60-80	404	14.5%
FVH	80-90	113	4.0%
BL	0-30	338	12.1%
BM	30-60	342	12.2%
BH	60-80	106	3.8%
BVH	80-90	24	0.9%
UL	90-100	93	3.3%
UH	100-180	165	5.9%
<b>Total</b>		2,794	100.0%
BUG Rating		B1-U3-G2	

#### 180° Polar Graph



\* 80-90° glare zone is calculated by dividing the lumens in that zone by the lumen total in the 0-90° zone