

BRK-LED46K-DK 6" LED Disk Light

Project:	
Type:	
Catalog #:	

STANDARD



FEATURES

- Available in 2700k, 3000k, 3500k, 4000k, and 5000k color temperatures.*
- Long-life LEDs provide at least 70% of initial lumen output (L_{70}) for 50,000 hours of operation.**
- Provides 900 nominal lumens.
- 12 nominal watts.
- Color rendering index (R_a) > 80.
- 120 (50-60Hz) AC voltage is standard.
- Power factor ≥ 0.90 .
- Dimmable down to 10% with most line voltage dimmers.
- Thermoplastic construction.
- Easy installation with 4"-6" recessed cans.
- Compatible with most 3.5"-4" square, octagonal, and round junction boxes.
- Compatible with insulated, non-insulated, and air-tight ceilings.
- E26 medium screw-base (Edison) connector comes standard.
- This device is not intended for use with emergency exits.

WARRANTY & LISTINGS

- cETLus listed for wet locations.
- Energy Star qualified.
- Complies with FCC Part 15, class B.
- Complies with RoHS (Restriction on Hazardous Substances) requirements.
- 5-year warranty of all electronics and housing.

* Contact factory for other color temperatures and lumen packages.
 ** L_{70} hours are IES TM-21-11 calculated hours.

ORDERING INFORMATION

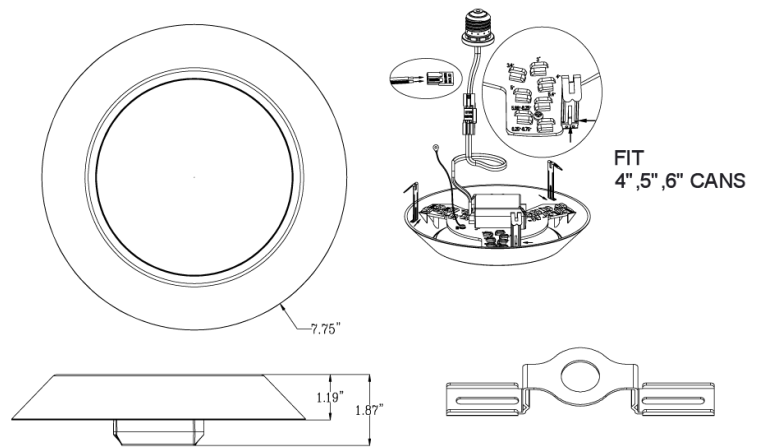
Example: BRK-LED46-DK-12W-5K-ECO



COMPATIBLE DIMMERS

MANUFACTURER & SERIES	PART NUMBER
Lutron Maestro C-L	MACL-153MR
Lutron Skylark C-L	SCL-153P
Leviton Sureslide	6674
Lutron	PD-6WCL
Legrand Harmony	HCL453PTCCCV6
Lutron Diva	DV600P
Lutron Diva	DVCL-153P

DIMENSIONS



Series	Trim Type		Wattage	Color Temperature	
BRK-LED46	DK	Disk	12W	27K-ECO	2700K
				3K-ECO	3000K
	35K-ECO	3500K			
	4K-ECO	4000K			
	5K-ECO	5000K			