

# DR-KFS

## Double-Ring, Surface-Mounted Luminaire Kelvin Field Selectable

Project:	
Type:	
Catalog #:	

### STANDARD



### FEATURES

- Field selectable 2700k (soft white), 3000k (warm white), 3500k (warm/neutral white), 4000k (neutral white), and 5000k (cool white) color temperatures.\*
- Long-life LEDs provide at least 70% of initial lumen output ( $L_{70}$ ) for 93,000 hours of operation.\*\*
- Color rendering index ( $R_a$ ) > 90.
- DR10 provides 1,000 nominal lumens from 15 nominal watts.
- DR14 provides 1,800 nominal lumens from 20 nominal watts.
- DR18 provides 2,000 nominal lumens from 20 nominal watts.
- Input voltage = 120V 60Hz.
- Power factor > 0.90.
- Triac dimming.
- Steel housing, brushed nickel finish.
- Polystyrene lens.
- Easy installation in new construction or remodel applications.
- This device is not intended for use with emergency exits.

### WARRANTY & LISTINGS

- cETLus listed for damp locations in ambient temperatures of -15°C to 40°C (5°F to 104°F).
- Energy Star qualified.
- Title 24 qualified.
- Complies with FCC Part 15, class B.
- Input transient protection = 1kV.
- 5-year warranty of all electronics and housing.

\* Contact factory for other color temperatures and lumen packages.

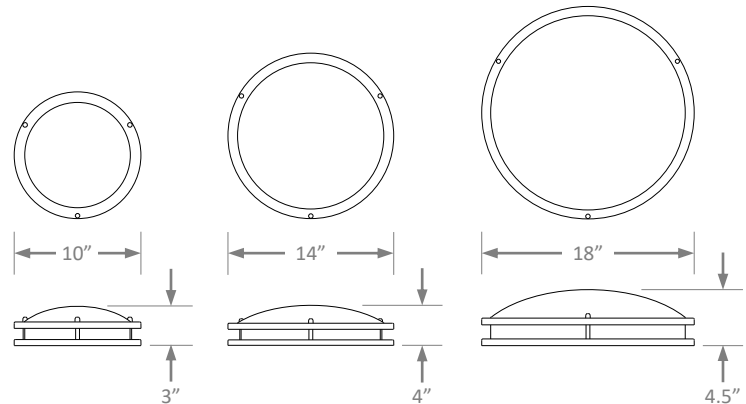
\*\*  $L_{70}$  hours are IES TM-21-11 calculated hours.



### COMPATIBLE DIMMERS

Manufacturer/Series	Model Number
Lutron Diva	DVCL-153PR-WH
Lutron Diva	CTCL-153PDH-WH
Lutron Diva	TGCL-153PH-WH
Lutron Diva	MACL-153MH-WH
Lutron Diva	P-PKG1W-WH-R
Leviton	R62-06674-P0W
Leviton	R12-06672-1LW
Leviton	R50-IPL06-10M
Eaton	SAL06P-LA-K

### DIMENSIONS



#### Weights:

DR10 = 1.4 lbs  
DR14 = 2.2 lbs  
DR18 = 3.3 lbs

### ORDERING INFORMATION

Example: DR14-18L-KFS

Series	Nominal Lumen Output		Color Temperature	
	DR10	DR14	DR18	
	10L	1,000 lm		KFS*
	18L	1,800 lm		2700k
	20L	2,000 lm		3000k
				3500k
				4000k
				5000k

\* Field-selectable

Phone number 888-953-EXIT (3948)