

HP Series

NEMA-4X, high-performance industrial battery unit



Housing

- Compact gray fiberglass housing with captive screws
- NEMA-4X rated
- All external fasteners and hardware are constructed of stainless steel
- Die-cast aluminum LED heads

Mounting

- Simple and easy to install on walls, poles, columns, struts also on vertical
- Pole or column installation bracket sold separately (order catalog number: PMK1-E)
- 1/2" NPT conduit entry on top or side

Performance

- High temperature lead-calcium battery operates 32°F to 122°F (0°C to 50°C) optional cold-weather -40°F to 122°F (-40°C to 50°C)
- Nickel-cadmium battery operates 50°F to 104°F (10°C to 40°C)
- 6W, 10W and 15W high efficacy LED emergency heads
- 15W head outperforms traditional 50W MR16 halogen
- Innovative head design: four-LED and dual-driver provide illumination even in case of unexpected component failure

Power consumption - Maximum current draw

| Temperature | Specs |
|----------------------------|------------------------------|
| Standard temperature range | 120/277VAC, 60Hz, 0.30/0.15A |
| Cold-weather option | 120/277VAC, 60Hz, 0.70/0.35A |

Unit rating - non-CEC models

| Model | Battery capacity in watts ¹ | | | |
|---------|--|-------|-------|-------|
| | 1-1/2 hrs | 2 hrs | 3 hrs | 4 hrs |
| 12HPM30 | 30 | 20 | 15 | 10 |
| 12HPM60 | 60 | 40 | 30 | 20 |
| 12HPN40 | 40 | 36 | 24 | 18 |
| 24HPN90 | 90 | 72 | 48 | 36 |

¹The cold-weather option is only rated for 90 minutes



Electronics

- Infra-red remote control tester included in all models: allows testing the equipment without the need to climb a ladder. Distance range up to 30 ft. Universal, one remote control tester may test all the units on the job
- Pulse plus charger
- Low voltage disconnect
- Automatic brownout protection
- Battery lock-out
- Fused output circuit
- Standard Advanced Diagnostics
- Optional Nexus®Pro IoT monitoring system
- Optional Nexus® wired and wireless monitoring system
- 120/277 60Hz

Approvals

- UL 924 listed
- BC – California Energy Commission Title 20

Warranty

- 5-year limited warranty
- Detailed warranty terms located on page 202 or online at: www.emergi-lite.com/usa/files/EL_Warranty.pdf

Remote test control



Unit rating - CEC models

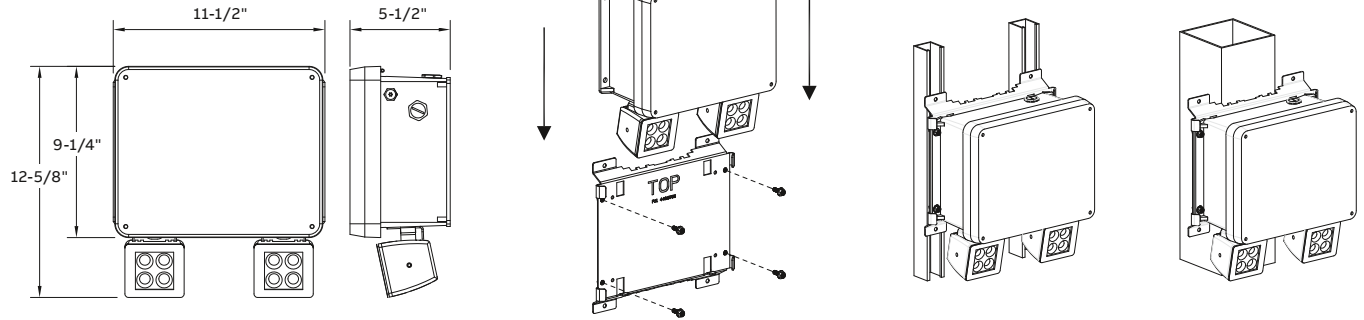
| Model | Watts to 87-1/2% of rated battery voltage: standard Tamb range ¹ | | | |
|---------|---|-------|-------|-------|
| | 1-1/2 hrs | 2 hrs | 3 hrs | 4 hrs |
| 12HPM30 | 30 | 20 | 15 | 10 |
| 12HPM60 | 60 | 40 | 30 | 20 |

¹The cold-weather option is only rated for 90 minutes

The Bluetooth® word mark and logos are registered trademarks owned by Bluetooth SIG, Inc. and any use of such marks by ABB Inc. is under license. Other trademarks and trade names are those of their respective owners.

Dimensions

Dimensions are approximate and subject to change.



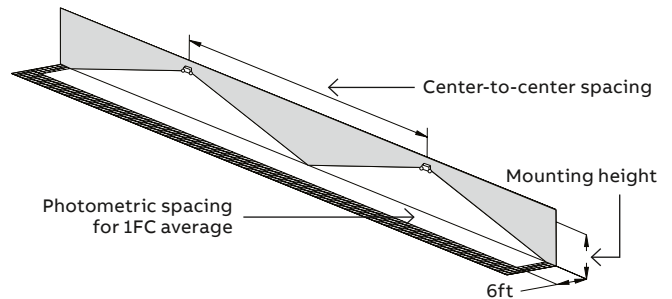
Photometric performance

Whether installed indoors or outdoors, the **HP Series** of LED emergency lights deliver a stable and consistent illumination on the path of egress for a wide range of mounting heights. Depending on the application, one may select and specify among three levels of lumen output. See cross reference to traditional incandescent emergency lights in table to the right.

| LED head | Power | Total lumens | Out-perform spacing of incandescent lamps |
|----------|-------|--------------|---|
| L6 | 6W | 565 | 35W PAR36, MR16 halogen |
| L10 | 10W | 1000 | 50W PAR36, MR16 halogen |
| L15 | 15W | 1300 | 50W MR16-IR halogen |

| Mounting height | Spacing center-to-center (feet) | | |
|-----------------|---------------------------------|------------------------|------------------------|
| | Lamp L6 / 6W, 565LM | Lamp L10 / 10W, 1000LM | Lamp L15 / 15W, 1300LM |
| 10 ft. | 80 | 110 | 140 |
| 15 ft. | 70 | 105 | 135 |
| 20 ft. | 60 | 100 | 130 |
| 25 ft. | 50 | 95 | 120 |

Industrial environment: wall mounted equipment, reflectances: 10/10/10; 6-ft. wide illumination path. 200 ft. X 200 ft. X 30 ft. space. Illumination as per NFPA101; Average: 1fc; Min: 0.1fc; Max/min < 40:1



How to order

| Series | Battery type and capacity | # of heads | LED heads | Diagnostic | Options | Approval |
|------------------------------------|---|--------------|---|--|--|--|
| 12HP = High-performance | Lead-calcium M30 = 12V-30W, high temperature lead-calcium battery, temperature= 32°F to 122°F [0...50°C] M60 = 12V-60W, high temperature lead-calcium battery, temperature= 32°F to 122°F [0...50°C] | 0= No head | L6 = 12-24V, 6W (565 Lumens) L10 = 12-24V, 10W (1000 Lumens) L15 = 12-24V, 15W (1300 Lumens) | D = Advanced Diagnostic, non-audible ¹ DA = Advanced Diagnostic, audible ¹ NEX = Nexus® wired (contact your sales representative) ¹ NEXP = Nexus®Pro IoT (contact your sales representative) ¹ NEXRF = Nexus® wireless (contact your sales representative) ¹ | CW4 = Cold-weather - 40°F [-40°C] ² D3 = Time delay 15 minutes RFI = Radio frequency interference filter | -CEC = CEC Title 20 for California ³ |
| | | 1= One head | | | | |
| | | 2= Two heads | | | | |
| 24HP = 24V high-performance | Nickel-cadmium N40 = 12V-40W, nickel-cadmium battery, temperature= 50°F to 104°F [10...40°C] N90 = 24V-90W, nickel-cadmium battery, temperature= 50°F to 104°F [10...40°C] | | | | | |

Example: 12HPN402L6DRFI

¹Standard - minimum load required: 20% of load capacity
²Only 12V equipment
³Available with lead-calcium models only