

Project:	
Type:	
Catalog #:	

STANDARD

OPTIONAL



ILLUMINATION

- 9 Two fully adjustable, ultra bright 3.3 watt high performance MR-16 base LED lamp heads for optimized center-to-center spacing.

ELECTRICAL

- Powered from low voltage 6V/12V DC power source with low voltage wiring (not provided).

MOUNTING

- Die-cast mounting brackets provided for surface wall-mount installation.
- Distance of maximum run is determined by system voltage, wire gauge and total maximum wattage on the run.

HOUSING

- Housing is fiberglass reinforced construction in gray finish.
- 9 Corrosion-resistant enclosure with one piece, high-impact resistant, UV stabilized polycarbonate lens and molded gasket with stainless steel screws.

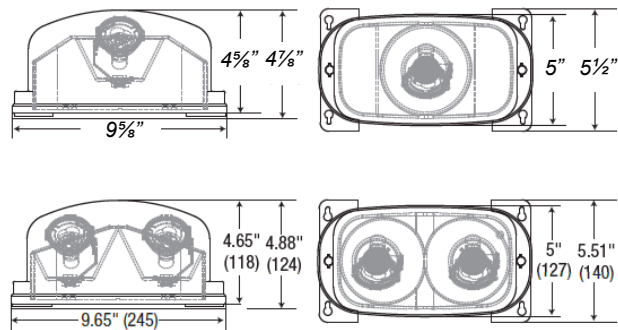
OPTIONS

- 9 TP: Tamper-proof hardware helps discourage unauthorized access to the unit.

WARRANTY / LISTING

- Five year warranty.
- UL listed with approved Best Lighting Products. IP66 rated for Ingress protection.
- Meets UL924, NFPA 101 Life Safety Code, NEC, OSHA, Local and State Codes.
- Rated for Class 1, Division 2, Groups A, B, C, and D.

DIMENSIONS



FIXTURE COMPATIBILITY CHART

Reference individual unit equipment specification sheets for remote load capacity availability.

BEST LIGHTING MODEL TYPE			
CADXR	CALEDCXTE	CAR	CWLEZXTX-RC
DXR	LEDSDXR	LEDTFX-2	NYDXR
RMR-16-65/125			

ORDERING INFORMATION

Sample Part Number: HZ-RHLED

MODEL	HEADS	HOUSING COLOR	OPTIONS
HZ-RHLED	1 Single 2 Twin	G Gray	TP Tamper-Proof