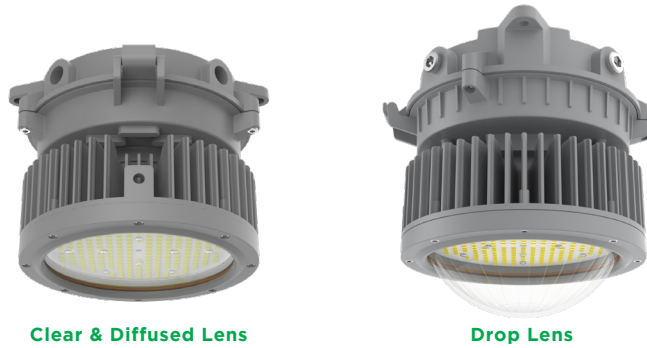




PROJECT: \_\_\_\_\_ CATALOG # \_\_\_\_\_ NOTES: \_\_\_\_\_ FIXTURE SCHEDULE: \_\_\_\_\_

# HIGHBAY

## HLRM SERIES - CID2



Clear & Diffused Lens

Drop Lens

### FEATURES:

- 3000K, 4000K, 5000K
- Customizable offering with clear, diffused and drop lens option
- Efficacy up to 150 lm/W

### DIMMING:

- 120-277V option available with 0-10V dimming (10%)
- 347-480V option available with 0-10V dimming (10%)

### MOUNTINGS:

- Universal mounting for pendant, Yoke Mount, Ceiling, Wall, Stanchion Mount

### CONSTRUCTION:

- Die cast aluminum body and impact resistant tempered glass lens
- Stainless steel exposed fasteners
- High temperature silicone gasketing

### LISTINGS:

- Class I, Division 2, Groups A, B, C, D
- Class II, Division 1, Groups E, F, G
- Class II, Division 2, Groups F, G
- Class III, Division 1
- Marine Grade
- 1000 hours salt spray testing
- IK08
- IP66
- FCC

### WARRANTY:

5-year standard warranty\* (further details available at [www.maxlite.com/warranties](http://www.maxlite.com/warranties))

\*Product may be eligible for a warranty extension to 10 years, for an additional fee. Contact MaxLite for details.

MODEL SELECTION							
HLRM							
FAMILY	NOMINAL WATTAGE	VOLTAGE	DISTRIBUTION	LENS	CCT	MOUNTING	FINISH
HLRM= Medium Size Round, CID2	80= 80W 120= 120W 150= 150W 200= 200W	U= 120-277V H'= 347-480V	[Blank]= Wide, 110°	[Blank]= Clear Glass D <sup>1,2</sup> = Diffused Glass L <sup>1,2</sup> = Low Bay/ Drop lens <sup>1</sup>	[Blank]= 5000K 40 <sup>1,2</sup> = 4000K 30 <sup>1,2</sup> = 3000K	[Blank]= Universal, Ceiling and Pendant	[Blank]= Grey

1. Not DLC Listed  
2. Consult factory for lead times

MODEL #	DLC ID #
HLRM80U[blank, U][blank, BL]	PLE0MFRKIT3U
HLRM80U40[blank, U][blank, BL]	PLIZUEMXXWME
HLRM120U[blank, U][blank, BL]	PLQJ8F4AJDXN
HLRM120U40[blank, U][blank, BL]	PL9RAA148MYE

MODEL #	DLC ID #
HLRM150U[blank, U][blank, BL]	PLA6K4QZ15OE
HLRM150U40[blank, U][blank, BL]	PLIKVHJ2V8X9
HLRM200U[blank, U][blank, BL]	PLB1ZRL5B9Q0
HLRM200U40[blank, U][blank, BL]	PLROWHPJFBZS



PROJECT: \_\_\_\_\_ CATALOG # \_\_\_\_\_ NOTES: \_\_\_\_\_ FIXTURE SCHEDULE: \_\_\_\_\_

# HIGHBAY

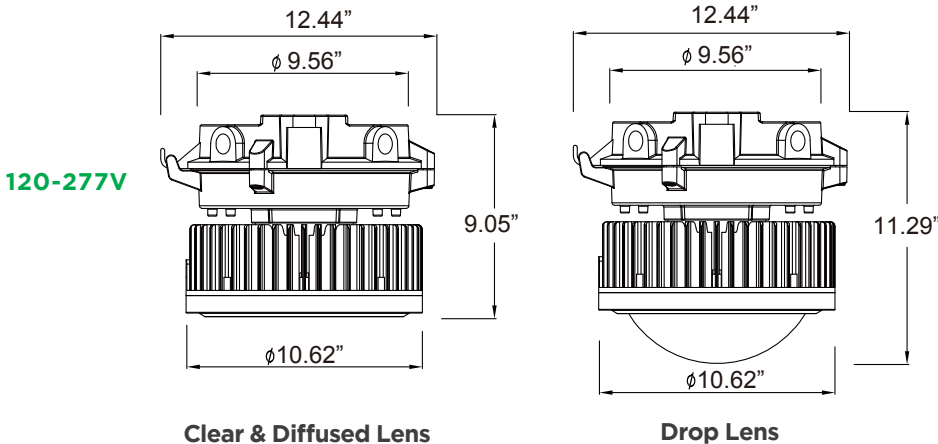
## HLRM SERIES - CID2

### SPECIFICATIONS:

	HLRM80	HLRM120	HLRM150	HLRM200
<b>SPECIFICATION</b>	<b>DETAILS</b>			
Input Power (W)	80	120	150	200
Lumens Delivered (lm)*	12,000	18,000	22,500	30,000
Equivalency	320W MH	450W MH	600W MH	750W MH
Efficacy (lm/W)	150	150	150	150
CRI	≥70			
CCT (K)	3000K, 4000K, 5000K			
L70 Lifetime (Hrs)	≥50,000			
Voltage	120-277V and 347-480V with 0-10V Dimming, 10%			
Surge Suppressor	6kV			
Power Factor	≥0.90			
Housing	Copper-Free Aluminum			
Lens Material	Glass			
Mounting	Universal mounting for pendant, Yoke Mount, Ceiling, Wall, Stanchion Mount			
Operating Temperature	-40°F to 149°F	-40°F to 149°F	-40°F to 140°F	-40°F to 131°F
Temperature Code	T4A			
Listings	cETLus Classified, FCC, IP66, CID2; CIID1; CIID2, CIII, Marine Grade			
Environment	Wet locations, Indoor			
Warranty	5-year standard warranty*			

1. Measured at 5000k on wide lens clear glass option

### PRODUCT DIMENSIONS:





PROJECT: \_\_\_\_\_ CATALOG # \_\_\_\_\_ NOTES: \_\_\_\_\_ FIXTURE SCHEDULE: \_\_\_\_\_

**HIGHBAY**  
HLRM SERIES - CID2

**ACCESSORIES TABLE (SOLD SEPARATELY):**

MODEL	DESCRIPTION	DIMENSIONS
HLM22G	HLRM Series, Stanchion 25° (1-1/2 NPT) Mount Bracket	
HLM24G	HLRM Series, Stanchion 25° (1-1/4 NPT) Mount Bracket	
HLM92G	HLRM Series, Stanchion 90° (1-1/2 NPT) Mount Bracket	
HLM94G	HLRM Series, Stanchion 90° (1-1/4 NPT) Mount Bracket	
HLRMW90G	HLRM Series, Wall Mount 90° Bracket, AL, NPT 3/4", Grey	
HLRMWG	HLRM Series, Wire Guard for Drop Lens	
HLRMFG	HLRM Series, Wire Guard for Flat Lens	



PROJECT: \_\_\_\_\_ CATALOG # \_\_\_\_\_ NOTES: \_\_\_\_\_ FIXTURE SCHEDULE: \_\_\_\_\_

**HIGHBAY**  
HLRM SERIES - CID2

**ACCESSORIES TABLE (SOLD SEPARATELY):**

MODEL	DESCRIPTION	DIMENSIONS
HLRMYB	Yoke Bracket, Medium Size, Stainless Steel	
HLRSC	Safety Cable , HLR Series	