

## FLOODMAX FM SERIES



FMS 20/30W



FMM 50/80W



FML 120W



FMX 200/310W



### PRODUCT DESCRIPTION:

The FloodMax family of fixtures combines performance and design in a value package. It is available in 4 sizes and 7 wattages ranging from 20W-310W. The smaller sizes come with 1/2" threaded adjustable knuckle slipfitter or a trunnion. The larger sizes come with either a 2 3/8" adjustable knuckle slipfitter or a trunnion. Typical applications include general area lighting, facade, landscape as well as signage.

### FEATURES:

- 2,500 to 40,000 lumens
- 120-277V 0-10V driver, 347-480V option (50W+ versions)
- Wide distribution standard (NEMA 6x6 or 7x7); Narrow distribution (NEMA 3x3) option
- CRI: >70
- Photo control (2 fixtures in one):
  - 120-277V button PC with removable cap included on 20-80W
  - NEMA twist lock receptacle with removable shorting cap included on 120-310W
- 10KV surge protection standard

### CONSTRUCTION:

- Die cast aluminum housing with integrated heat sinking to maximize performance and fixture life
- Polyester powder coat finish provides corrosion resistance
- Passes IK08 impact test (FMS requires vandal shield accessory)

### WARRANTY:

10-year standard warranty with labor allowance\* (further details available at [www.maxlite.com/warranties](http://www.maxlite.com/warranties))

\*Warranty Limitations: Product must be rated for the application per the Product Data Sheet (PDS); operated ≤16 hrs/day; in ambient of -29°F to 104°F.

\*Up to \$25/unit; labor allowances of up to \$500/unit available for purchase – contact MaxLite representative for details.

| MODEL SELECTION                      |  | Typical order example: FML120UW-40BSKRPC                   |                                    |   |                                      |   |  |  |
|--------------------------------------|--|--|------------------------------------|---|--------------------------------------|---|--|--|
| FAMILY                               | NOMINAL WATTAGE  | VOLTAGE  | DISTRIBUTION                       | - | CCT                                  | COLOR   | MOUNTING   | CONTROLS   |
| <b>FMS=</b> FloodMax Small (20/30W)  | <b>20=</b> 20W<br><b>30=</b> 30W<br><b>50=</b> 50W                         | <b>U=</b> Universal 120-277V<br><b>H'=</b> 347-480V (50W+) | <b>N=</b> Narrow<br><b>W=</b> Wide |   | <b>40=</b> 4000K<br><b>50=</b> 5000K | <b>B=</b> Bronze                                | <b>KT=</b> Knuckle with 1/2" thread (20/30/50/80W) | <b>Included Standard with 20/30/50/80W PC=</b> 120V-277V button photo-cell with removable cap      |
| <b>FMM=</b> FloodMax Medium (50/80W) | <b>80=</b> 80W<br><b>120=</b> 120W<br><b>200=</b> 200W<br><b>310=</b> 310W |  |                                    |   |                                      | <i>Contact Maxlite for additional finishes.</i> | <b>SK=</b> Slipfitter Knuckle (50/80/120/200/310W) | <b>Included standard with 120/200/310W RPC=</b> 3-pin NEMA twist lock receptacle with shorting cap |
| <b>FML=</b> FloodMax Large (120W)    |  |  |                                    |   |                                      |   | <b>TS=</b> Trunnion Swivel (All versions)          | <b>Option for 120/200/310W PR7=</b> 7-pin NEMA twist lock receptacle                               |
| <b>FMX=</b> FloodMax XL (200/310W)   |  |  |                                    |   |                                      |   |  | <b>Option for FMX 200/310W MS=</b> Daylight/Motion Sensor  |

1. Photocontrol not available for 50/80W in 480V.

**SPECIFICATIONS:**




**DETAILS**

| ITEM                       | SPECIFICATION                        | 20W   | 30W          | 50W          | 80W   | 120W          | 200W                   | 310W            |               |
|----------------------------|--------------------------------------|---|--------------|--------------|---|---------------|------------------------|-----------------|---------------|
| <b>GENERAL PERFORMANCE</b> | Output (lm)                          | 2,300-2,500   | 3,400-3,700  | 6,900-7,400  | 9,900-10,600                                  | 14,350-15,300 | 29,590-31,100          | 39,600-41,600   |               |
|                            | Efficacy (lm/W)                      | 119   | 115          | 131          | 133   | 130           | 135                    | 129             |               |
|                            | Beam Spread Narrow (NEMA/Beam Angle) | 3x3/20.8°-20.3°   |              |              |   |               |                        | 3x3/19.9°-20.2° |               |
|                            | Beam Spread Wide (NEMA/Field Angle)  | 7x7/137°-148°   |              |              | 6x6/128°-125°                                 | 6x6/128°-128° | 6x6/126°-124°          | 6x6/129°-124°   | 6x6/125°-130° |
|                            | Max Candela (Narrow/Wide)            | 13,416/931  | 19,706/1,384 | 39,809/3,173 | 57,127/4,415                                  | 82,406/7,109  | 156,782/14,118         | 209,882/21,247  |               |
|                            | Color Temperature (CCT)              | 4000K or 5000K  |              |              |   |               |                        |                 |               |
|                            | CRI                                  | >70   |              |              |   |               |                        |                 |               |
|                            | Lumen Maintenance (L90) hrs          | >100,000  |              |              |   |               |                        |                 |               |
| <b>ELECTRICAL</b>          | Wattage (W)                          | 19.5  | 29.5         | 52.7         | 74.4  | 110.5         | 218                    | 307             |               |
|                            | Power Factor                         | >0.90   |              |              |   |               |                        |                 |               |
|                            | Input Voltage                        | 120-277V; 347-480V option   |              |              |   |               |                        |                 |               |
| <b>PHYSICAL</b>            | Housing                              | Die Cast Aluminum   |              |              |   |               |                        |                 |               |
|                            | Lens                                 | Tempered Glass  |              |              | UV stabilized Polycarbonate                   |               |                        |                 |               |
|                            | Weight                               | 10.5pds/4.7kg   |              |              | 11.5pds/5.2kg                                 |               | 16.9pds/7.7kg          | 19.3pds/8.75kg  |               |
|                            | Mounting                             | 1/2" Threaded Knuckle or Yoke   |              |              | 1/2" Threaded knuckle, Slipfitter or Trunnion |               | Slipfitter or Trunnion |                 |               |
|                            | EPA                                  | 0.25  |              |              | 0.68  |               | 0.97                   | 1.53            |               |
|                            | Operating Temperature                | -22F/-30C - 104F/40C  |              |              |   |               | -40F/-40C - 104F/40C   |                 |               |
| <b>QUALIFICATION</b>       | Certification                        | DLC Premium, cUL, FCC, IK08 (FMS requires vandal shield), 1.5G ANSI vibration rated |              |              |   |               |                        |                 |               |
|                            | Environment                          | Wet locations and IP65  |              |              |   |               |                        |                 |               |
|                            | Warranty                             | 10-year standard warranty*  |              |              |   |               |                        |                 |               |

**ORDERING:**

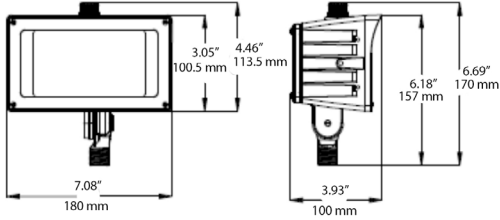
| ORDER CODE | MODEL             | WATTAGE | EQUIVALENT | LUMENS        | NEMA DISTRIBUTION (H X V) | MOUNTING              | CCT   |
|------------|-------------------|---------|------------|---------------|---------------------------|-----------------------|-------|
| 14100143   | FMS20UW-40BKTPC   | 20W     | 50W HID    | 2,300-2,500   | 7X7                       | 1/2" threaded knuckle | 4000K |
| 14100144   | FMS20UW-50BKTPC   | 20W     | 50W HID    | 2,300-2,500   | 7X7                       | 1/2" threaded knuckle | 5000K |
| 14100145   | FMS30UW-40BKTPC   | 30W     | 100W HID   | 3,400-3,700   | 7X7                       | 1/2" threaded knuckle | 4000K |
| 14100146   | FMS30UW-50BKTPC   | 30W     | 100W HID   | 3,400-3,700   | 7X7                       | 1/2" threaded knuckle | 5000K |
| 14100147   | FMM50UW-40BKTPC   | 50W     | 150W HID   | 6,900-7,400   | 6x6                       | 1/2" threaded knuckle | 4000K |
| 14100148   | FMM50UW-50BKTPC   | 50W     | 150W HID   | 6,900-7,400   | 6x6                       | 1/2" threaded knuckle | 5000K |
| 14100149   | FMM80UW-40BKTPC   | 80W     | 250W HID   | 9,900-10,600  | 6x6                       | 1/2" threaded knuckle | 4000K |
| 14100150   | FMM80UW-50BKTPC   | 80W     | 250W HID   | 9,900-10,600  | 6x6                       | 1/2" threaded knuckle | 5000K |
| 14100155   | FML120UW-40BSKRPC | 120W    | 400W HID   | 14,350,15,300 | 6x6                       | Slipfitter Knuckle    | 4000K |
| 14100157   | FML120UW-40BTSRPC | 120W    | 400W HID   | 14,350,15,300 | 6x6                       | Trunnion              | 4000K |
| 14100156   | FML120UW-50BSKRPC | 120W    | 400W HID   | 14,350,15,300 | 6x6                       | Slipfitter Knuckle    | 5000K |
| 14100158   | FML120UW-50BTSRPC | 120W    | 400W HID   | 14,350,15,300 | 6x6                       | Trunnion              | 5000K |
| 14100159   | FMX200UW-40BSKRPC | 200W    | 750W HID   | 29,590-31,100 | 6x6                       | Slipfitter Knuckle    | 4000K |
| 14100161   | FMX200UW-40BTSRPC | 200W    | 750W HID   | 29,590-31,100 | 6x6                       | Trunnion              | 4000K |
| 14100160   | FMX200UW-50BSKRPC | 200W    | 750W HID   | 29,590-31,100 | 6x6                       | Slipfitter Knuckle    | 5000K |
| 14100162   | FMX200UW-50BTSRPC | 200W    | 750W HID   | 29,590-31,100 | 6x6                       | Trunnion              | 5000K |
| 14100163   | FMX310UW-40BSKRPC | 310W    | 1,000W HID | 39,600-41,600 | 6x6                       | Slipfitter Knuckle    | 4000K |
| 14100165   | FMX310UW-40BSKRPC | 310W    | 1,000W HID | 39,600-41,600 | 6x6                       | Trunnion              | 4000K |
| 14100164   | FMX310UW-50BSKRPC | 310W    | 1,000W HID | 39,600-41,600 | 6x6                       | Slipfitter Knuckle    | 5000K |
| 14100166   | FMX310UW-50BTSRPC | 310W    | 1,000W HID | 39,600-41,600 | 6x6                       | Trunnion              | 5000K |

**ACCESSORIES**

| ITEM ACCESSORY | ITEM NAME   | DESCRIPTION   | ITEM IMAGE  |
|----------------|-------------|---|---|
| VISORS         | FMS-VISOR-B | Top or Bottom Visor (order 2 for full visor)                      |  |
|                | FMM-VISOR-B | Top or Bottom Visor (order 2 for full visor)                      |   |
|                | FML-VISOR-B | Top or Bottom Visor (order 2 for full visor)                      |   |
|                | FMX-VISOR-B | Top or Bottom Visor (order 2 for full visor)                      |   |
| Photocontrols  | 6390LBK     | Twist-Lock Electronic Photocontrol 120/208/240/277V- FML/FMX Only |  |
|                | 6394LL      | Twist-Lock Electronic Photocontrol 432-528VAC- FML/FMX Only       |  |
| Tennon Reducer | 101679      | Tennon Reducer, 2-3/8" to 1/2", Bronze                            |  |
| Vandal Shield  | FMS-VANDAL  | Vandal shield (IK08) for FMS series                               |   |

**LINE DRAWINGS:**

**20W 30W with 1/2" THREAD KNUCKLE MOUNT**



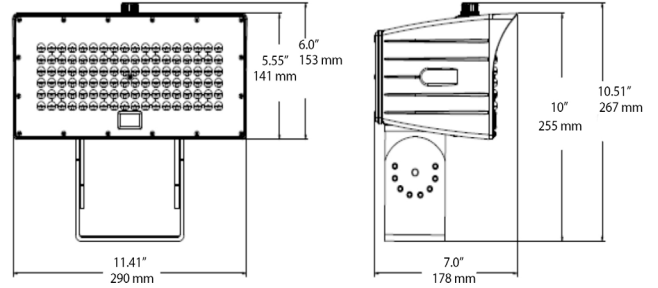
**20W 30W with Trunnion Swivel**



**50W 80W with 1/2" THREAD KNUCKLE MOUNT**



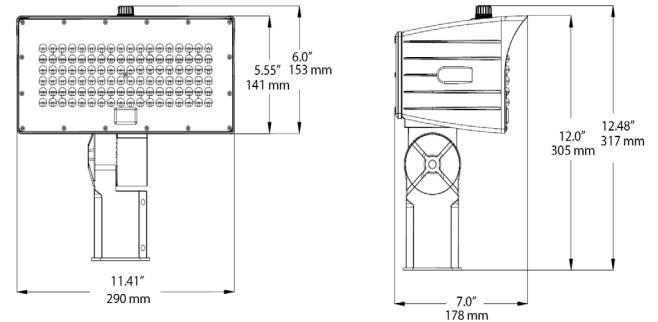
**50W 80W with TRUNNION SWIVEL MOUNT**



**120W with Slip fitter Knuckle**



**50W 80W with Slip Fitter Knuckle**



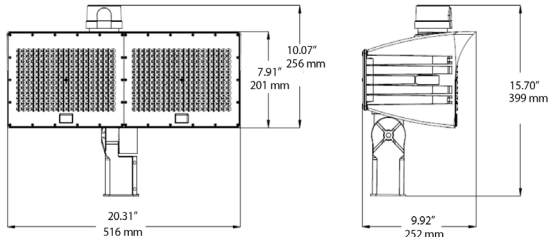
**120W with TRUNNION SWIVEL MOUNT**



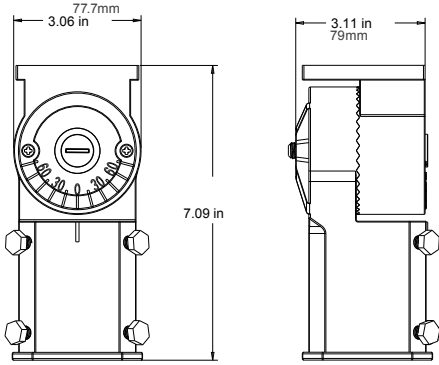
**200W 310W with TRUNNION SWIVEL MOUNT**



**200W 310W with Slip fitter Knuckle**



**MOUNTING DIMENSIONS:**



Slipfitter Knuckle (50/80/120/200/310W)

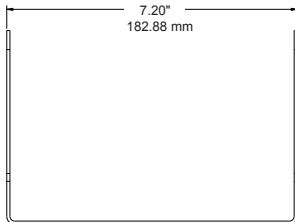


Knuckle 1/2" Thread (20/30W)

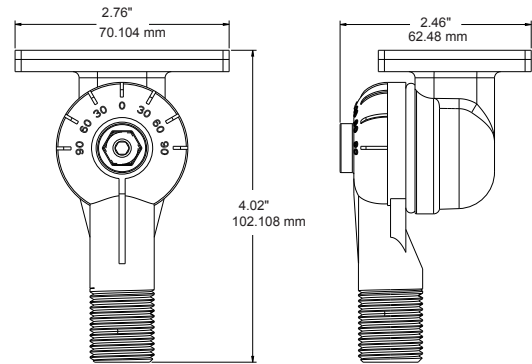
Trunion Swivel  
(50/80/120/200/310W)



**DIMENSIONS:**



Trunion Swivel (FMS 20/30W)



Knuckle 1/2" Thread (FMM 50/80W)

## ISOFOOTCANDLE:

Each gridline represents one mounting height.  
 For mounting heights other than noted multiply FC by the below factor.  
 Factor =  $\frac{(\text{Chart's Mtg Height})^2}{(\text{Actual Mtg Height})^2}$

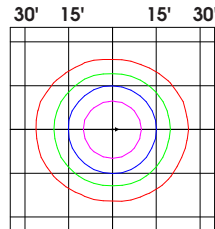
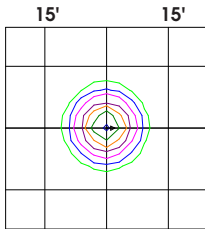
### LEGEND

- |  |  |
|--|--|
| <span style="display:inline-block; width:15px; height:15px; background-color:lightgreen; border:1px solid black;"></span> 0.5 fc | <span style="display:inline-block; width:15px; height:15px; background-color:orange; border:1px solid black;"></span> 10 fc    |
| <span style="display:inline-block; width:15px; height:15px; background-color:blue; border:1px solid black;"></span> 1 fc         | <span style="display:inline-block; width:15px; height:15px; background-color:darkgreen; border:1px solid black;"></span> 20 fc |
| <span style="display:inline-block; width:15px; height:15px; background-color:purple; border:1px solid black;"></span> 2 fc       | <span style="display:inline-block; width:15px; height:15px; background-color:darkblue; border:1px solid black;"></span> 50 fc  |
| <span style="display:inline-block; width:15px; height:15px; background-color:purple; border:1px solid black;"></span> 5 fc       |  |

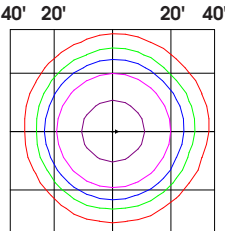
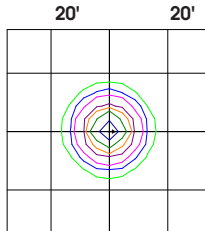
### NARROW

### WIDE

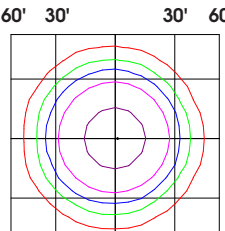
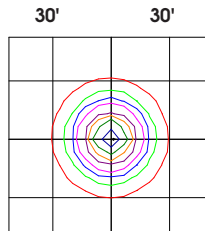
**20 WATT**  
15' ft Set back



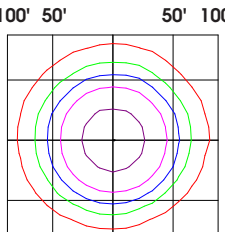
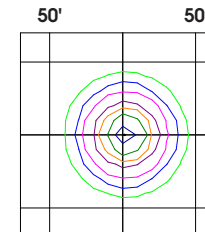
**50 WATT**  
20' ft Set back



**120 WATT**  
30' ft Set back



**310 WATT**  
50' ft Set back



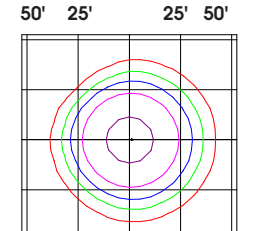
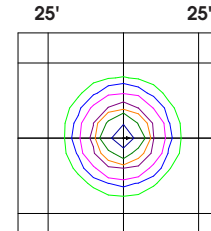
### NARROW

### WIDE

**30 WATT**  
18' ft Set back



**80 WATT**  
25' ft Set back



**200 WATT**  
40' ft Set back

