

LED SMALL FLOOD FLS SERIES



See page 3 for dimensions



PRODUCT DESCRIPTION:

The LED Small Floods are efficient, energy-saving replacements for metal halide and quartz halogen fixtures. Each luminaire features an integral listed driver, potted within a separate compartment to ensure cool operation and longer lifetime. The 15-, 20-, 40-, and 50-watt luminaires can mount at a broad range of angles with a yoke style arm and a 1/2" NPT threaded nipple.

FEATURES:

- Replaces 100 watt quartz halogen through 250 watt metal halide lamps
- Up to 210,000-hour L70 lifetime, TM-21 standards @ 25°C
- Wide and Narrow beam distributions available
- Reflector reduces glare and improves appearance
- Universal, voltage-specific photocell available
- LM-79/80 reports available
- Sealed fixture is dirt and bug free
- 5 year warranty

MOUNTING:

All models come standard with a yoke and a 1/2" NPT strain relief fitting for easy installation



1/2" threaded nipple allows for easy installation to weather proof boxes or landscape mounting posts.

MODEL SELECTION (Full list of order codes on pg. 2)

Typical order example: FLS20U50B/NPC

FLS		U	50				
FAMILY	NOMINAL POWER, EQUIVALENCY	VOLTAGE	CCT	FINISH	DISTRIBUTION	LENS	CONTROLS
FLS= Small Flood	15= 15W, 100W Quartz Halogen equivalent 20= 20W, 150W Metal Halide equivalent 40= 40W, 175W Quartz Halogen equivalent 50= 50W, 250W Metal Halide equivalent	U= 120-277V	40= 4000K 50= 5000K	B= Bronze, std W= White	(OMIT)= Wide ¹ /N= Narrow ¹	(OMIT)= Glass, std	(OMIT)= None P1²= 120-277V Photocell

ACCESSORIES

ORDER CODE	MODEL NUMBER	DESCRIPTION	ACCESSORIES IMAGE
101679	TR2.37BZ	Tennon Reducer, 2-3/8" to 1/2", Bronze	

NOTES:

1. See Specifications Table for NEMA distributions.
2. This is possible only with the 40W and 50W options.

*Made-to-order item. Please contact your MaxLite representative for order quantities and lead times.

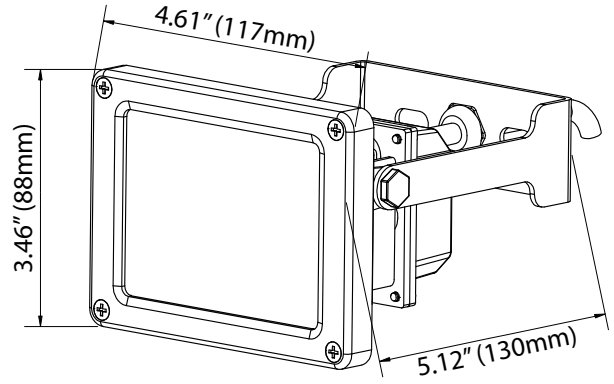
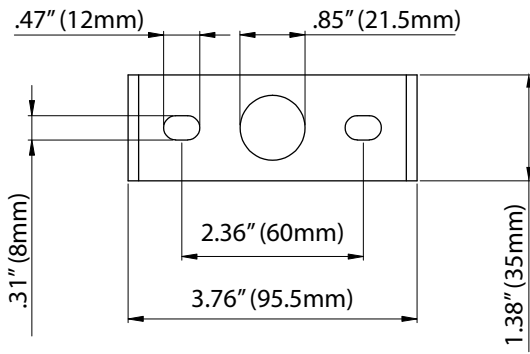
SPECIFICATIONS:

ITEM	SPECIFICATION	DETAILS							
		FLS15 UXXB	FLS20 UXXB	FLS40 UXXB	FLS50 UXXB	FLS15 UXXB/N	FLS20 UXXB/N	FLS40 UXXB/N	FLS50 UXXB/N
GENERAL PERFORMANCE	Horizontal NEMA Beam Spread	6H	7H	7H	7H	5H	4H	5H	5H
	Vertical NEMA Beam Spread	6V	6V	6V	7V	5V	4V	5V	5V
	Input Power (W)	14	19	36	49	14	18	36	49
	Lumens Delivered, 4000K (lm)	1400	2195	4525	5315	1495	2315	4545	5270
	Lumens Delivered, 5000K (lm)	1260	1985	4010	5290	1255	2000	3705	5420
	Efficacy (lm/W)	95-113	109-124	112-123	107-108	96-121	111-130	105-123	106-110
	Lumen Maintenance (L70 hours, TM-21 @ 25°C)	210,000	210,000	55,000	55,000	210,000	210,000	55,000	55,000
	Color Rendering Index (CRI)	≥70							
	CCT	5000K							
	Spacing Criteria	Available Upon Request							
	Color Consistency	Proprietary binning for uniform color							
ELECTRICAL	Power Factor (277V)	> 0.88							
	Input Voltage (V)	120-277, 50/60Hz							
PHYSICAL	Housing	Die-cast aluminum							
	Lens	Tempered Glass							
	Mounting	Yoke with ½" threaded fitting							
CERTIFICATION	Certifications	cULus, LM-79, LM-80, TM-21, DLC Standard (FLS15, FLS40, FLS50), DLC PREMIUM (FLS20)							
	Operating Temperature	-30°F to 130°F							
	Environment	Outdoor, wet locations							
	Humidity	20% - 85% RH, non condensing							
	Warranty	5 Year							

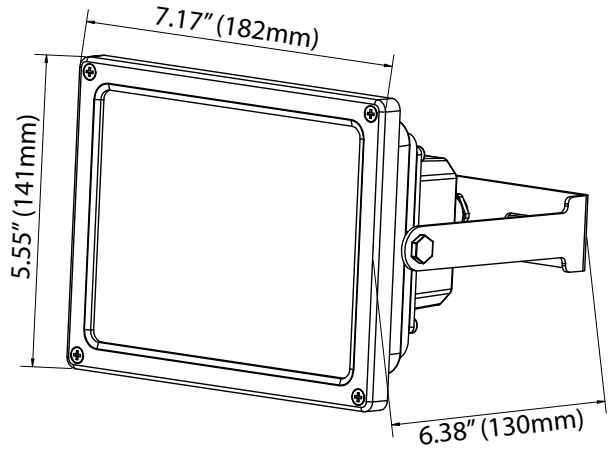
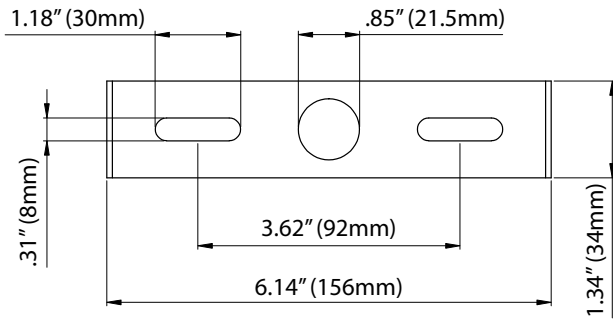
ORDERING:

ORDER CODE	MODEL	DISTRIBUTION	NOMINAL POWER (WATTS)	FINISH	CCT
77088	FLS15U50B	WIDE	15	BRONZE	5000K
77067	FLS15U50B/N	NARROW	15	BRONZE	
95360	FLS15U50W	WIDE	15	WHITE	
77089	FLS20U50B	WIDE	20	BRONZE	
77069	FLS20U50B/N	NARROW	20	BRONZE	
77090	FLS40U50B	WIDE	40	BRONZE	
77071	FLS40U50B/N	NARROW	40	BRONZE	
95362	FLS40U50W	WIDE	40	WHITE	
77091	FLS50U50B	WIDE	50	BRONZE	
77073	FLS50U50B/N	NARROW	50	BRONZE	

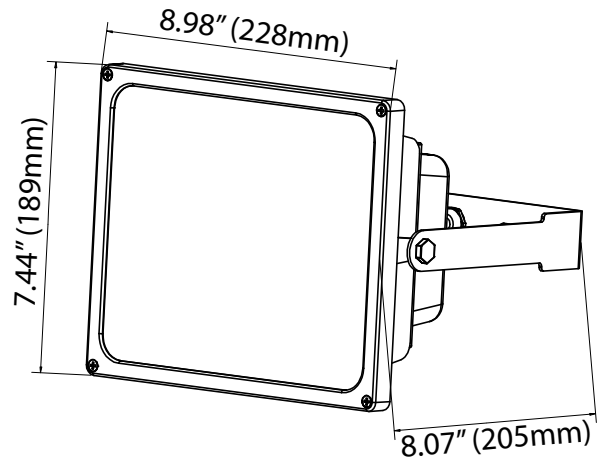
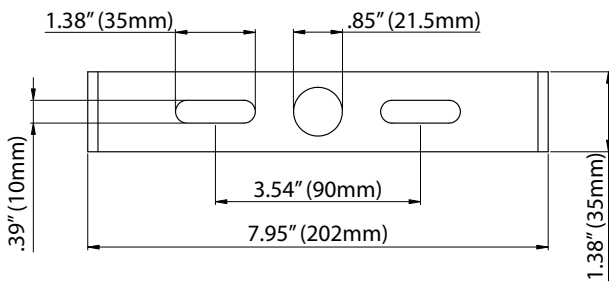
DIMENSIONS:



FLS15U50B



FLS20U50B



FLS40U50B & FLS50U50B