

## EMERGENCY LIGHT SERIES

**FEATURES:**

- High impact UV stabilized flame rated thermoplastic housing UL94 V-0
- 120V or 277V AC input
- Nickel Cadmium (NiCad) battery meets UL 90 minute emergency lighting requirement
- Test switch and AC-On indicator included
- Wall or ceiling mount capabilities, canopy included
- Single or double face with removable chevrons
- Combo heads adjustable
- Self Diagnostic option available
- Operating temperatures 20°C-30°C (EXT-RW 10-40°C), EXC-RSQWRC (20-30°C)
- White finish standard, Black available as special order

**CERTIFICATIONS:**

- UL924 Listed for Damp Locations (DL)

**WARRANTY:**

5-year standard warranty\* (further details available at [www.maxlite.com/warranties](http://www.maxlite.com/warranties))

\*Product may be eligible for a warranty extension to 10 years, for an additional fee. Contact MaxLite for details.



EX-RW



EXC-GW



EXE-GS1S

**ORDERING INFORMATION:**

| PRODUCT IMAGE | ORDER NUMBER | MODEL    | DESCRIPTION   | PERFORMANCE  |
|---------------|--------------|----------|---|--|
|               | 14101486     | EX-RW    | EXIT, THERMOPLASTIC, RED LETTERS                      | 1.78/1.88W (120/277V) draw                                 |
|               | 14101486     | EX-RWRC  | EXIT, THERMOPLASTIC, RED LETTERS, REMOTE HEAD CAPABLE | 3.6/4.14W (120/277V) draw, up to 2 additional remote heads |
|               | 105541       | EXT-RW   | THIN EXIT, THERMOPLASTIC, RED LETTERS                 | 1.43/1.51W (120/277V) draw                                 |
|               | 108271       | EXE-RWIS | EDGELIT EXIT, RED LETTERS, WHITE, 1 SIDE              | 4.2W (120/277V) draw                                       |
|               | 107782       | EXE-RW2S | EDGELIT EXIT, RED LETTERS, WHITE, 2 SIDE              | 4.2W (120/277V) draw                                       |
|               | 14101487     | EX-GW    | EXIT, THERMOPLASTIC, GREEN LETTERS                    | 2.46W (120/277V) draw                                      |

## EMERGENCY LIGHT SERIES

### ORDERING INFORMATION:

| PRODUCT IMAGE | ORDER NUMBER | MODEL      | DESCRIPTION  | PERFORMANCE   |
|---------------|--------------|------------|--|---|
|               | 103368       | EX-GWRC    | EXIT, THERMOPLASTIC, GREEN LETTERS, REMOTE HEAD CAPABLE                                      | 3.28/3.81W (120/277V) draw, up to 2 additional remote heads                 |
|               | 105542       | EXT-GW     | THIN EXIT, THERMOPLASTIC, GREEN LETTERS  | 1.43/1.51W (120/277V) draw  |
|               | 105545       | EXE-GS1S   | EDGELIT EXIT, GREEN LETTERS, SILVER, 1 SIDE  | 4.2W (120/277V) draw  |
|               | 108272       | EXE-GW1S   | EDGELIT EXIT, GREEN LETTERS, WHITE, 1 SIDE   | 4.2W (120/277V) draw  |
|               | 107747       | EXE-GW2S   | EDGELIT EXIT, GREEN LETTERS, WHITE, 2 SIDE   | 4.2W (120/277V) draw  |
|               | 14101488     | EXC-RW     | EXIT & EMERGENCY COMBO, THERMOPLASTIC, RED LETTERS   | 76 lumens per head, 5/4.8W draw (120/277V)                                  |
|               | 103370       | EXC-RWRC   | EXIT & EMERGENCY COMBO, THERMOPLASTIC, RED LETTERS, REMOTE HEAD CAPABLE                      | 76 lumens per head, 5/4.8W draw (120/277V), up to 2 additional remote heads |
|               | 105543       | EXTC-RW    | THIN EXIT & EMERGENCY COMBO, THERMOPLASTIC, RED LETTERS                                      | 1.66/1.85W (120/277V) draw  |
|               | 108282       | EXC-RSQWRC | EXIT & EMERGENCY COMBO, THERMOPLASTIC, RED LETTERS, SQUARE HEADS, WHITE, REMOTE HEAD CAPABLE | 41 lumens per head, 3.5W (120/277V), up to 2 additional remote heads        |
|               | 14101489     | EXC-GW     | EXIT & EMERGENCY COMBO, THERMOPLASTIC, GREEN LETTERS   | 76 lumens per head, 3.9W draw (120/277V)                                    |
|               | 103371       | EXC-GWRC   | EXIT & EMERGENCY COMBO, THERMOPLASTIC, GREEN LETTERS, REMOTE HEAD CAPABLE                    | 76 lumens per head, 3.9W draw (120/277V), up to 2 additional remote heads   |
|               | 105544       | EXTC-GW    | THIN EXIT & EMERGENCY COMBO, THERMOPLASTIC, GREEN LETTERS                                    | 1.66/1.85W (120/277V) draw  |

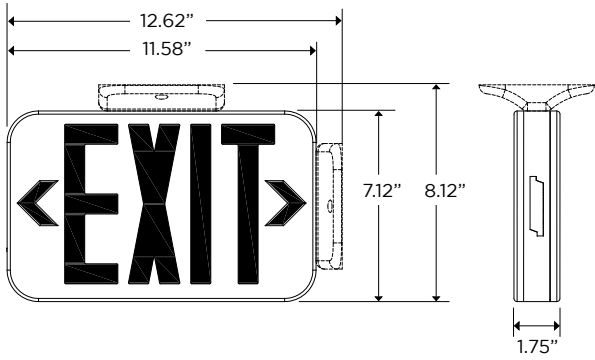
### SPECIAL ORDER QUICK SHIP ITEMS:

| PRODUCT IMAGE | ORDER NUMBER | MODEL    | DESCRIPTION   | PERFORMANCE  |
|---------------|--------------|----------|---|--|
|               | 105935       | EX-RWSD  | EXIT, THERMOPLASTIC, RED LETTERS, SELF DIAGNOSTIC           | 264 lumens per head, 1.78/1.88W (120/277V) draw                  |
|               | 106238       | EX-RW2WL | EXIT, THERMOPLASTIC, RED LETTERS DOUBLE SIDED, WET-LOCATION | 1.78/1.88W (120/277V) draw, WL housing 12 5/8" x 8 1/8" x 2 1/2" |

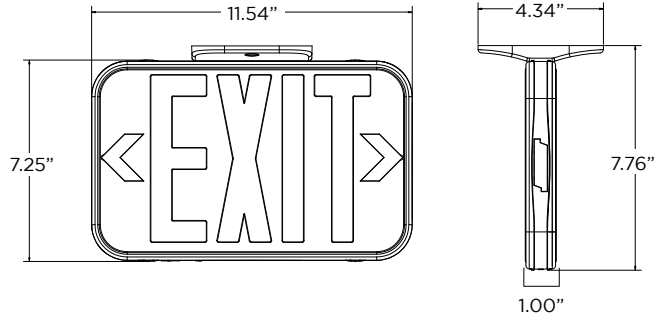
### ACCESSORIES:

| PRODUCT IMAGE | ORDER NUMBER | MODEL | DESCRIPTION               | PERFORMANCE   |
|---------------|--------------|-------|---------------------------|---|
|               | 105538       | EM-WG | Emergency/Exit Wire Guard | 16"x14"x7", hardware for internal wall mounting included, 2 required for combos (EXC) |

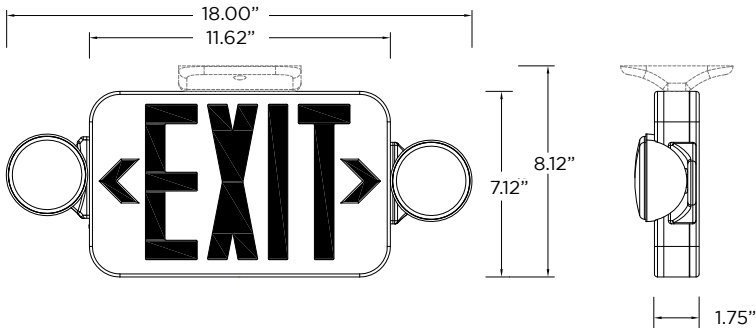
## EMERGENCY LIGHT SERIES



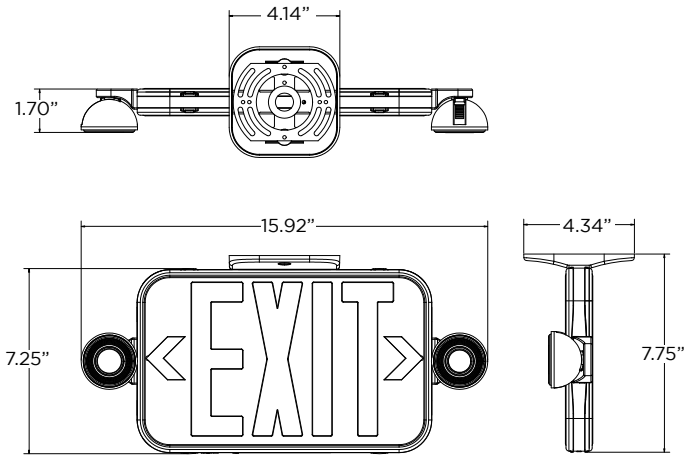
EX-RW & EX-GW



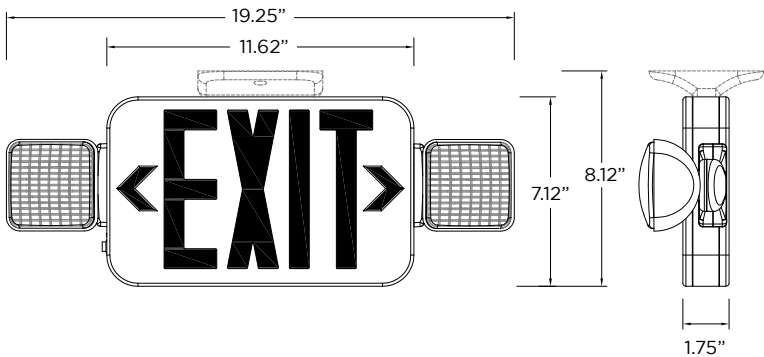
EXT-RW



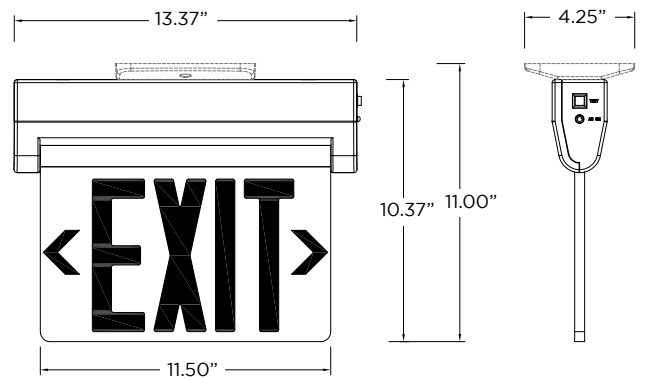
EX-Series



EXT-Series



EXC-RSQWRC



EXE-Series