

EMERGENCY EXIT SERIES

The EX and EXC Exit Sign series offer quality emergency lighting solutions for stairway, hallway and other commercial office applications. The low profile makes it ideal to mount on walls or ceilings indicating the path of egress for up to 90 minutes after a power loss.

FEATURES:

- Long lasting LEDs - over 10 years
- High impact UV stabilized flame rated thermoplastic housing (UL94 V-0)
- 120V or 277V AC input
- Nickel Cadmium (NiCad) battery meets UL 90 minute emergency lighting requirement
- Test switch and AC-On indicator included
- Wall or ceiling mount capabilities
- Single or double face with removable chevrons
- Combo heads adjustable
- Remote Capable (RC) works with up to 2 remote heads
- Canopy included
- Temperature ratings are 20°-30°C

CERTIFICATIONS:

- UL924 Listed for Damp Locations (DL)
- CEC T20 Compliant
- NFPA 101 and NFPA 70
- OSHA

WARRANTY:

5-year standard warranty* (further details available at www.maxlite.com/warranties)

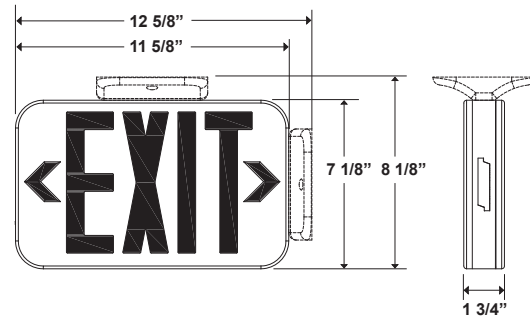
*Product may be eligible for a warranty extension to 10 years, for an additional fee. Contact MaxLite for details.



EX-RW



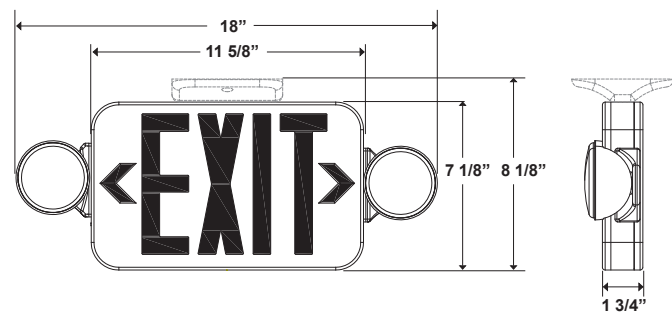
EX-GW



EXC-RW







EXC-GW



EMERGENCY EXIT SERIES

ORDERING INFORMATION:

| PRODUCT IMAGE | ORDER NUMBER | MODEL | DESCRIPTION | FINISH | PERFORMANCE |
|---|--------------|----------|--|--------|------------------------------|
|  | 14101486 | EX-RW | Exit, Thermoplastic, Red Letters, NiCad Battery, White | White | 1.78W (120V) 1.88W (277V) |
|  | 103369 | EX-RWRC | Exit, Thermoplastic, Red Letters, White, Remote Head Capable | White | 1.78W (120V) 1.88W (277V) |
|  | 14101487 | EX-GW | Exit, Thermoplastic, Green Letters, NiCad Battery, White | White | 1.49W (120V) 1.57 (277V) |
|  | 103368 | EX-GWRC | Exit, Thermoplastic, Green Letters, White, Remote Head Capable | White | 1.49W (120V) 1.57 (277V) |
|  | 14101488 | EXC-RW | Exit & Emergency Combo, Thermoplastic, Red Letters, NiCad Battery, White | White | 4.2W (120V) 3.2W (277V) |
|  | 103370 | EXC-RWRC | Exit & Emergency Combo, Thermoplastic, Red Letters, White, remote Head Capable | White | 4.2W (120V) 3.2W (277V) |
|  | 14101489 | EXC-GW | Exit & Emergency Combo, Thermoplastic, Green Letters, NiCad Battery, White | White | 3.22W (120V) 3.18W (277V) |
|  | 103371 | EXC-GWRC | Exit & Emergency Combo, Thermoplastic, Green Letters, White, remote Head Capable | White | 3.22W (120V) 3.18W (277V) |