

LED-51/52 Series

ULTRA COMPACT LED EMERGENCY UNIT

Model Number: Accessories: Job:	Approvals: Type:
---------------------------------------	-------------------------

FEATURES

- Injection-molded UL94V-0 flame rated thermoplastic housing
- 1 watt LED lamp heads provide 150 lumens and up to 25' on center spacing
- 2 watt performance LED lamp heads provide 250 lumens and up to 40' on center spacing
- Ultra bright 6000K SMD LEDs
- Wall or ceiling back mount
- Tool-less design allows for fast and easy installation
- Guardian (G2) option available (LED-52 only)
- Remote option provides 2 watts of remote capability (LED-52 only)
- UL 924 and cUL certified
- 120/277VAC, 60Hz
- Standard white finish; optional black
- Suitable for damp locations

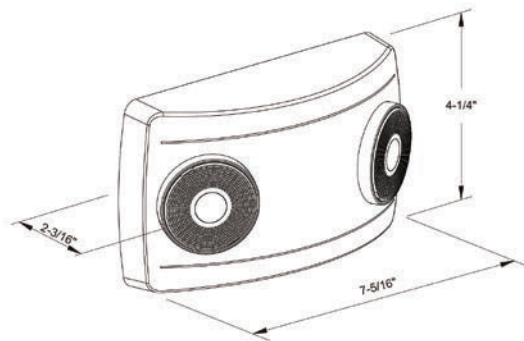


WARRANTY

Any component that fails due to manufacturers defect is guaranteed for 1 year with a separate 5 year pro-rated warranty on the battery. The warranty does not cover physical damage, abuse or acts of God. Manufacturer reserves the right to charge for such repairs if deemed necessary.



DIMENSIONS



SPECIFICATIONS ARE
 SUBJECT TO CHANGE
 WITHOUT NOTICE

ORDERING INFORMATION Example: ESW-ULTRA-G2

Series	Finish	Options (Factory Installed)	Accessories ² (Field Installed)
LED-51 = 1 Watt Lamps	WH = White	G2 ¹ = Self-Test/Self-Diagnostics	WG-1 = Wire Guard (Back Mount)
LED-52 = 2 Watt Lamps	BL = Black	R2 ¹ = Remote Capable (2 watts)	XG-1 = Polycarbonate Guard (Back Mount)

Notes

- ¹ Only available on LED-52
- ² Order as separate line item

CONSTRUCTION

Precision molded unit and lamp housings constructed of UV stable UL 94V-0 flame retardant, corrosion resistant thermoplastic. Units resist denting, peeling, scratching and corrosion. Tool-less access provided for easy maintenance.

ILLUMINATION

Two fully adjustable, attractive lamp heads allow for maximum light to be delivered to the path of egress. Fixtures are supplied with high powered SMD 1 watt LED lamps providing 150 total lumens or 2 watt LED lamps providing 250 total lumens, in a pure white color temperature of 6000K. The LEDs have an estimated life over 50,000 hours with normal use. The performance optics provide up to 40 foot on center spacing.

ELECTRICAL

Input

Dual-voltage input 120 or 277VAC @ 60Hz

Nickel Cadmium Battery (NiCad)

Nickel cadmium batteries are maintenance-free with a life expectancy of 15 years. Nickel cadmium batteries offer high discharge rates and continue to perform in a vast temperature range from 0°C to 40°C (32°F to 104°F)

Nickel Metal Hydride Battery (NiMH) Standard with remote capability

Nickel metal hydride batteries are maintenance-free with a life expectancy of 15 years. NiMH batteries perform optimally in temperatures ranging from 0°C to 40°C (32°F to 104°F)

Emergency

The LED-51 and LED-52 will operate for a minimum of 90 minutes during a loss of power with a 48 hour maximum recharge time for the battery.

Remote Capable (Option: R2 - Available with LED-52 only)

The R2 option provides an additional 2 watts of remote capability. For use with RL52 remote lamp.

Solid-State Transfer

The unit features a solid-state switching transistor which eliminates damaged contacts or mechanical failures associated with relays. The switching circuit is designed to detect a loss of AC power and automatically energizes the lamps. Upon restoration of the AC voltage, the emergency lamps will switch off and the charger will automatically recharge the battery.

Test Button

Our test button is easy to locate and allows for manual verification of proper operation of the transfer circuit and emergency lamps.

INSTALLATION

A universal J-box mounting pattern and rear keyhole slots are provided for wall or ceiling mounting.

Guardian Self-Test/Self-Diagnostics (Option: G2 - Available with LED-52 only)

The Guardian circuit continuously monitors the operating condition of the AC power, battery supply voltage, emergency lamp continuity and charging circuit.

The purpose of this option is to provide visual signaling in response to a fault. If a failure is detected, visual status will occur immediately via the CHARGER LED and/or the BATTERY FAULT LED. The LEDs will stay illuminated until the fault is corrected.

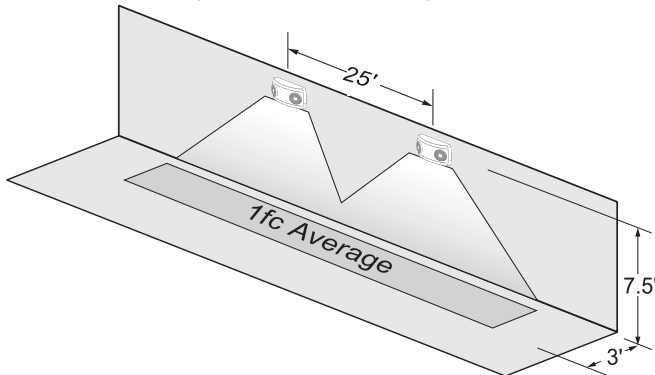
The Guardian circuit also monitors the transfer circuit as well as performing automatic code compliant testing. The Guardian circuit will perform a 30 second discharge and self-test every 28-30 days and a 90 minute discharge and Self-test every 6 months.

CONFORMANCE TO CODES & STANDARDS

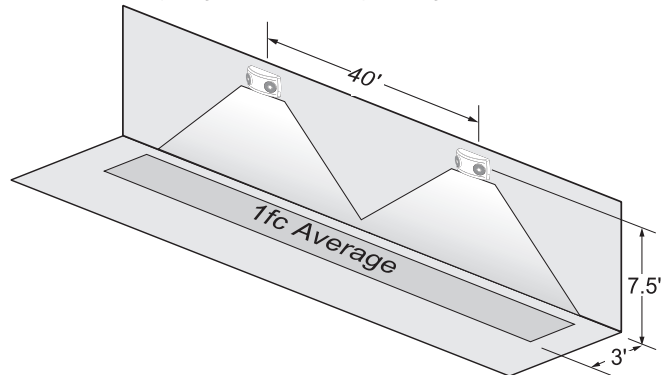
The LED-51 and LED-52 Series is UL listed and meets or exceeds the following: UL 924, cUL, NEC requirements and NFPA 101.

SAMPLE PHOTOMETRICS

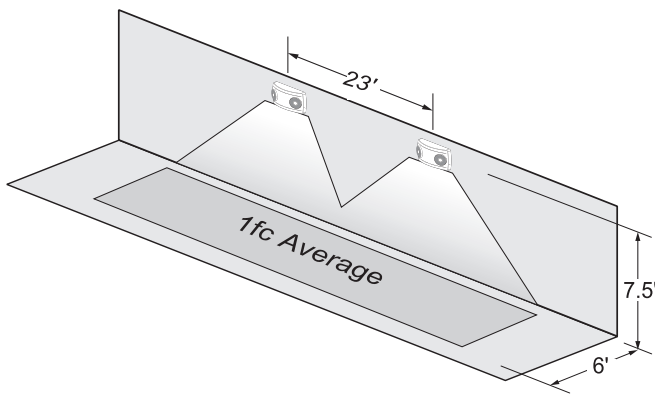
Using multiple LED-51 (1 watt) units mounted at a typical 7.5 foot height delivers 25 foot on center spacing with a 3 foot wide path of egress.



Using multiple LED-52 (2 watt) units mounted at a typical 7.5 foot height delivers 40 foot on center spacing with a 3 foot wide path of egress.



Using multiple LED-51 (1 watt) units mounted at a typical 7.5 foot height delivers 23 foot on center spacing with a 6 foot wide path of egress.



Using multiple LED-52 (2 watt) units mounted at a typical 7.5 foot height delivers 30 foot on center spacing with a 6 foot wide path of egress.

