

## SCL Series

### Steel Compact LED Emergency Lighting with Battery Access Compartment

The steel SCL series combines performance and dependability into a rugged 20 gauge enclosure.

#### FEATURES

- Standard tool-less front access battery compartment for easy and safe battery access and installation
- Includes two fully adjustable Renegade 3.6 watt LED lamps
- Up to 60ft Spacing
- Compact enclosure constructed of rugged 20 gauge steel
- Standard 6 volt, 8 watt
- Charge rate/ power "ON" LED indicator light with test button
- AC lockout for ease of installation and installer protection
- Low voltage disconnect eliminates deep discharge
- Brown-out, short circuit and voltage surge protection
- Maintenance-free NiMH battery
- 90 minute emergency run time, 24 hour recharge time
- Optional Guardian Self-Test/ Self-Diagnostics (G2)
- Guardian is available with optional Numeric Indicator (NI) for easy fixture status and fault identification
- Standard finish: White
- 120/277VAC dual primary, 50/60Hz input
- Assembled in the U.S.A.

#### WARRANTY

Any component that fails due to manufacturer's defect is guaranteed for 5 years with a separate 5 year pro-rated warranty on the battery. The warranty does not cover physical damage, abuse or acts of God. See the full Exitronix warranty document for detailed information.

Model: \_\_\_\_\_ Date: \_\_\_\_\_  
Accessories: \_\_\_\_\_  
Job Name: \_\_\_\_\_ Type: \_\_\_\_\_



Tool-less front access battery compartment for ease of maintenance.



Also available without Battery Access Compartment (Option: ND)



#### ORDERING INFORMATION Example: ESW-SCL-G2

Series	Wattage	Lamps	# Of Lamp Heads	Finish	Options
SCL	8 = 8 Watt	REN1 = PAR18 Renegade 3.6W LED REN3M <sup>1</sup> = PAR16 Renegade MAX 3.6W LED	2 = 2 Lamp Heads	W = White	G2 = Self-Test/Self-Diagnostics with LED Indicator G2-NI = Self-Test/Self-Diagnostics with Numeric Indicator ND = No Battery Door WL = Wide Lens 58°

Notes	Accessories <sup>2</sup> (Field Installed)
<sup>1</sup> REN3M lamp heads only available with NI option	ER1-KIT= 1ft Pendant Kit
<sup>2</sup> Order as separate line item	ER2-KIT= 2ft Pendant Kit

**CONSTRUCTION**

The SCL series features die-formed 20 gauge steel housings with epoxy powder coat finish. White finish is standard. Universal J-box mounting pattern and keyhole slots provided for simple installation. Standard tool-less front access battery compartment for easy and safe battery access and installation with a thumb screw for secure closure. A velcro battery strap is included as an additional safety feature.

**ILLUMINATION**

Fully adjustable, PAR16 lamp heads allow for maximum light to be delivered to the path of egress. The SCL series includes our RENEGADE LED lamp technology - 3.6W LED per head (REN3 heads).

**ELECTRICAL**

**Input**

Dual-voltage input 120 or 277VAC @ 50/60Hz

**Sealed Nickel Metal Hydride Battery – NiMH**

Exitronix nickel metal hydride batteries are maintenance-free with a life expectancy of 15 years. NiMH batteries perform optimally in temperatures ranging from 0°C to 40°C (32° to 104°F).

**Emergency**

The SCL series will operate for a minimum of 90 minutes during a loss of power with a 24 hour maximum recharge time for the battery.

**Brownout Circuit**

The brownout circuit monitors the line voltage. As the line voltage sags and can no longer provide adequate voltage, the emergency lighting circuit will turn on to supply power to the emergency lamps for 90 minutes until the line voltage is restored.

**Low Voltage Disconnect**

Low Voltage Disconnect (LVD) measures the battery terminal voltage and if it should fall below a preset voltage threshold, the LVD will disconnect the load. When the battery is recharging and voltage is raised above another preset threshold, the load is automatically reconnected.

**Overload and Short-Circuit Protection**

The overload monitoring system in the DC circuit disconnects the lamp load from the battery should excessive wattage demands be made.

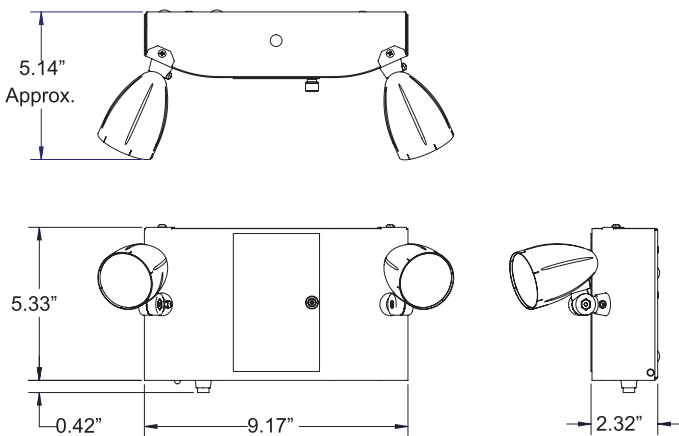
**Test Button**

The test button is easy to locate and provides manual verification of the transfer circuit and emergency lamps.

**INSTALLATION**

A universal mounting pattern and rear keyhole slots are provided for wall mounting.

**DIMENSIONS**



**Assembled in the USA**

The SCL complies with LEVEL 1 of the American Recovery and Reinvestment Act of 2009 (ARRA) requirements and Buy American provisions.

**Guardian Self-Test/Self-Diagnostics (G2)**

The Guardian circuit continuously monitors the operating condition of the AC power, battery supply voltage, emergency lamp continuity and charging circuit.

The purpose of this option is to provide visual signaling in response to a fault at the EXIT sign battery and/or battery charger. If a failure is detected, visual status will occur immediately via LED indicators or the optional numeric indicator (NI). The code will display until the fault is corrected.

The Guardian circuit also monitors the transfer circuit as well as performing automatic code compliant testing. The Guardian circuit will perform a 90 minute self-test every 180 days. A 5 minute manual test can be initiated by the user.

**Numeric Indicator (NI)**

The NI feature provides a numeric indication of the system status, used in conjunction with the Guardian G2 Self-Test/Self-Diagnostic option.

Code	Description	Code	Description
1	Float Charge	6	Lamp Failure
2	High Rate Charge	7	Low Battery Voltage
3	Discharging	8	Manual Testing
4	Charger Failure	9	Self Testing
5	Battery Disconnected		

**CONFORMANCE TO CODES & STANDARDS**

The SCL Series meets or exceeds NEC requirements and NFPA 101.

**SAMPLE PHOTOMETRICS**

Using multiple units mounted at a typical 7.17' height delivers 50' center-to-center spacing on a 6' wide egress path.

