

ESW-LEDR-7

RECESSED LED EMERGENCY UNIT

STANDARD



ILLUMINATION

- Two fully adjustable 1.0W white LED lamp heads.
- High performance chrome-plated metal reflectors and plastic lens for optimal light distribution.

ELECTRICAL

- Dual 120/277 voltage.
- Charge rate/power "ON" LED indicator light and push-to-test switch for mandated code compliance testing.
- LVD (low voltage disconnect) prevents battery from deep discharge.
- 6V maintenance-free, rechargeable sealed lead acid battery.
- Internal solid-state transfer switch automatically connects the internal battery to lamp heads for minimum 90-minute emergency illumination.
- Fully automatic solid-state, two rate charger initiates battery charging to recharge a discharged battery in 24 hours.
- Remote capacity of 10W standard.

MOUNTING

- Bar hangers on the back box for recessed mount.
- Compatible with drop ceiling mount installations. Bar hangers included.

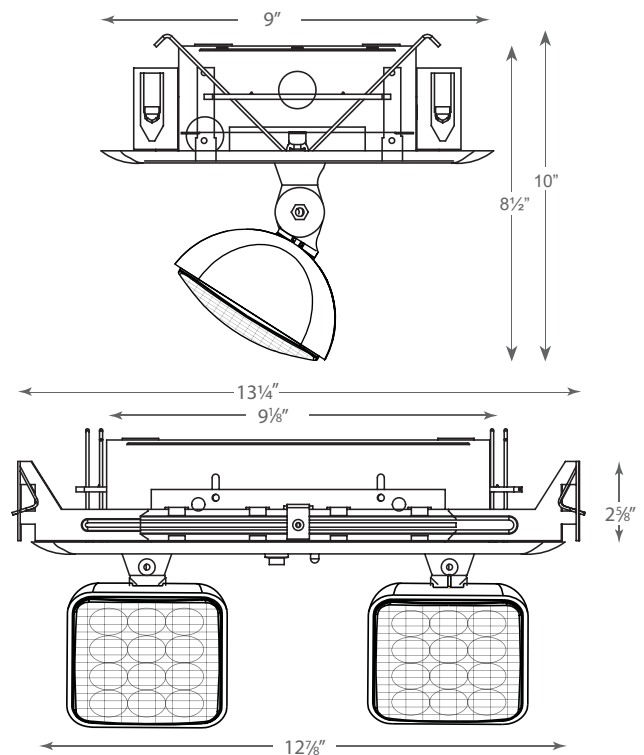
HOUSING

- Durable 20-gauge steel trim plate in white or black finish.
- Trim securely attached to housing with spring clips.

WARRANTY / LISTING

- Five year warranty on all electronics and housing. Battery pro rated for two years.
- Meets UL924, NFPA 101 Life Safety Code, NEC, OSHA, Local and State Codes.
- UL Listed for dry locations. (25°C)

DIMENSIONS



Sample Part Number: **ESW-LEDR-7**

MODEL	HOUSING COLOR	
	ESW-LEDR-7	Blank
	B	Black