

Sovereign

Explosion Proof LED Edgelit Exit Sign

Sovereign SXP sets new standards in Hazardous Location Exit signs as the first explosion proof self-contained emergency LED edgelit Exit or Custom Graphic sign. The classic Sovereign curved legend panel blends to create a classic "floating" edgelit appearance. Quality construction includes precision cast aluminum housing with a unique, crystal clear laser formed acrylic light guide. The Sovereign utilizes the latest high efficiency light sources to provide vivid pronouncement of the legend with exceptional uniformity.

Code Compliance, meets or exceeds requirements for NFPA 101:

Class I, Division 1, Groups C & D
Class I, Division 2, Groups A, B, C & D
Class II, Division 1, Groups E, F & G
Class III, Division 1
Class I, Zone 1, Groups IIA, IIB,
Class I Zone 2, Groups IIA, IIB + H2 & IIC
Marine Outside Type
UL 1598A, 844, 924
IP65

Features

- Maintenance free LED light source with 25+ years life expectancy
- Refractive light guide is engineered to optimize LED utilization and illumination uniformity
- High intensity LED array provides exceptional energy efficiency with less than 3 watts power consumption.
- Quality Copper-free cast aluminum housing finished with gray epoxy powder coat
- 1/2" NPT conduit hubs
- Available in Wall, Pendant or End Mount configurations
- Full European pictogram Exit range available to order
- Custom Graphic signs available to order, also available with Phantom illumination (legend not visible in the off mode) or Stencil illumination for always visible legends and graphics
- 3 Year Warranty



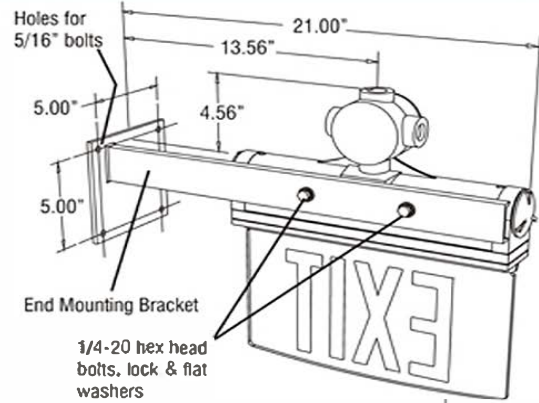
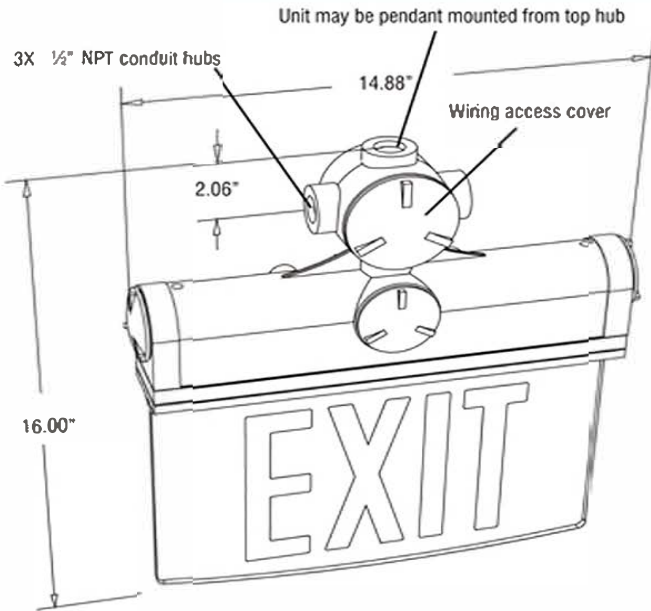
Electronics

- Electronic control circuit applies full wave, low ripple current to each LED thereby optimizing life and light output. A diagnostic self compensating constant current charger circuit monitors the condition of the battery pack and indicates via a flashing LED when battery needs replacing
- Universal 120 or 277 VAC field selectable input. Other voltages are available to order. All versions feature fully integral electronic components
- Available in AC only operation (AC) or self contained battery back up (EM) models
- Self Test / Self Diagnostic circuit with infra-red remote testing available
- UL listed 3 Hour battery backup runtime with Premium long life high temperature fused nickel cadmium battery pack
- Circuitry includes - Zero current LVCO, Brownout sensing & Line-Latch



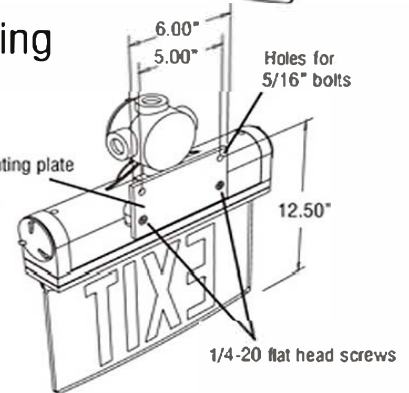
Sovereign

Explosion Proof LED Edgelit Exit Sign



End Mounting

Wall Mounting



Ordering Guide

SXP **EM** **R** **1W** **AR** **WP** **OPTIONS**

Operation

AC AC Only 120/277 VAC
EM Battery Backup Emergency

Legend Size/Letter Color

R RED - Standard 6" EXIT
G GREEN - Standard 6" EXIT
C Custom Graphics (Specify)

Faces/Background

1W Single Face, White Background
2W Double Face, White Background

Chevron Direction

UC Field Installed Adhesive Chevron Indicators
AR Arrow Right <EXIT>
AL Arrow Left <EXIT
AA Double Arrow <EXIT>
LR Arrow Left/Arrow Right <EXIT/EXIT>
(Double Face units only)
Factory installation of Chevrons is recommended for Double Face Signs

Options

F Flash in Emergency Mode (EM Models) or continuous Flash in AC models
EU Euro Legends (Consult factory for full range)
VA Other Input Supply Voltage (specify Volts and Frequency)
SD Self-Test / Self-Diagnostic
IR Self-Diagnostics with Infra-Red Remote Testing (EM models only)
TLRT Infra-Red Transmitter (order separately)

Mounting

WP Wall Mounting
EB End Mount Bracket
PM Pendant Mounting (Conduit supplied by others)

Power Consumption

Type	Volts	Max Watts	Power Factor
RED AC Only	120 / 277	1.5	.70
RED Battery Backup	120 / 277	2.5	.70
GREEN AC Only	120 / 277	2.3	.70
GREEN Battery Backup	120 / 277	3.0	.76

Fixture Schedule	Project Name:	Approved By:
	Catalog No:	Type No: