

6" Metal Surface/Recess-Mount Edge-Lit Exit Signs

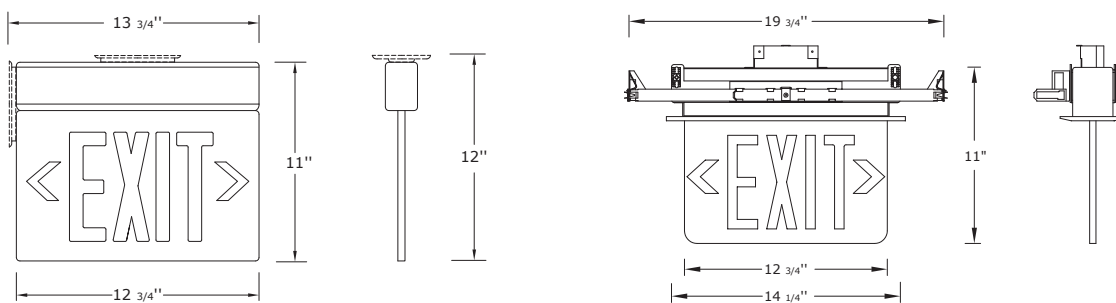
ESW-EL-PC-Series model offers specification-grade aesthetics with in-field installation flexibility, which are ideal for architectural applications.



Features

- Dual-voltage input 120V/277V
- Energy-saving LED
- High-polish, injection-molded virgin acrylic panel, ultrasonically welded to eliminate visible hardware
- Maintenance-free nickel-cadmium battery
- Graduated depth of molded letters provides uniform light distribution on graphics
- Mirror divider on double-face versions
- Field-applied chevron directional indicator
- Temp rating: 20o 30° ambient
- UL 924 Listed
- CSA Listed

Dimensions



Ordering Information

Series	Mounting Options	Operation	Number of Faces	Letter Color	Finish	Options	Example Cat #
ESW-EL-PC	S = Surface Mount R = Recess Mount	Blank = AC Only B = Battery Backup	1 = Single Face 2 = Double Face	R = Red G = Green	W = White B = Black A = Aluminum	Blank = Regular Version SD = Self Diagnostic	ESW-EL-PC