

HIGH-OUTPUT LED FLOOD LIGHTS AND HIGHBAYS

StaxMAX™ Series

**HBMB
bracket**



*Each StaxMAX™ flood fixture module can be configured with either narrow, medium or wide optics.



**AYMB
bracket**

**OPTIONAL
ADJUSTABLE
BRACKET
Option E
shown**



**Dimensional
Drawings on page 4**



PRODUCT DESCRIPTION:

Ideal for car dealerships, sports parks, golf driving ranges, facades, general area and high bay appliance, the StaxMAX™ is a unique and flexible system, comprised of self-contained modular elements, allowing variability in both lumen output and light distributions. The StaxMAX™ can be specified in one-, two- or three- 135 watt modules or in a triple 180 watt module configuration where each module can have one or three available optical distributions. In total, the StaxMAX™ is capable of replacing up to 1500W metal halide fixtures.

FEATURES:

- Modular housing design – up to three modules can be combined
- 22-, 55- and 120-degree open beam for various types of applications
- IP66-rated
- Discreet J-Box on each frame enables easy field install
- Standard 0-10V dimming available on 120-277V models; 347-480V non-dimming models available
- ≥75,000 hour life (L70)
- Multiple circuits on each module guard against full module light outage
- 4Kv driver integral surge protection standard; 20KV surge protection available
- Heaviest configuration conforms to ANSI C136.31 3G vibration rating standards
- 5 year limited warranty
- Suitable for natatorium environment




MOUNTING:

- High Bay (HBMB): suitable for ¾" NPS mono-stem mount (Dimensions available on page 5)
- Arch Yoke (AYMB): suitable for surface mounting (Dimensions available on pages 4-5)
- Pole Tenon (PTMB): suitable for tenon mounting when combined with HBMB. Accommodates tenons with maximum O.D. of Ø3.2", and minimal length of 5.5"

MODEL SELECTION (Full list of order codes on pg. 3)				Typical order example: ELLF180DW50			
ELLF				50			
FAMILY	POWER, EQUIVALENCY	VOLTAGE	DISTRIBUTION	CCT	MOUNTING BRACKET	COLOR	OPTIONS
ELLF= High Output Flood	180= 180W, 400W MH equivalent 360= 360W, 1000W MH equivalent 540= 540W, 1500W MH equivalent	D= 120-277V, 0-10V dimmable 4= 347-480V	N= Narrow 22° M= Medium 55° W= Wide 120° *C= Custom	50= 5000K	(OMIT)= Arch Yoke H= High Bay	(OMIT)= Gray, RAL 7035 (Std) *L= Black	(OMIT)= None E= (See table)

OPTIONS	
E	Adjustable Bracket, Photocontrol Receptacle, 20KV Surge Suppressor, 3 ft - 14 AWG whip - 3 conductor (Black/White/Green)

* Special order item. Please contact MaxLite representative for quantities and lead times.

ACCESSORIES			
ORDER CODE	MODEL NUMBER	DESCRIPTION	ACCESSORIES IMAGE
72881	PTMB	Pole Tenon Mount bracket (To be used with HBMB bracket only)	
96375	PTMBC	3-5/16" Cap For Pole Tenon Mount Bracket	
72882	HBMB	High Bay Mount bracket	

SPECIFICATIONS:

ITEM	SPECIFICATION	DETAILS		
		ELLF180XXX	ELLF360XXX	ELLF540XXX
GENERAL PERFORMANCE	Color Temperature (CCT)	5000K		
	CRI	76		
	Lumens Delivered (lm)	Up to 18,970	Up to 37,940	Up to 56,910
	Efficacy (lm/W)	96 to 105	95 to 105	96 to 105
	L70 lifetime @ 25°C	75,000 Hours		
ELECTRICAL	Power Consumption	180W	360W	540W
	Power Factor	>0.9		
	Input Voltage	120V-277V		
PHYSICAL	Dimensions (H" x W" x L")	7.4" x 21.4" x 21.1"	14.5" x 20.4" x 20.4"	19.6" x 21.1" x 21.1"
	EPA	0.9 sq. ft	1.8 sq. ft	2.7 sq. ft
	Weight	14 lbs	26 lbs	37 lbs
	Housing	Die cast aluminum with powder coat paint		
	Mounting	Module is trunnion mounted to carriage with 270 degree pivoting bolt pattern		
	Max. Ambient Temperature	-40°C to 55°C (-40°F - 131°F)		
APPLICATION	Certification	cULus, FCC, LM79, LM80, DLC standard		
	Material Usage	RoHS compliant; no mercury		
	Environment	IP66		
	Humidity	5% - 90% RH, non condensing		
	Warranty	5 Year		

ORDERING*:

ORDER CODE	MODEL	OPTIONS	MOUNTING	VOLTAGE	BEAM ANGLE	CCT	POWER (W)
74540	ELLF180DM50	None	Arch Yoke	120-277	58	5000K	178
74538	ELLF180DN50	None	Arch Yoke	120-277	18	5000K	178
74541	ELLF180DW50	None	Arch Yoke	120-277	111	5000K	181
75212	ELLF180DW50E	Adjustable Bracket, Photocontrol Receptacle, 20KV Surge Suppressor	Arch Yoke	120-277	111	5000K	181
107165	ELLF1804W50	None	Arch Yoke	347-480	111	5000K	180
107680	ELLF1804W50H	None	High Bay/Pole Tennon	347-480	111	5000K	180
75231	ELLF360DC50	None	Arch Yoke	120-277	CUSTOM	5000K	362
75227	ELLF360DM50	None	Arch Yoke	120-277	58	5000K	356
75229	ELLF360DM50H	None	High Bay/Pole Tennon	120-277	58	5000K	356
75230	ELLF360DM50HE	Adjustable Bracket, Photocontrol Receptacle, 20KV Surge Suppressor	High Bay/Pole Tennon	120-277	58	5000K	356
75223	ELLF360DN50	None	Arch Yoke	120-277	18	5000K	356
75219	ELLF360DW50	None	Arch Yoke	120-277	111	5000K	362
107171	ELLF3604W50	None	Arch Yoke	347-480	111	5000K	360
107686	ELLF3604W50H	None	High Bay/Pole Tennon	347-480	111	5000K	360
75247	ELLF540DC50	None	Arch Yoke	120-277	CUSTOM	5000K	543
75243	ELLF540DM50	None	Arch Yoke	120-277	58	5000K	534
75244	ELLF540DM50E	Adjustable Bracket, Photocontrol Receptacle, 20KV Surge Suppressor	Arch Yoke	120-277	58	5000K	534
75236	ELLF540DW50E	Adjustable Bracket, Photocontrol Receptacle, 20KV Surge Suppressor	Arch Yoke	120-277	111	5000K	543
75237	ELLF540DW50H	None	High Bay/Pole Tennon	120-277	111	4100K	543
75238	ELLF540DW50HE	Adjustable Bracket, Photocontrol Receptacle, 20KV Surge Suppressor	High Bay/Pole Tennon	120-277	111	5700K	543
107177	ELLF5404W50	None	Arch Yoke	347-480	111	5000K	540
107692	ELLF5404W50H	None	High Bay/Pole Tennon	347-480	111	5000K	540
95152	ELLF135DW50	None	Arch Yoke	120-277	111	5700K	543

CONSTRUCTION:

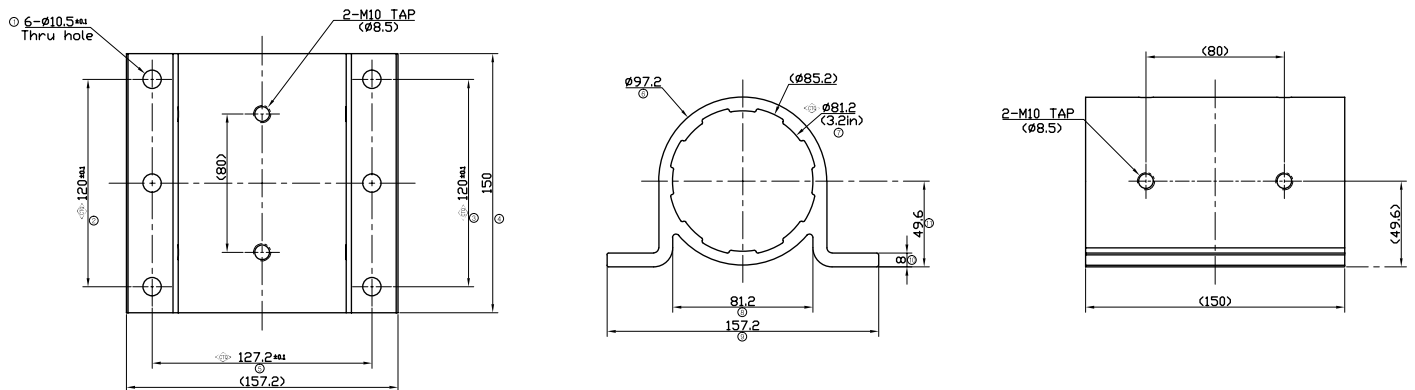
Die cast aluminum body with heat sinking across the full module, enabling a long fixture life

- Stainless steel bushing and adjustment plates
- Tempered glass lens
- Polished and plated optical reflectors
- 6'-18/3 shielded power feed cord included standard
- Yoke mount includes 270 deg. pivot base plate and integrated arm with side protractor for field aiming
- Aluminum Ø3.2" Pole Tenon Slipfitter Mount [Requires a 5.5-6" Tenon]

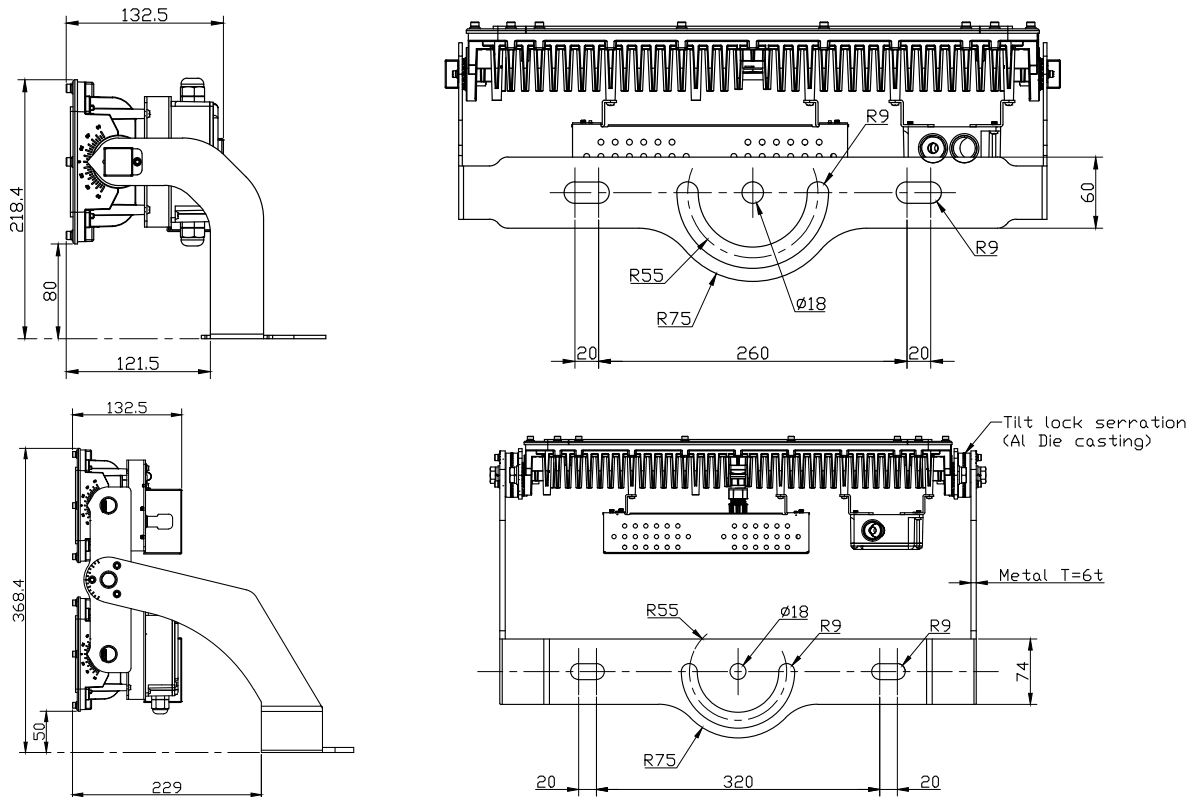
DIMENSIONS

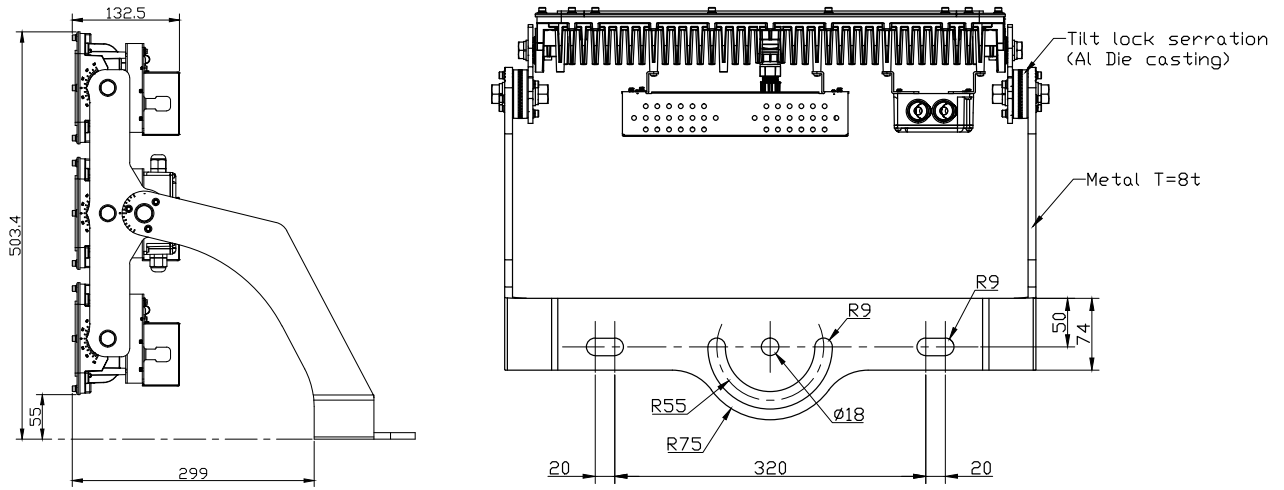
ALL MEASUREMENTS ARE IN MILLIMETER

PTMB DETAILS



AYMB DETAILS





HBMB DETAILS

