

Project:	
Type:	
Catalog #:	

**MRI
IN USE**
CUSTOM SIG AG AVAILABLE



STANDARD

OPTIONAL



ILLUMINATION

- Ultra bright, energy efficient, long life Red or Green LEDs.
- UV-stabilized ultra-clear acrylic edgelit panel provides consistent, uniform illumination.
- Double face utilizes factory installed silver or white mylar background panel.

ELECTRICAL

- Dual 120/277 voltage standard.
- Charge rate/power "ON" LED indicator light and push-to-test switch for mandated code compliance testing.
- 4.8V long life, maintenance-free, rechargeable NiCd battery (EM models only).
- Internal solid-state transfer switch automatically connects the internal battery to LED board for minimum 90-minute emergency illumination.
- Fully automatic solid-state, two rate charger initiates battery charging to recharge a discharged battery in 24 hours.

MOUNTING

- Aluminum mounting canopy included for top, end or back mount.

HOUSING

- Premium-grade, extruded aluminum housing (also available in optional black or white powder-coated finishes).
- Self-adhesive Chevron appliques and guide template provided for directional indication.

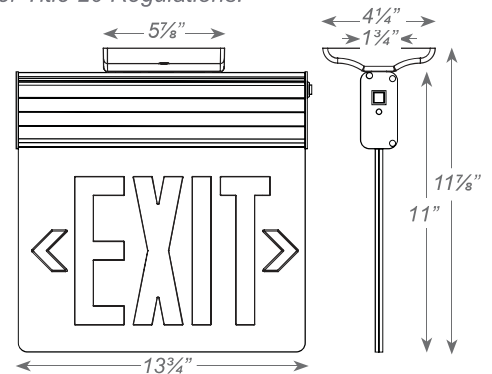
OPTIONS

- 2C-120V/2C-277V: Voltage-specific dual circuit option on the AC-only unit enables it to be connected to two different supplies at the same time.
- SDT: Self-diagnostic feature performs monthly, biannual, and annual tests to ensure reliable operation and meets electrical and life safety codes.
- USA: Substantial transformation assembly in the U.S. complies with "Assembled in the USA" under the Buy American Act.
- SPV: UL Listed for 208/220/240 Volt, 50/60Hz.
- Custom: Signs available with requested 'special' wording.

WARRANTY / LISTING

- Five year warranty on all electronics and housing. Battery prorated for five years.
- Meets UL924, NFPA 101 Life Safety Code, NEC, OSHA, Local and State Codes.
- UL Listed for damp locations (0°C – 50°C).
- Certified to CEC under Title 20 Regulations.

DIMENSIONS



ORDERING INFORMATION

Sample Part Number: **EL**

MODEL	No. of FACES	LETTER COLOR	PANEL	HOUSING COLOR	BATTERY	OPTIONS
EL	1 Single Face	R Red	C Clear ¹	W White	(blank) AC-Only	2C-120 Dual Circuit With 120V Input ²
	2 Double Face	G Green	M Mirror	B Black	EM Battery Backup	2C-277 Dual Circuit With 277V Input ²
			W White	A Aluminum		SDT Self-Diagnostics ³
						USA Assembled In USA
						SPV 208/220/240 Volt, 50/60Hz ⁴
						CUSTOM Custom Wording

¹ With single face only.

² Available only with AC units.

³ Available only with EM units.

⁴ Not available with SDT.

Project:	
Type:	
Catalog #:	

ELECTRICAL INFORMATION

CATALOG NUMBER	INPUT WATTS (W)					INPUT AMPS (A)				
	120V	277V	208V	220V	240V	120V	277V	208V	220V	240V
EL-RED/GREEN/EM SPV	3.6	4.0	3.9	3.93	3.98	0.030	0.020	0.022	0.022	0.020
EL-RED/GREEN/SDT/2C	3.6	4.0	-	-	-	0.030	0.020	-	-	-