

EXITRONIX CHIR Series works with City of Chicago products CHIX-WB-RC and CHIM-RC. The Chicago indoor remote CHIR series round lamp head and base plate is made of durable 20 gauge steel with a white powder coated finish.

FEATURES

- Suitable for City of Chicago
- Compatible with **CHIX** and **CHIM** series
- Lamps include fully adjustable flex arm
- Mounts directly to J-box, suitable for surface ceiling or wall mount installations
- Up to 40' on-center spacing

SPECIFICATIONS

Illumination: 1.5W (Single head) or 3W (Double head) LED lamps produce 200 lumens per lamp head; 5000K CCT, 22° beam angle

Housing: 20 Gauge steel with fully adjustable arm

Electrical Input: 6VDC

Operating Temp: 0°C to 50°C (32°F to 122°F)

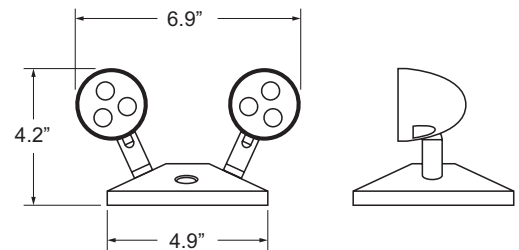
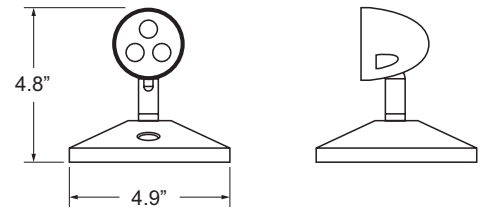
Mounting: Surface ceiling or wall mount

Finishes: White

Certifications: UL 924 Damp Location Listed, meets or exceeds City of Chicago, NEC requirements and NFPA 101

Warranty: Any component that fails due to a manufacturing defect is guaranteed for five years. The warranty does not cover physical damage, abuse or instances of uncontrollable natural forces. See the full Exitronix warranty document for detailed information (Terms and Conditions apply)

Model: _____ Date: _____
 Accessories: _____
 Job Name: _____ Type: _____



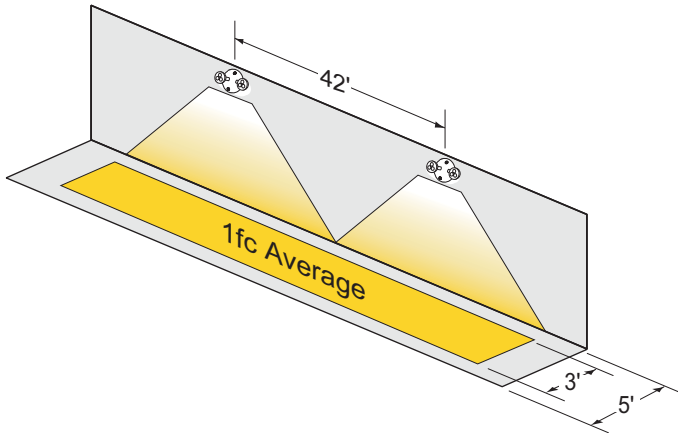
ORDERING INFORMATION Example: CHIR-S-WH

Series ¹	Style	Finish
CHIR = City of Chicago Indoor Remote	S = Single Lamp Head D = Double Lamp Head	WH = White

Notes
¹ Compatible with **CHIX** and **CHIM** series, consult factory for compatibility with other product series

SAMPLE PHOTOMETRICS - 3' PATH OF EGRESS

Using multiple CHIR units mounted at a typical 7.5' height delivers 42' on-center spacing with a 3' wide path of egress using 80/50/20 reflectances.



SAMPLE PHOTOMETRICS - 6' PATH OF EGRESS

Using multiple CHIR units mounted at a typical 7.5' height delivers 40' on-center spacing with a 6' wide path of egress using 80/50/20 reflectances.

