

## LED LOW-PROFILE CANOPY CPL SERIES



### PRODUCT DESCRIPTION:

Quick to install, the LED Low-Profile Canopy is the ideal retrofit solution for 100-250W HID garage and canopy luminaires. Offered in 20, 30, 40, and 52-watt versions, with different reflector options for parking garage and canopy distributions, the CPL can address a variety of application needs.

The series offers 0-10V dimming drivers standard with an optional integral microwave motion sensor to negate interference on light output. Consuming 75 percent less energy than incumbent fixtures, the CPL series provides immediate payback and long-term energy and maintenance cost savings.



### FEATURES:

- Trade Agreements Act (TAA) compliant product available - Contact MaxLite for details
- 20W replaces up to 100 watt metal halide
- 30W replaces up to 150 watt metal halide
- 40W replaces up to 175 watt metal halide
- 52W replaces up to 250 watt metal halide
- Easy one-person installation, light weight with latch allowing both hands for wire connections hanging
- Universal 120-277V operation
- Emergency Battery Backup Option
- Photocontrol and programmable dimming motion sensor options available
- Two Distribution patterns, Canopy & Parking Garage
- 10kV surge protection included standard

### MOUNTING:

- Latch design to hold fixture and allows both hands for wiring
- 18" leads standard for easier pendant mounting
- Standard ¾" NPT for pendant mounting (pendants by others)
- Standard adapter plate included for junction box mounting (junction boxes by others)
- Three side-mounted ½" NPT knockouts
- Cannot be mounted directly to combustible surfaces
- Beauty Plate accessory available to cover up to 14"x14" opening

### ORDER STRUCTURE

| FAMILY                  | WATTAGE (NOMINAL), EQUIVALENCY   | GENERATION      | VOLTAGE                           | DISTRIBUTIONS   | CCT                    | FINISH    | OPTIONS  |
|-------------------------|--|-----------------|-----------------------------------|---|------------------------|-----------|--|
| CPL= Low Profile Canopy | 20= 20W, replaces up to 100W MH<br>30= 30W, replaces up to 150W MH<br>40= 40W, replaces up to 175W MH<br>52= 52W, replaces up to 250W MH | B= Generation B | U= 120-277V<br>H= 347-480V (30W+) | P= Parking Garage Distribution<br>Canopy<br>C= Distribution | 40= 4000K<br>50= 5000K | B= Bronze | Blank= No Option<br>EMO= Battery Backup Rated 0°C (120V or 277V only)<br>EM2= Battery Backup Rated -20°C (120V or 277V only)<br>PC= Photocell (120V-277V only)<br>MS= Motion/ Daylight Sensor (120V-277V only) |

### CONTROLS:

#### Motion/Daylight Sensor with Remote Control Compatibility:

0-10V microwave-based motion sensor with integral photocontrol, allowing for three output states: 100%; 10/20/30/50% output; or 0% output. Detection area, hold time, daylight threshold, and dimming level are configurable via DIP switches. At its maximum mounting height of 32 feet, the sensor can detect motion up to 30 feet away. Sensor mounted internally, behind lens which reduces vandalism and provides a cleaner look.

A compatible remote control is available with the sensor, which allows for easy sensor configuration, reprogramming, and troubleshooting when necessary. Users should review supplementary motion sensor datasheets and the product instruction manual for detailed remote control programming and operation. In the event of loss of power, remote control programmed settings return to DIP switch programmed settings.

#### 120-277VAC Photocontrol:

Universal voltage photocontrols turn fixture on and off based on footcandle levels to help conserve energy during daylight hours. The operating temperature of the photocontrol is -30°F-120°F. Photocell mounted external.

### WARRANTY:

10-year standard warranty with labor allowance\*

(further details available at [www.maxlite.com/warranties](http://www.maxlite.com/warranties))

\*Warranty Limitations: Product must be rated for the application per the Product Data Sheet (PDS); operated ≤16 hrs; in ambient of -29°F to 104°F. \*Up to \$25/unit; labor allowances of up to \$500/unit available for purchase – contact MaxLite representative for details.

**MaxLite Makes It!**


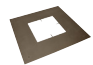
Don't see what you need? Additional wattages and specifications available upon request - contact your MaxLite rep!

**SPECIFICATIONS**

|                            |  | CPL20UB50XXXX                           | CPL30UB50XXXX | CPL40UB50XXXX | CPL52UB50XXXX |
|----------------------------|--|---|---------------|---------------|---------------|
| ITEM                       | SPECIFICATION                          | DETAILS                                 |               |               |               |
| <b>GENERAL PERFORMANCE</b> | Power Consumption (W)                  | 20W                                     | 30W           | 40W           | 52W           |
|                            | Equivalent Wattage                     | up to 100W MH                           | up to 150W MH | up to 175W MH | up to 250W MH |
|                            | Parking Garage - Lumens Delivered      | 2278 lm                                 | 3329 lm       | 4713 lm       | 6347 lm       |
|                            | Canopy Distribution - Lumens Delivered | 2374 lm                                 | 3431 lm       | 4935 lm       | 6539 lm       |
|                            | Efficacy (lm/W)                        | 120-125                                 | 115-118       | 119-124       | 123-127       |
|                            | CRI                                    | ≥70                                     |               |               |               |
|                            | Color Temperature (K)                  | 4000K and 5000K                         |               |               |               |
|                            | L70 Lumen Maintenance (hours)          | ≥100,000 Hrs.                           |               |               |               |
| <b>ELECTRICAL</b>          | Power Factor                           | ≥0.90                                   |               |               |               |
|                            | Input Voltage                          | 120-277V                                |               |               |               |
|                            | Dimming                                | 0-10V. Dimming Range: 10%-100%          |               |               |               |
|                            | Surge Protection                       | 10kV surge protection included standard |               |               |               |
| <b>PHYSICAL</b>            | Housing                                | Die-cast Aluminium                      |               |               |               |
|                            | Lens                                   | Polycarbonate                           |               |               |               |
|                            | Operating Temperature                  | -40°F to 104°F or -40°C to 40°C         |               |               |               |
| <b>CERTIFICATION</b>       | Certification                          | cULus, Supports Title 24 Compliance     |               |               |               |
|                            | Material Usage                         | RoHS compliant; no mercury              |               |               |               |
|                            | Environment                            | Outdoor, wet location                   |               |               |               |
|                            | Warranty                               | 10 Year warranty*                       |               |               |               |
| <b>QUALIFICATION</b>       | DesignLight Consortium                 | DLC 4.2 Premium                         |               |               |               |

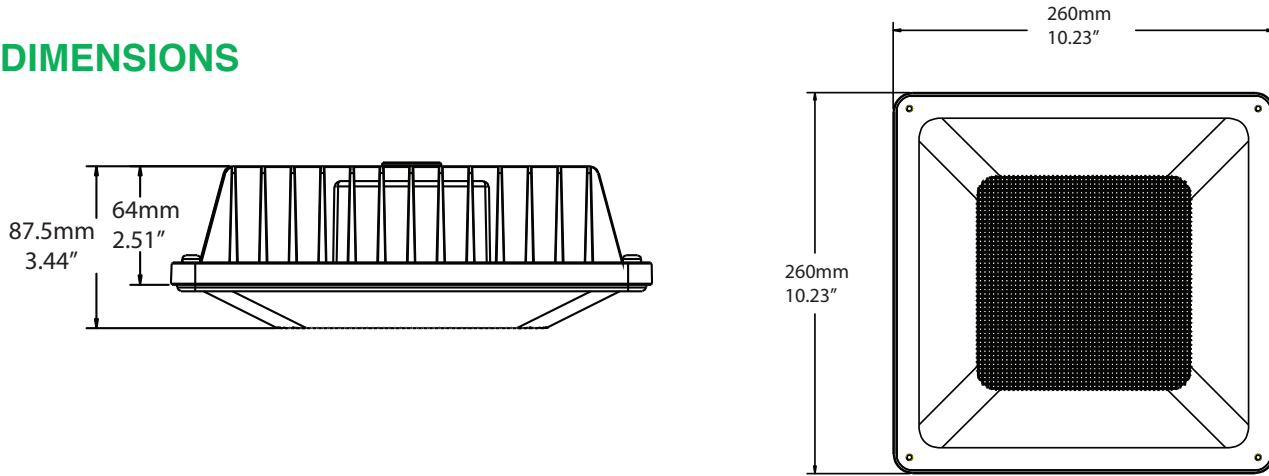
**ORDERING:**

| ORDER CODE | MODEL NUMBER | DLC PRODUCT ID | NOMINAL WATTAGE | EQUIVALENCY | DISTRIBUTION   |
|------------|--------------|----------------|-----------------|-------------|----------------|
| 1408347    | CPL20BUC50B  | P3OZNCNPN      | 20W             | 100W MH     | Canopy         |
| 1408349    | CPL20BUP50B  | PNH1HBCF       | 20W             | 100W MH     | Parking Garage |
| 102005     | CPL30BUC50B  | POC9WZRJ       | 30W             | 150W MH     | Canopy         |
| 102001     | CPL30BUP50B  | PJ6N9J4W       | 30W             | 150W MH     | Parking Garage |
| 102010     | CPL40BUC50B  | PQKC3148       | 40W             | 175W MH     | Canopy         |
| 101024     | CPL40BUP50B  | P0ZD912L       | 40W             | 175W MH     | Parking Garage |
| 102339     | CPL52BUC50B  | P0ZN6Q1A       | 50W             | 250W MH     | Canopy         |
| 102335     | CPL52BUP50B  | PZYTSGJ7       | 50W             | 250W MH     | Parking Garage |

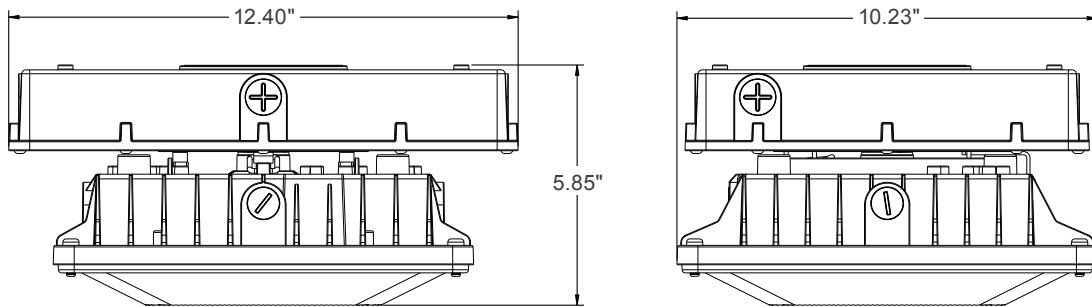
| ACCESSORIES |                 |   |   |
|-------------|-----------------|---|---|
| ORDER CODE  | MODEL NUMBER    | DESCRIPTION   | ACCESSORIES IMAGE   |
| 108133      | RMHYTHRC-05     | REMOTE CTRL PROGRAMMING<br>HC403VRC/HC419VRC                            |  |
| 1409168     | CPL-15SQ-PLATE* | CPL SERIES ALUMINUM BEAUTY PLATE FOR<br>15" x 15" SQUARE HOLES, BRONZE* |  |

\*See page 3 for CPL Cover Plate dimensions

**DIMENSIONS**

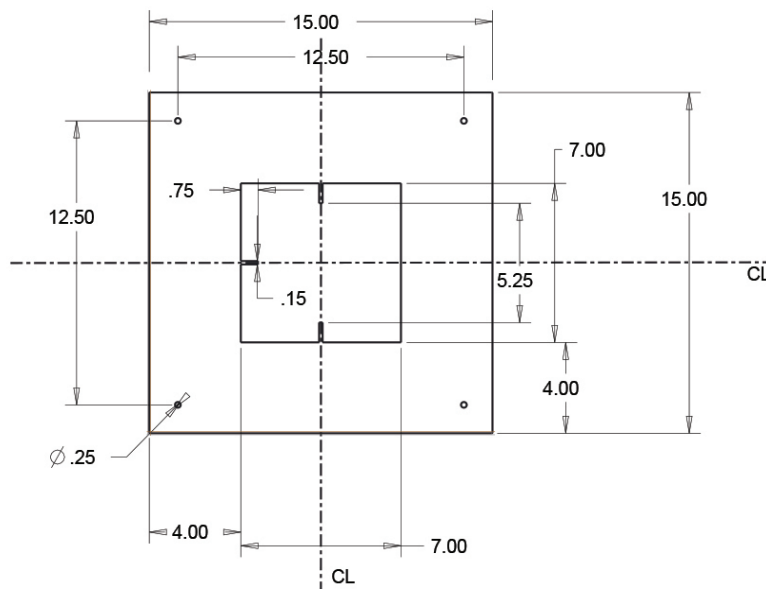


**Non Emergency Battery Backup**



**Emergency Battery Backup Option**

**CPL PLATE DIMENSIONS**



## CPL20 FOOTCANDLE:

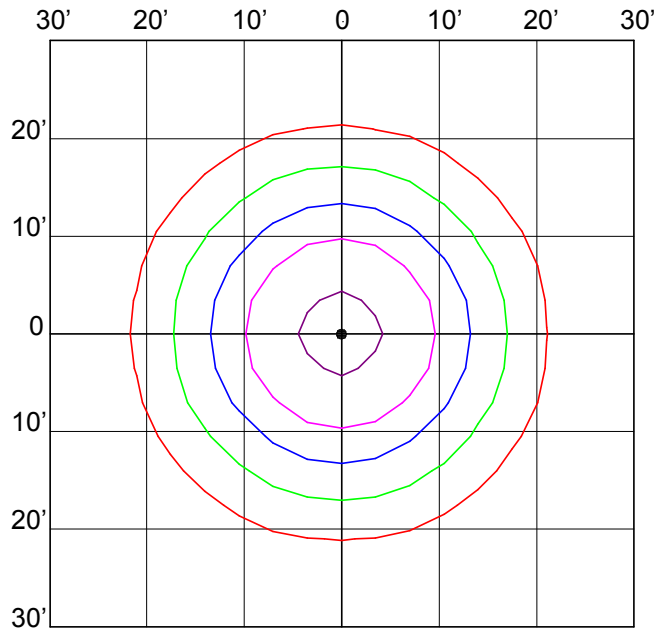
Each gridline represents one mounting height.  
For mounting heights other than noted multiply FC by the below factor.

$$\text{Factor} = \frac{(\text{Chart's Mtg Height})^2}{(\text{Actual Mtg Height})^2}$$

### LEGEND

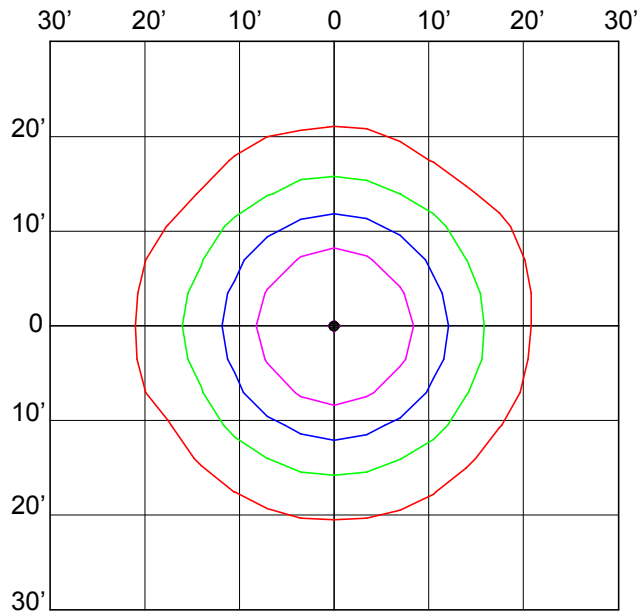
- 0.2 fc
- 0.5 fc
- 1 fc
- 2 fc
- 5 fc

Layouts based on 4000K or 5000K.  
Results are 3-5% less for 3000K.  
Consult IES file for more precise calculations.



**20W, Canopy**  
**2,415 Lumens**  
**10' Mounting Height**  
Foot-candle Correction Factor:

|              |      |     |      |      |
|--------------|------|-----|------|------|
| New Height:  | 8'   | 10' | 15'  | 20'  |
| Multiply by: | 1.56 | 1   | 0.44 | 0.25 |



**20W, Parking**  
**2,200 Lumens**  
**10' Mounting Height**  
Foot-candle Correction Factor:

|              |      |     |      |      |
|--------------|------|-----|------|------|
| New Height:  | 8'   | 10' | 15'  | 20'  |
| Multiply by: | 1.56 | 1   | 0.44 | 0.25 |

## CPL40 FOOTCANDLE:

Each gridline represents one mounting height.

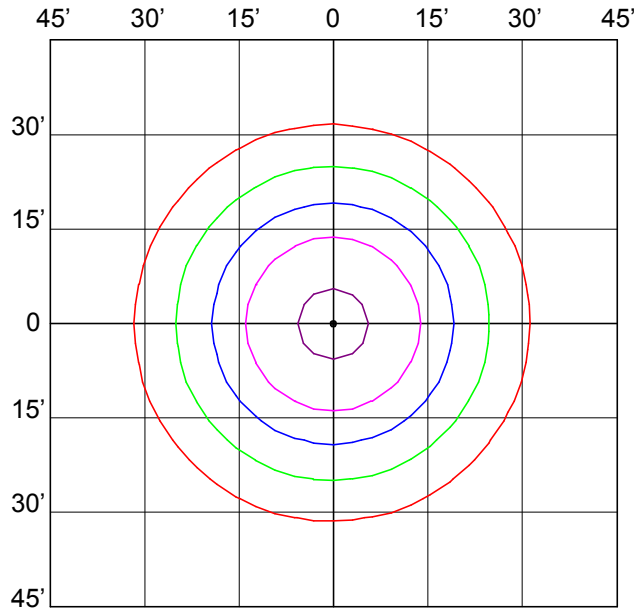
For mounting heights other than noted multiply FC by the below factor.

$$\text{Factor} = \frac{(\text{Chart's Mtg Height})^2}{(\text{Actual Mtg Height})^2}$$

### LEGEND

- 0.2 fc
- 0.5 fc
- 1 fc
- 2 fc
- 5 fc

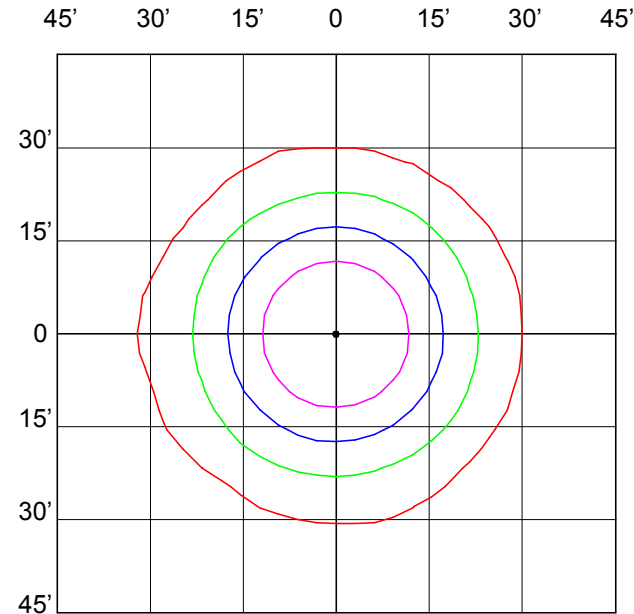
Layouts based on 4000K or 5000K.  
Results are 3-5% less for 3000K.  
Consult IES file for more precise calculations.



**40W, Canopy**  
**5,150 Lumens**  
**15' Mounting Height**

Foot-candle Correction Factor:

|              |      |     |      |      |
|--------------|------|-----|------|------|
| New Height:  | 10'  | 15' | 20'  | 25'  |
| Multiply by: | 2.25 | 1   | 0.56 | 0.36 |



**40W, Parking**  
**4,645 Lumens**  
**15' Mounting Height**

Foot-candle Correction Factor:

|              |      |     |      |      |
|--------------|------|-----|------|------|
| New Height:  | 10'  | 15' | 20'  | 25'  |
| Multiply by: | 2.25 | 1   | 0.56 | 0.36 |

## CPL52 FOOTCANDLE:

Each gridline represents one mounting height.

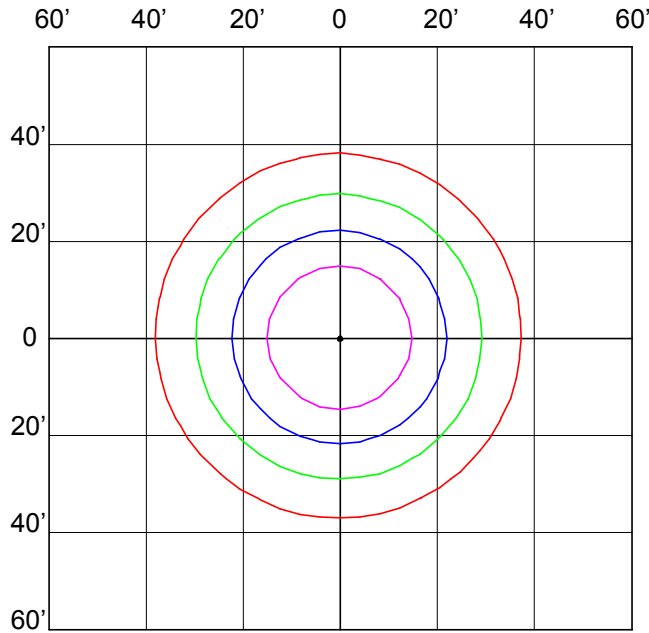
For mounting heights other than noted multiply FC by the below factor.

$$\text{Factor} = \frac{(\text{Chart's Mtg Height})^2}{(\text{Actual Mtg Height})^2}$$

### LEGEND

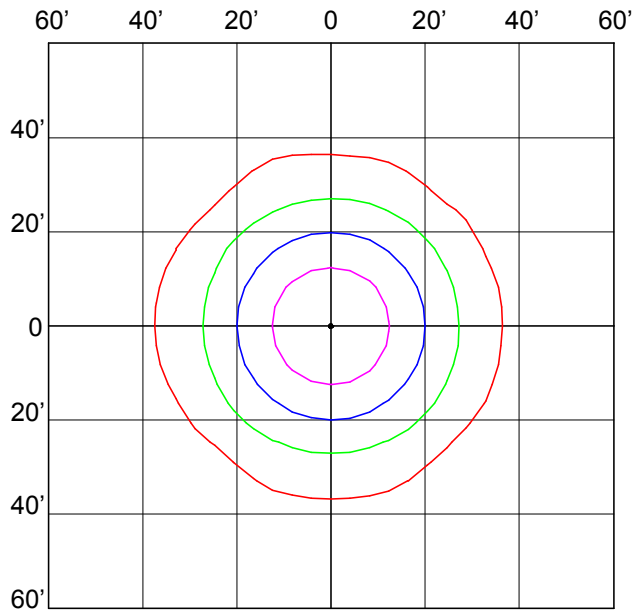
- 0.2 fc
- 0.5 fc
- 1 fc
- 2 fc
- 5 fc

Layouts based on 4000K or 5000K.  
Results are 3-5% less for 3000K.  
Consult IES file for more precise calculations.



**58W, Canopy**  
**6,510 Lumens**  
**20' Mounting Height**  
Foot-candle Correction Factor:

|              |     |      |     |      |
|--------------|-----|------|-----|------|
| New Height:  | 10' | 15'  | 20' | 25'  |
| Multiply by: | 4   | 1.78 | 1   | 0.64 |



**58W, Parking**  
**6,095 Lumens**  
**20' Mounting Height**  
Foot-candle Correction Factor:

|              |     |      |     |      |
|--------------|-----|------|-----|------|
| New Height:  | 10' | 15'  | 20' | 25'  |
| Multiply by: | 4   | 1.78 | 1   | 0.64 |