

LED LOW-PROFILE CANOPY

CPL SERIES



FEATURES:

- 30W replaces up to 150 watt metal halide
- 40W replaces up to 175 watt metal halide
- 58W replaces up to 250 watt metal halide
- Universal 120- 277V operation
- 0-10V Dimming driver standard
- Maintenance free and constructed without any hazardous materials
- Dusk-to-dawn and occupancy sensor compatible
- Greater than 100,000 hour L70 lifetime at TM-21 standards, 25°C
- 5-Year Limited Warranty

CONTROLS:

Motion/Daylight Sensor with Remote Control Compatibility:
0-10V microwave-based motion sensor with integral photocontrol, allowing for three output states: 100%; 10/20/30/50% output; or 0% output. Detection area, hold time, daylight threshold, and dimming level are configurable via DIP switches. At its maximum mounting height of 32 feet, the sensor can detect motion up to 30 feet away. Sensor mounted internally, behind lens.

A compatible remote control is available with the sensor, which allows for easy sensor configuration, reprogramming, and troubleshooting when necessary. Users should review supplementary motion sensor datasheets and the product instruction manual for detailed remote control programming and operation.

MOUNTING:

- Standard 3/4" NPT for pendant mounting (pendants by others)
- Standard adapter plate included for junction box mounting (junction boxes by others)
- Three side-mounted 1/2" NPT knockouts

PHOTOMETRICS:

All .IES files available online. Please see page 3 for Iso-footcandle layouts.

DIMENSIONS: See page 2 for dimensions

PRODUCT DESCRIPTION:

Quick to install and pay for itself, the LED Low-Profile Canopy is the ideal retrofit solution for 150-250W HID garage and canopy luminaires. Offered in 30-, 40-, and 58-watt versions, with different lens options for parking garage and canopy distributions, the CPL can address a variety of canopy needs.

The series offers 0-10V dimming drivers standard with an optional integral microwave motion sensor to negate interference on light output. Consuming 75 percent less energy than incumbent fixtures, the CPL series provides immediate payback and long-term energy and maintenance cost savings.

MODEL SELECTION (Full list of order codes on pg. 2)				Typical order example: CPL40AUP50B400			
CPL		A	U		50		
FAMILY	NOMINAL WATTAGE, EQUIVALENCY	GENERATION	VOLTAGE	DISTRIBUTION	CCT	FINISH	OPTIONS
CPL= Eco-Canopy	30= 30W, replaces up to 150W MH 40= 40W, replaces up to 175W MH 58= 58W, replaces up to 250W MH	A= Generation A	U= 120-277V, std	P= Parking Garage Distribution C= Canopy Distribution	50= 5000K	B= Bronze, std W'= White	(BLANK)= None 400'= Motion/ Daylight Sensor

¹ Made to order items. Please contact your MaxLite representative for lead times and quantities.

ACCESSORIES			
ORDER CODE	MODEL NUMBER	DESCRIPTION	ACCESSORIES IMAGE
108133	RMHYTHRC-05	Remote Control Programming HC403VRC/HC419VRC	

SPECIFICATIONS:

		CPL30AUX50XXXX	CPL40AUX50XXXX	CPL58AUX50XXXX
ITEM	SPECIFICATION	DETAILS		
GENERAL PERFORMANCE	Distribution	Parking Garage, Canopy distributions available		
	Input Power (W)	30	41	53
	Lumens Delivered Parking Distribution (lm)	2,895	4,060	5,450
	Lumens Delivered Canopy Distribution (lm)	2,690	3,845	5,100
	Efficacy (lm/W)	91-97	94-99	97-104
	Color Temperature	5000K		
	CRI	≥75		
	Lumen Maintenance (L70, TM-21 @ 25° C)	≥100,000		
ELECTRICAL	Input Voltage	120-277V		
	Power Factor	≥0.87		
	Operating Temperature	-31°F - 104°F / -35°C - 40°C		
CERTIFICATION	Certifications	DLC Standard*, cULus, FCC, LM79, LM80, TM-21, T24 Compliant		
	Environment	Outdoor, wet location		
	Warranty	5 Years		

*CPL30AUC and CPL40AUC products are pending DLC

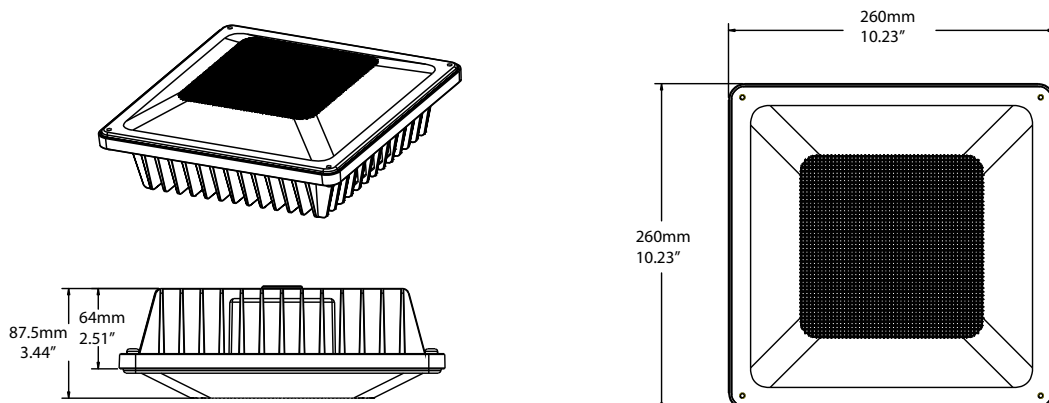
ORDERING*:

ORDER CODE	MODEL	NOMINAL WATTAGE	EQUIVALENCY	DISTRIBUTION	FINISH	INPUT VOLTAGE	COLOR TEMPERATURE (CCT)
102005	CPL30AUC50B	30W	150W MH	Canopy	Bronze	120-277V	5000K
102001	CPL30AUP50B	30W	150W MH	Parking Garage			
102010	CPL40AUC50B	40W	175W MH	Canopy			
101024	CPL40AUP50B	40W	175W MH	Parking Garage			
102335	CPL58AUC50B	58W	250W MH	Canopy			
102339	CPL58AUP50B	58W	250W MH	Parking Garage			

Lighting layouts and spacing criteria available upon request.

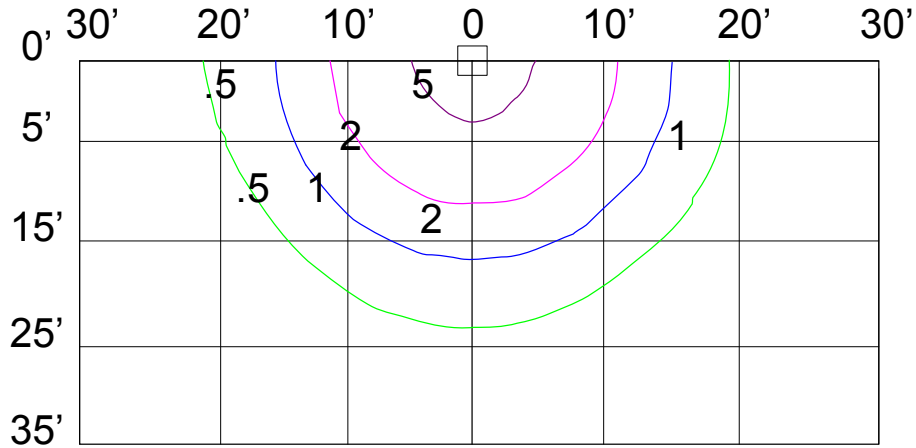
*Please contact your MaxLite representative to order products that don't have order codes listed here.

DIMENSIONS:



PHOTOMETRICS:

CPL30AUP50B000

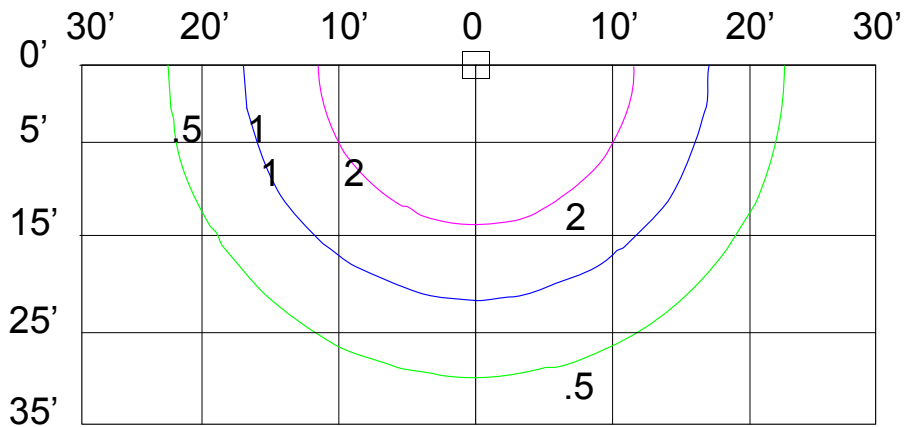


CPL30AUP50B000
2,865 Lumens
10' Mounting Height

Foot-candle Correction Factor:

New Height:	10'	15'	20'	25'
Multiply by:	1	0.45	0.25	0.15

CPL40AUC50B000



CPL40AUC50B000
2,865 Lumens
15' Mounting Height

Foot-candle Correction Factor:

New Height:	10'	15'	20'	25'
Multiply by:	2.25	1	0.56	0.36