

<b>Project:</b>	
<b>Type:</b>	
<b>Catalog #:</b>	

**STANDARD**



**ILLUMINATION**

- Long lasting, energy efficient white LED exit sign illumination.
- Single or double face configuration.
- Two 6V 5.3W adjustable white LED lamp heads.

**ELECTRICAL**

- Dual 120/277 voltage standard.
- Charge rate/power "ON" LED indicator light and push-to-test switch for mandated code compliance testing.
- 6V sealed lead acid, maintenance-free, rechargeable battery.
- LVD (low voltage disconnect) prevents battery from deep discharge.
- Internal solid-state transfer switch automatically connects the internal battery to LED board and LED lamp heads for minimum 120 minute emergency illumination.
- Fully automatic solid-state, two-rate charger initiates battery charging to recharge a discharged battery in 24 hours.
- Remote capacity option available.

**MOUNTING**

- Mounting canopy included for top or end mount.
- Universal K/O pattern on back plate for wall mount.

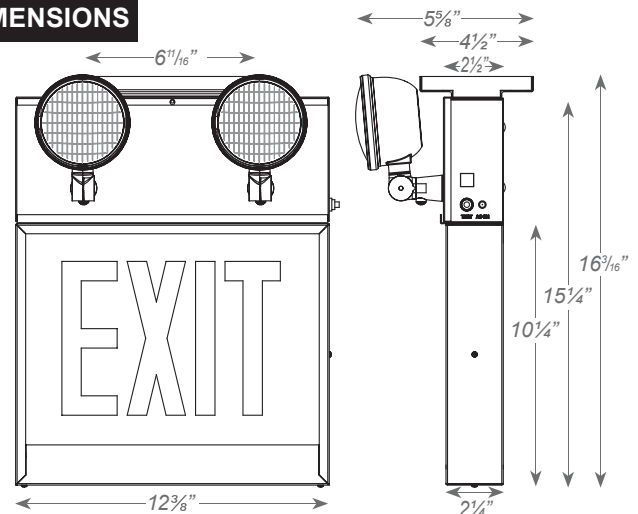
**HOUSING**

- Durable 20-gauge steel construction.
- Neutral white or black finish.

**WARRANTY/LISTING**

- Five year warranty on all electronics and housing. Battery pro-rated for two years.
- Meets UL924, NFPA 101 Life Safety Code, NEC, OSHA, Local and State Codes.
- UL listed for damp locations (20°C – 50°C).

**DIMENSIONS**



**ORDERING INFORMATION**

Sample Part Number: **CHI-LEDC**

MODEL	No. of FACES	LETTER	HOUSING	OPTIONS	DIRECTIONAL ARROW									
					NA	DA	RA <sup>1</sup>	LA <sup>1</sup>	SW-LA <sup>1</sup>	SW-NA	SW-DA	SW-RA <sup>1</sup>	SW-LARA <sup>1</sup>	
CHI-LEDC	1	Single Face	R Red	W White	RC Remote Capacity	Exit No Arrow	Exit Double Arrow	Exit Right Arrow	Exit Left Arrow	Stairs Left Arrow	Stairs No Arrow	Stairs Double Arrow	Stairs Right Arrow	Stairs Left/Right Arrow
	2	Double Face		B Black										

Notes:

1. Available only with single face units.
2. Available only with double face units.

<b>Project:</b>	
<b>Type:</b>	
<b>Catalog #:</b>	

**ELECTRICAL INFORMATION**

CATALOG NUMBER	INPUT WATTS (W)		INPUT AMPS (A)	
	120V	277V	120V	277V
CALEDCXTEU	12	13	0.12A	0.06A
CALEDCXTEU-RC	12	13	0.12A	0.06A