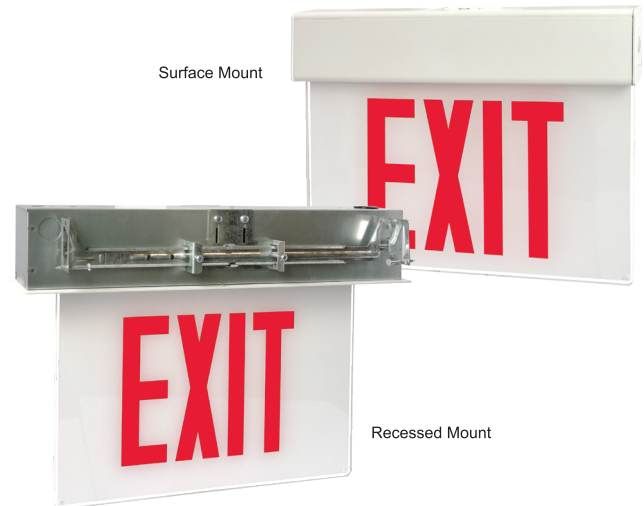


The CH-EL-900E Series LED edge-lit exit is City of Chicago approved and offered in surface or recessed mount configurations. The CH-EL-900E is available as AC-only or self-powered models featuring a Lithium Ion class battery that operates for a minimum of 90 minutes during a power outage. The recessed fixture is constructed with an extruded aluminum trim plate with a 20-gauge steel housing. The surface mount version utilizes an extruded aluminum housing and includes a steel canopy. Both versions are UL 924 compliant and come standard with a single-face, acrylic EXIT panel. A full range of alternative, field-installable, single- or double-face acrylic panels are available as accessories.

Model: _____ Date: _____
 Accessories: _____
 Job Name: _____ Type: _____

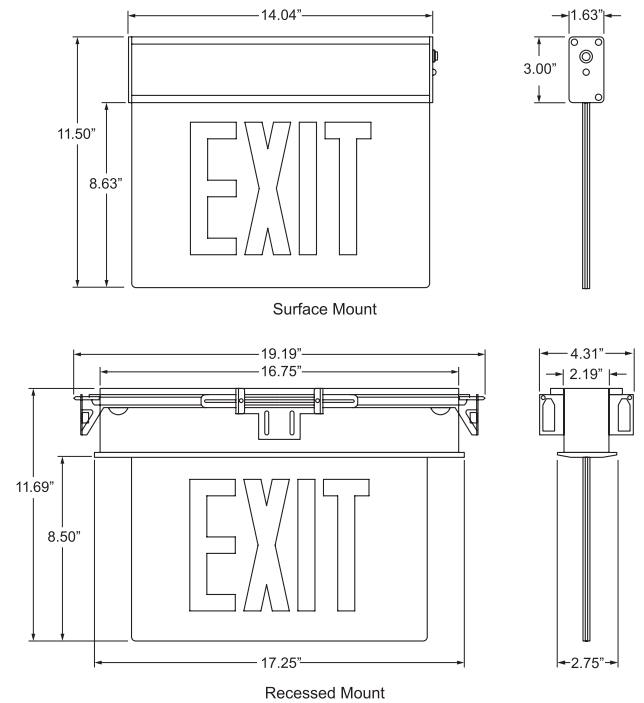


FEATURES AND BENEFITS

- Suitable for City of Chicago Emergency EXIT requirements
- Exit illuminated with high-output, long-life white LEDs
- Universal input voltage from 120VAC to 277VAC, 50/60Hz
- Recessed or surface mount

SPECIFICATIONS

- Illumination:** Long-life, high-intensity, white LEDs
- Construction:** Surface mount: Extruded aluminum housing (steel canopy included)
 Recessed mount: 20 Gauge steel housing with a white powder coated finish on an extruded aluminum trim plate (galvanized steel hanger bar assembly included)
- Input:** Universal input, 120 to 277VAC, 50/60Hz
- Battery:** Maintenance-free LiFePO4 battery
- Run Time:** UL Listed 90 minute emergency run time, 24 hour recharge time
- Electrical:** Low voltage disconnect eliminates deep discharge, brownout protection, overload and short circuit protection
- Legend:** Fully illuminated red 6" characters with 3/4" stroke; ships standard with single-face CH-EL-900E (EXIT with no arrows)
- Mounting:** CH-EL-900E can be ceiling, end or wall mounted (canopy included) as well as pendant (by others) mounted; CH-EL-900E can be recessed mounted into ceiling or wall.
- Finishes:** White
- Certifications:** UL 924 Listed, meets or exceeds City of Chicago, NEC requirements and NFPA 101
- Warranty:** Any component that fails due to a manufacturing defect is guaranteed for five years, with a five year prorated warranty on the battery. The warranty does not cover physical damage, abuse or instances of uncontrollable natural forces. See the full Exitronix warranty document for detailed information. (Terms and conditions apply)



ORDERING INFORMATION Example: CH-EL-900E

Series	Mounting	Power Source	Finish	Single-face Panel Accessories ^{2,3,5}	Double-face Panel Accessories ^{2,4,5}
CH-EL-900E	S = Surface	LB = AC Only	WH = White	CH-EL-900E-PANEL-3 = Exit (Included)	CH-EL-900E-PANEL-18 = Exit
	R = Recessed	WB = With Battery		CH-EL-900E-PANEL-6 = Exit ▶	CH-EL-900E-PANEL-21 = Exit ◀ or ▶
				CH-EL-900E-PANEL-9 = Exit ◀	CH-EL-900E-PANEL-24 = Exit ◀ ▶
				CH-EL-900E-PANEL-12 = Exit ◀ ▶	CH-EL-900E-PANEL-17 = Stairs
				CH-EL-900E-PANEL-2 = Stairs	CH-EL-900E-PANEL-20 = Stairs ◀ or ▶
				CH-EL-900E-PANEL-5 = Stairs ▶	CH-EL-900E-PANEL-23 = Stairs ◀ ▶
				CH-EL-900E-PANEL-8 = Stairs ◀	
				CH-EL-900E-PANEL-11 = Stairs ◀ ▶	
Notes				Mounting Accessories⁵ (Field Installed)	
¹ Come standard with single-face EXIT Panel-3 (no arrows)				S900-PENDANT-ADAPTER = Pendant Adapter	
² All panels supplied with red letters on a white background					
³ One faceplate only					
⁴ Two faceplates					
⁵ Order as separate line item					

CONSTRUCTION

The CH-EL-900E (surface mount version) utilizes an extruded aluminum housing and an included steel canopy. The CH-EL-900E (recessed mount version) utilizes a 20 Gauge steel housing supplied with a galvanized steel adjustable hanger bar assembly. An extruded aluminum trim plate is included on the recessed mount version. Both versions are supplied standard with a white powder coat finish on viewable surfaces.

Panels

Constructed of clear, impact and scratch-resistant, optical-grade acrylic panels with white background and red silk-screened lettering. Stencil letters are 6" high with 3/4" stroke as required by UL 924 standard.

ILLUMINATION

High-intensity white LEDs provide superior brightness with energy consumption of less than 5W. LEDs are a maintenance-free lighting solution with an estimated life of up to 100,000 hours.

ELECTRICAL

Input

Universal input voltage 120 to 277VAC @ 50/60Hz. Overload and short circuit protection included.

LiFePO4 Battery

Maintenance-free, long-life, rechargeable LiFePO4 batteries. Fully automatic, solid-state charger initiates battery charging to recharge a discharged battery within 24 hours. The internal solid-state transfer switch automatically connects the internal battery to power the LED board for a minimum of 90 minutes of illumination during the loss of utility power. An LED indicator light alerts occupant on battery condition (Steady-normal, Blinking-check battery).

Emergency

The CH-EL-900E Series exit will operate for a minimum of 90 minutes during a loss of power with a 24 hour maximum recharge time for the battery.

Brownout Circuit

Brownout circuit monitors the line voltage. As the line voltage sags and can no longer illuminate the exit sign to meet UL 924 visibility test, the emergency circuit will turn on to supply a portion or all the power to illuminate the sign for 90 minutes until the line voltage is restored.

Low Voltage Disconnect

Low Voltage Disconnect (LVD) measures the battery terminal voltage. The LVD continuously monitors the battery terminal voltage and if it should fall below a preset voltage threshold, the LVD will disconnect the load. When the battery is recharging and voltage is raised above another preset voltage threshold, the load is automatically reconnected.

Test Button

The test button is easy to locate and provides manual verification of the

transfer circuit and emergenc. lamps.

INSTALLATION

Installs in minutes with easy-to-read instructions and detailed diagrams. A steel canopy is provided for wall, ceiling or end mounting for surface mount versions. The surface mount version also includes knockouts on top for pendant mounting. The recessed version can be ceiling or wall mounted.

No special hardware or tools necessary. Internally housed components and battery.

CONFORMANCE TO CODES & STANDARDS

The CH-EL-900E Series is UL 924 Listed and meets or exceeds the following: City of Chicago Fire Code, NEC requirements and NFPA 101.

PENDANT ADAPTER

