

Project:	
Type:	
Catalog #:	

STANDARD



CH-CADXR 50 WATT

CH-CADXR 100 WATT

ILLUMINATION

- Two, 6V/12V 12.0 watt adjustable bi-pin halogen lamp heads provide optimal center-to-center spacing.
- Long lasting, efficient, wedge base incandescent or bi-pin halogen lamps.
- High performance chrome-plated metallized reflector and glass lens for optimal light distribution.

ELECTRICAL

- Dual 120V/277 voltage.
- Charge rate/power "ON" LED indicator light and push-to-test switch for mandated code compliance testing.
- LVD (low voltage disconnect) prevents battery from deep discharge.
- 6V Sealed lead acid, maintenance-free, rechargeable battery.
- Internal solid-state transfer switch automatically connects the internal battery to lamp heads for minimum 120-minute emergency illumination.
- Fully automatic solid-state, two rate charger initiates battery charging to recharge a discharged battery in 24 hours.
- Remote capacity of 26W and 76W available on 50W and 100W models respectively.

MOUNTING

- Knockouts on the back for wall mount.
- Side and top knockouts for conduit feed applications.

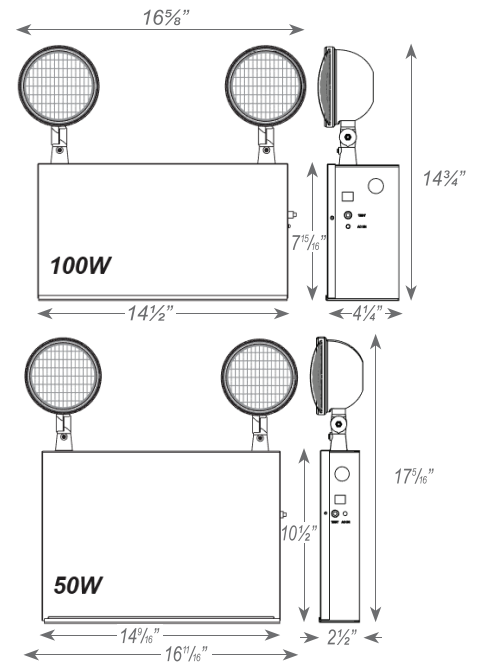
HOUSING

- Durable 20-gauge steel construction.
- Neutral white or black finish.

WARRANTY / LISTING

- Five year warranty on all electronics and housing. Battery prorated for two years.
- UL Listed for damp locations (20°C – 50°C standard).
- Meets UL924, NFPA 101 Life Safety Code, NEC, OSHA, Local and State Codes.
- Meets city of Chicago requirements.

DIMENSIONS



ORDERING INFORMATION

Sample Part Number: **CH-CADXR**

MODEL	VOLTAGE		WATTS		HOUSING COLOR	
	6	12	5	10	(blank)	B
CH-CADXR	6V		50		White	
	12V		50		Black	

Project:	
Type:	
Catalog #:	

ELECTRICAL INFORMATION

CATALOG NUMBER	INPUT WATTS (W)		INPUT AMPS (A)	
	120V	277V	120V	277V
CH-CADXR65	18.0	18.0	0.17	0.07
CH-CADXR125	26.0	26.0	0.25	0.10
CH-CADXR610	23.0	23.0	0.21	0.10
CH-CADXR1210	32.0	32.0	0.30	0.13

REMOTE LAMP COMPATIBILITY

MODEL NUMBER	BATTERY	REMOTE CAPACITY	COMPATIBLE REMOTE HEAD FAMILY				
			RHLED	RH16LED	SRH		SRHLED
					6V	12V	
CH-CADXR-65	6V	26W	X	X	X		X
CH-CADXR-610	6V	76W	X	X	X		X
CH-CADXR-125	12V	26W	X	X		X	
CH-CADXR-1210	12V	76W	X	X		X	

NOTE:
Voltages of the remote lamp head must match the voltage of the individual unit. Reference individual remote lamp head specification sheets for voltage compatibility.