

Project:	
Type:	
Catalog #:	



STANDARD

OPTIONAL



ILLUMINATION

- Ultra bright, energy efficient, long life Red or Green LED.
- High performance premium grade, ultra bright white LED lamps.
- 3W (1 LED x 3 watts) per head.

ELECTRICAL

- Dual 120/277 voltage.
- Charge rate/power "ON" LED indicator light and push-to-test switch for mandated code compliance testing.
- 8.4V long life, maintenance-free, rechargeable NiCd battery.
- Internal solid-state transfer switch automatically connects the internal battery to LED board and LED lamp heads for minimum 90-minute emergency illumination.
- Fully automatic solid-state, two rate charger initiates battery charging to recharge a discharged battery in 24 hours.
- Remote capacity available as an option.

MOUNTING

- Aluminum mounting canopy included for top or end mount.
- Universal K/O pattern on back plate for wall mount.

HOUSING

- First premium grade die-cast combo in the market. Unique new design provides spec grade EXIT sign with LED lamp heads in one low profile housing.
- Premium-grade, aluminum housing (also available in black or white powder-coated finishes).
- Field selectable knockout chevron directional indicators.
- Quick-snap face plate closure.
- Unique design allows double face conversion in the field.

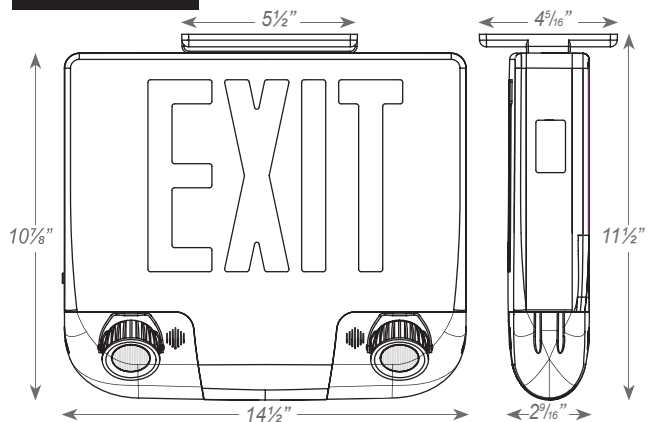
OPTIONS

- RC: Remote capacity of up to 3 watts.

WARRANTY / LISTING

- Five year warranty on all electronics and housing. Battery prorated for five years.
- Meets UL924, NFPA 101 Life Safety Code, NEC, OSHA, Local and State Codes.
- UL Listed for damp locations (0°C – 50°C).
- Certified to CEC under Title 20 Regulations.

DIMENSIONS



ORDERING INFORMATION

Sample Part Number: **CA-400C**

MODEL	No. of FACES	LETTER COLOR	HOUSING COLOR	FACE PANEL	BATTERY	OPTIONS
CA-400C	1	Single Face	R Red	W White	W White	EM Battery Backup RC Remote Capacity
	2	Double Face	G Green	B Black	B Black	
	3	Universal Single/Double Face		A Aluminum	A Aluminum	

Project:	
Type:	
Catalog #:	

ELECTRICAL INFORMATION

CATALOG NUMBER	INPUT WATTS (W)		INPUT AMPS (A)	
	120V	277V	120V	277V
CA-400C-RED/GREEN	4.6	4.8	0.053	0.024

CENTER-TO-CENTER SPACING GUIDELINES

For reference only.



1	0.07	0.10	0.15	0.25	0.52	0.96	1.13	2.13	1.75	1.22	0.82	0.53	0.54	0.72	0.83	0.78	0.66	0.54	0.44	0.27	0.20	0.10	0.06	0.03	
2	0.08	0.11	0.16	0.28	0.49	1.03	1.92	3.03	2.70	1.89	1.20	1.00	1.05	1.30	1.59	1.60	1.57	1.29	0.91	0.53	0.27	0.14	0.07	0.04	
3	0.07	0.10	0.16	0.26	0.45	0.84	1.77	3.27	4.03	2.85	1.64	1.43	1.77	2.50	3.24	3.10	2.50	1.70	0.96	0.52	0.26	0.13	0.07	0.04	
4	0.07	0.10	0.16	0.24	0.40	0.70	1.45	2.58	3.60	3.00	1.98	1.86	2.58	3.90	4.62	3.72	2.34	1.29	0.67	0.39	0.20	0.12	0.06	0.04	
5	0.06	0.10	0.14	0.21	0.34	0.53	0.95	1.68	2.31	2.53	2.22	2.14	2.58	3.08	3.22	2.22	1.43	0.95	0.49	0.25	0.14	0.09	0.06	0.03	
6	0.05	0.07	0.11	0.17	0.24	0.36	0.60	0.96	1.41	1.89	1.96	1.81	1.68	1.56	1.35	1.11	0.76	0.47	0.29	0.18	0.12	0.08	0.05	0.03	
	12	11	10	9	8	7	6	5	4	3	2	1	0	1	2	3	4	5	6	7	8	9	10	11	12

Meets NFPA 101 Requirements for: 21' center-to-center spacing - 4' path of egress 0' from wall - 7 1/2' mounting height.

REMOTE LAMP COMPATIBILITY

MODEL NUMBER	BATTERY	REMOTE CAPACITY	COMPATIBLE REMOTE HEAD FAMILY																						
			RHLED			RH16LED	RH16		RH		RHR		SRH		SRHLED										
			3.6V	9.6V	MV		6V	12V	6V	12V	6V	12V	6V	12V											
CA-400C-RC	3.6V	3W	X		X																				