

LED BULLET FLOODS

BF GEN B SERIES



12W



30W



FEATURES:

- 12W/30W replace up to 50 Watt Quartz Halogen/150 Watt Metal Halide
- Available in 2 distributions: Wide and Narrow
- Leading efficiency ranging from 108-121 lm/W
- 3000K, 4000K and 5000K available
- ≥100,000 hour L70 Life @ 25°C
- Universal 120-277V driver
- Fixture can be surface mounted directly to electrical boxes or posts with 1/2" threaded bushing

CONSTRUCTION:

- Die cast aluminum body
- Bronze corrosion resistant polyester powder coat finish
- Sealed to keep out dirt and bugs (IP65)
- Shatter proof, UV stabilized polycarbonate lens
- Weep hole located on lower lip of fixture to prevent water build up
- Weep holes on lip of fixture to prevent water build up

WARRANTY:

10-year standard warranty with labor allowance*
(further details available at www.maxlite.com/warranties)

*Warranty Limitations: Product must be rated for the application per the Product Data Sheet (PDS); operated ≤16 hrs/day; in ambient of -29°F to 104°F.

*Up to \$25/unit; labor allowances of up to \$500/unit available for purchase – contact MaxLite representative for details.

PRODUCT DESCRIPTION:

Ideal for landscape, façade and sign lighting applications, the LED Bullet Flood Light features a swivel arm for precise angle adjustment. Sealed to keep out dirt, bugs and moisture, the Bullet Floods is constructed with a precision die-cast aluminum housing and shatter proof UV stabilized polycarbonate lens for a sleek appearance and maximum durability. The floods can be surface mounted directly to electrical boxes or posts with a 1/2" threaded bushing.

MODEL SELECTION (Full list of order codes on pg. 2)		Typical order example: BF12BUW-50B				
BF		B	U			B
FAMILY	NOMINAL POWER, EQUIVALENCY	GENERATION	VOLTAGE	DISTRIBUTION	CCT	FINISH
BF= Bullet Flood	12= 11.4W, replaces up to 50W Quartz Halogen 30= 28W, replaces up to 150W Metal Halide	B= Generation B	U= 120-277V	W= Wide Narrow lens available as field installable accessory	30= 3000K 50= 5000K	B= Bronze Contact MaxLite for additional finishes

Narrow lens available, order accessory separately and field install

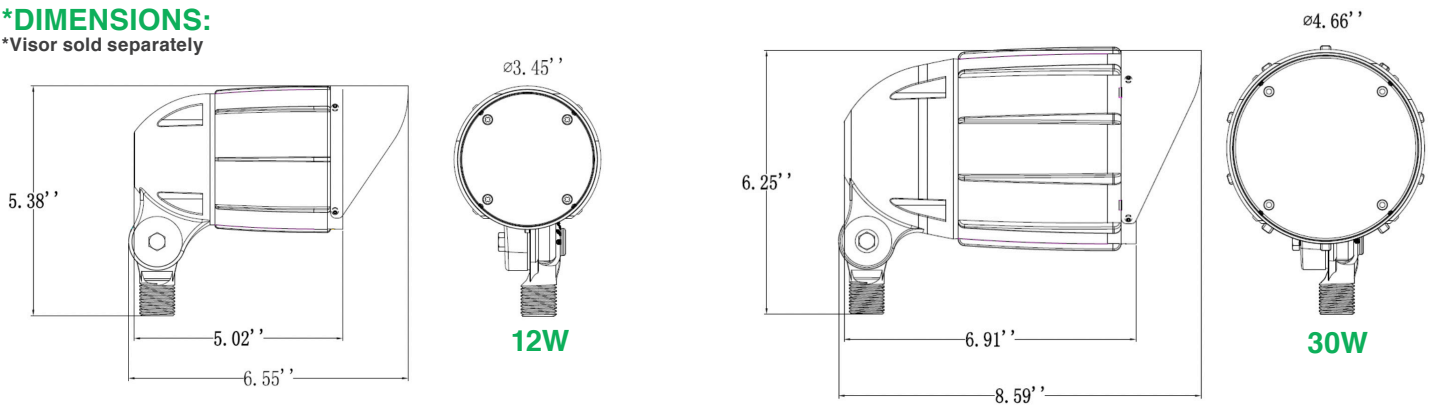
ACCESSORIES				ACCESSORIES			
ORDER CODE	MODEL NUMBER	DESCRIPTION	ACCESSORIES IMAGE	ORDER CODE	MODEL NUMBER	DESCRIPTION	ACCESSORIES IMAGE
101679	TR2.37BZ	Tennon Reducer, 2-3/8" OD to 1/2" thread, Bronze (Slipfitter applications)		104352	GROUND-STAKE	21" Black PVC Ground Stake with bronze die cast cap, ground stabilizers bars and hardware to mount junction box, which allows adding an external photocell	
104088	BF12B-VISOR	Visor for 12W Bullet Flood					
104090	BF30B-VISOR	Visor for 30W Bullet Flood		104350	JBOXB-4TH	Junction Box With 4 1/2" Conduit Holes Top Cover. Provides mounting for flat surfaces and adding external PC (PC-120277EXT)	
104089	BF12B-NLENS	Narrow lens for BF12B, order wide fixture and field install					
104091	BF30B-NLENS	Narrow lens for BF30B, order wide fixture and field install		101417	PC-120277EXT	External Photocontrol 120-277V, Black Finish	
105551	MTGCOVER	Die Cast Aluminum mounting cover with 3x 1/2" threaded conduit holes, bronze with dark finish hardware					

SPECIFICATIONS:

		BF12BUWXXX	BF30BUWXXX
GENERAL PERFORMANCE	NEMA H x V Distribution	6 x 6 (Wide) Narrow 3x3 lens accessory available to field install	
	Beam Angle	60° (Wide), 19° (Narrow)	57° (Wide), 19° (Narrow)
	Input Power (W)	11.4	27.8
	Lumens Delivered 3000K-5000K (lm)	1,400-1,428	3,622-3,694
	Efficacy (lm/W)	122-125	130-133
	Color Temperature	3000K, 5000K	
	CRI	≥72	
	Lumen Maintenance (L70, TM-21 @ 25°C)	≥100,000	
ELECTRICAL	Input Voltage	120-277V standard	
	Power Factor	> 0.9	
	THD	<10%	
PHYSICAL	Housing	Aluminum with corrosion resistant polyester powder coat finish	
	Lens	UV stabilized Polycarbonate	
	Finish	Bronze standard	
	Operating Temperature	-4°F to 104°F	
QUALIFICATION	Qualification	cULus, Title 24 Compliant, FCC, DLC Premium	
	Environment	Outdoor, Wet location, IP65	
	Warranty	10-year standard warranty*	

***DIMENSIONS:**

*Visor sold separately



ORDERING*:

ORDER CODE	MODEL	DLC #	NOMINAL WATTAGE	INPUT VOLTAGE	COLOR TEMPERATURE (CCT)
104080	BF12BUW30B	PL9LP828CBWV	12W	120-277V	3000K
104084	BF12BUW50B	PL6SJM4T5Q0L			5000K
104085	BF30BUW30B	PLXQMPGL4GDW	30W		3000K
104087	BF30BUW50B	PLJPK838KMQG			5000K

Lighting layouts and spacing criteria available upon request

*Please contact your MaxLite representative to order products that don't have order codes listed here.