

LED SLIM AREA LIGHTS

AR SERIES

Fixture shown with Slipfitter Knuckle



60/75W Model

Fixture shown with Adjustable Wall Mount and Motion Sensor



100/145W Model

Fixture shown with Straight Arm



200/310W Model

Fixture shown with Flexible Tilt Arm and Motion Sensor



PRODUCT DESCRIPTION:

The LED Slim Area Lights deliver class-leading efficacy in a lightweight design that can be effortlessly applied to new and retrofit outdoor projects. Offered in lumen packages ranging from 7,700lm to over 40,000+lm, the AR Series achieves up to 158 lumens per watt while providing significant long-term energy and maintenance cost savings.

FEATURES:

- CCT selectable between 3000K/4000K/5000K
- Replaces up to 1,000W MH equivalent
- Universal 120-277V dimming driver standard, 277-480V available
- Controls Ready - simple plug and play Sensor Receptacle enables installation of c-Max, photocell, motion sensor/PC and future network controls without changing the fixture
- Meets ANSI 3G vibration standard for bridges and overpasses
- Comes with 41" 18/3 SO cord
- Trade Agreements Act (TAA) compliant product available - Contact MaxLite for details

MOUNTING:

- 7.5" Straight Arm¹, includes labor saving slot pattern which eliminates need to drill holes on most retrofits
- Trunnion Swivel
- 2-3/8" - 3" OD Slipfitter Knuckle
- Flexible Tilt Arm¹, includes labor saving slot pattern which eliminates need to drill holes on most retrofits
- Adjustable Wall Mount

WARRANTY:

10-year standard warranty with labor allowance* (further details available at www.maxlite.com/warranties)

*Warranty Limitations: Product must be rated for the application per the Product Data Sheet (PDS); operated ≤16 hrs/day; in ambient of -29°F to 104°F. *Up to \$25/unit; labor allowances of up to \$500/unit available for purchase – contact MaxLite representative for details.



Mounting Arms include labor saving slot pattern



| MODEL SELECTION | | Typical order example: AR60UT5-50BK | | | | | | |
|-----------------|--------------------------------------------------------------------------------------------------------------------------------------------------------------------------------------------------------------------------------------------------------------------|------------------------------------------|----------------------------------------------------------------|---|------------------------------------|------------------------------------------------------------------------|-------------------------------------------------------------------------------------------------------------------------------------------------------------------------------------------------------|--------------------------------------------------------------------------------------------------------------------------------------------------------------------------------------------------------------------------------------------------|
| AR | | | | | | | | |
| FAMILY | NOMINAL WATTAGE | VOLTAGE | DISTRIBUTION | | CCT | FINISH | MOUNTING | OPTIONS |
| AR= Area Light | 60= 60W, 250W MH/HPS equivalent 75= 75W, 300W MH/HPS equivalent 100= 100W, 400W MH/HPS equivalent 145= 145W, 400W MH/HPS equivalent 200= 200W, 750W MH/HPS equivalent 310= 310W, 1,000W MH/HPS equivalent | U= 120-277V H= 277-480V | T3= Type III T4= Type IV T5= Type V | - | CS= CCT Selectable (3/4/5K) | B= Bronze <i>Contact MaxLite for additional finishes</i> | A= Straight Arm ¹ K= 2-3/8" -3" OD Slipfitter Knuckle T= Trunnion Swivel F= Flexible (Adjustable) Arm ¹ W= Adjustable Wall Mount | CR= Controls Ready (Order field installable c-Max control node separately) RPC= NEMA 3-pin receptacle (NEMA twist lock Photocell sold separately) PR7= NEMA 7-Pin receptacle (control module sold separately) |

NOTE:




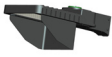



¹ Arm Mounts fit square poles, for round poles add a round pole adapter - see Accessories table.

DLC PREMIUM LISTINGS

| MODEL # | DLC ID # |
|----------|----------|
| AR60, T3 | PC7U5Q3R |
| AR60, T4 | PM79R3OT |
| AR60, T5 | P3LDQEBP |
| AR75, T3 | PN6EBZ0Q |
| AR75, T4 | PFU2GBWZ |
| AR75, T5 | PV1RC991 |

| MODEL # | DLC ID # |
|-----------|----------|
| AR100, T3 | PMR1F0BT |
| AR100, T4 | PUCKC89T |
| AR100, T5 | P4W71WQ2 |
| AR145, T3 | PG46WKYG |
| AR145, T4 | PJ32ZMFD |
| AR145, T5 | PDCHQFHI |

| MODEL # | DLC ID # |
|-----------|----------|
| AR200, T3 | P72VJ33N |
| AR200, T4 | PIRHLN0X |
| AR200, T5 | P9H4BZS6 |
| AR310, T3 | POWODT95 |
| AR310, T4 | PXBCH4XH |
| AR310, T5 | PYRAGHCJ |

| ACCESSORIES | | | |
|----------------|------------|--------------------------------------------------------------------------------------------------------|---------------------------------------------------------------------------------------|
| MODEL # | ORDER CODE | DESCRIPTION | IMAGE |
| RPA3-B | 106239 | 3" ROUND POLE ADAPTER, SLOTTED DRILL PATTERN, BRONZE | |
| RPA4-B | 106240 | 4" ROUND POLE ADAPTER, SLOTTED DRILL PATTERN, BRONZE | |
| RPA5-B | 106241 | 5" ROUND POLE ADAPTER, SLOTTED DRILL PATTERN, BRONZE | |
| CN-RDPCB† | 105569 | C-MAX PHOTOCELL NODE ROUND, BRONZE, IP66, USED WITH CONTROLS READY FIXTURES |  |
| CN-RDMSB†* | 105566 | C-MAX CONTROL NODE ROUND, PIR MOTION SENSOR/PHOTOCELL, BRONZE, IP66, USED WITH CONTROLS READY FIXTURES |  |
| CN-REMOTE | 105567 | C-MAX REMOTE CONTROL, AT LEAST 1 PER PROJECT TO PROGRAM MOTION SENSOR (CN-RDMSB) |  |
| AR-S-HS-GEN2-B | 103658 | HOUSE SIDE SHIELD FOR AR GEN 2 SERIES, BRONZE FINISH, FITS 60W/75W/100W/145W |  |
| AR-MAL-L-HS-B | 1408946 | HOUSE SIDE SHIELD, BRONZE FINISH, FITS 200/310W |  |
| PCTL-UNV | 105038 | TWIST-LOCK ELECTRONIC PHOTOCONTROL 120/208/240/277V (USED WITH RPC OPTION, NOT C-MAX) |  |
| PCTL-HV | 105866 | TWIST-LOCK ELECTRONIC PHOTOCONTROL 480V (USED WITH RPC OPTION, NOT C-MAX) |  |
| MLRTLPCRSP | 96268 | SHORTING CAP FOR NEMA TWIST LOCK PHOTOCELL RECEPTACLE (3, 5 OR 7 PIN) |  |

† Requires 1.5M Allen wrench

* Requires at least 1 remote control (CN-REMOTE) per project to program

| SPECIFICATIONS | | AR60 | AR75 | AR100 | AR145 | AR200 | AR310 |
|-----------------------|----|----------------------------------------------------------------------------------------|---------------|---------------|---------------|---------------|---------------|
| SPECIFICATION | | DETAILS | | | | | |
| Nominal Wattage (W) | | 60 | 75 | 100 | 145 | 200 | 310 |
| CCT | | Selectable between 3000K, 4000K or 5000K | | | | | |
| CRI | | ≥70 | | | | | |
| Lumens Type III | | 8,050-8,800 | 9,950-10,900 | 13,500-14,780 | 19,170-20,950 | 27,600-30,190 | 40,350-44,100 |
| BUG Rating | 3K | B1-U0-G2 | B2-U0-G2 | B2-U0-G2 | B3-U0-G3 | B3-U0-G3 | B3-U0-G4 |
| | 4K | B2-U0-G2 | B2-U0-G2 | B2-U0-G3 | B3-U0-G3 | B3-U0-G4 | B4-U0-G4 |
| | 5K | B1-U0-G2 | B2-U0-G2 | B2-U0-G3 | B3-U0-G3 | B3-U0-G3 | B3-U0-G4 |
| Lumens Type IV | | 7,900-8,650 | 9,790-10,700 | 13,270-14,500 | 18,800-20,550 | 27,100-29,650 | 39,600-43,350 |
| BUG Rating | 3K | B1-U0-G2 | B1-U0-G2 | B2-U0-G3 | B2-U0-G3 | B3-U0-G4 | B3-U0-G5 |
| | 4K | B1-U0-G2 | B2-U0-G2 | B2-U0-G3 | B3-U0-G3 | B3-U0-G5 | B3-U0-G5 |
| | 5K | B1-U0-G2 | B1-U0-G2 | B2-U0-G3 | B2-U0-G3 | B3-U0-G5 | B3-U0-G5 |
| Lumens Type V | | 8,190-8,950 | 10,140-11,050 | 13,750-15,050 | 19,500-21,340 | 28,100-30,730 | 41,090-44,940 |
| BUG Rating | 3K | B3-U0-G1 | B3-U0-G2 | B4-U0-G2 | B4-U0-G2 | B5-U0-G3 | B5-U0-G4 |
| | 4K | B3-U0-G2 | B3-U0-G2 | B4-U0-G2 | B4-U0-G2 | B5-U0-G3 | B5-U0-G4 |
| | 5K | B3-U0-G1 | B3-U0-G2 | B4-U0-G2 | B4-U0-G2 | B5-U0-G3 | B5-U0-G4 |
| Efficacy (lm/W) | | 126-149 | 130-154 | 130-153 | 130-154 | 134-158 | 133-157 |
| Dimming | | 0-10V and High-end trim | | | | | |
| Power Factor | | ≥0.90 | | | | | |
| Input Voltage | | 120-277V, 277-480V option | | | | | |
| Surge Protection | | Standard: 120-277V 10kV, 277-480V 20kA; Special order for 120-277V 20kA | | | | | |
| Housing | | Die Cast Aluminum with corrosion resistant powder coat finish | | | | | |
| Lens | | Impact resistant, UV stabilized Polycarbonate | | | | | |
| Mounting | | Die Cast Aluminum: Straight and Flexible Arm, Slip Fitter, Trunnion or Adjustable Wall | | | | | |
| EPA (sq ft) 0°/90° | | 0.43/1.34 | | 0.43/1.64 | | 0.49/2.26 | |
| Operating Temperature | | -40°F to 104°F (-40°C to 40°C) | | | | | |
| Listings | | FCC, cULus, RoHS, T24 Compliant, ANSI 3G Vibration (Bridges and Overpasses) | | | | | |
| Environment | | IP65, WL | | | | | |
| Warranty | | 10 Years | | | | | |

DIMENSIONS:



60/75W Model



100/145W Model

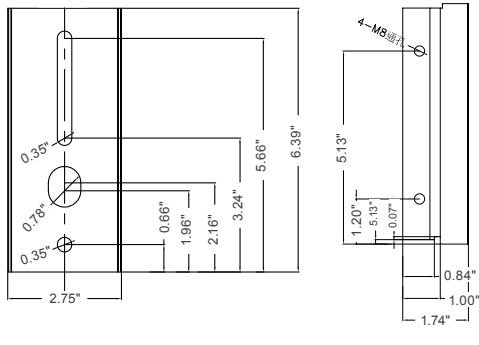


200/310W Model

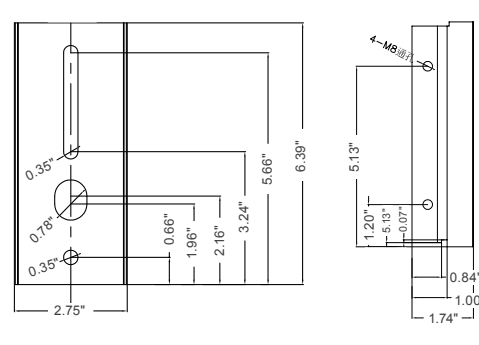
MOUNTING:



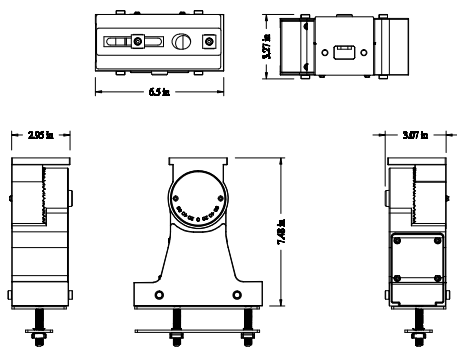
Round Pole Adapter (RPA) 3"



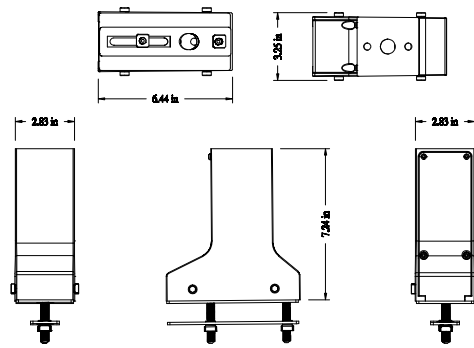
Round Pole Adapter (RPA) 4"



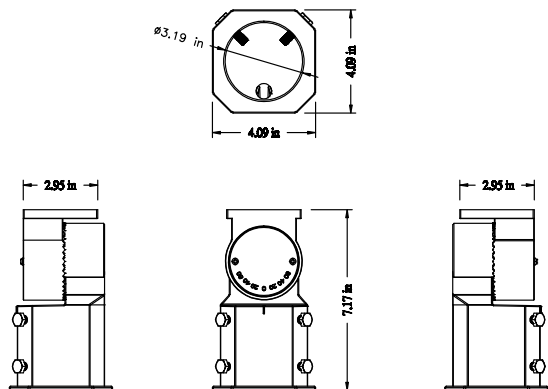
Round Pole Adapter (RPA) 5"



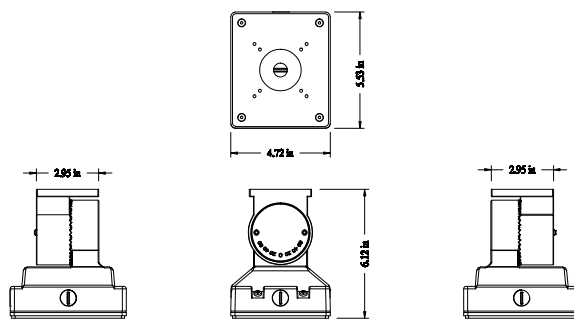
Adjustable Square Arm



Fixed Square Arm



Slipfitter Arm (fits 2 3/8"-3" OD)



Adjustable Wall Mount

ISOFOOTCANDLE:

Each gridline represents one mounting height.

For mounting heights other than noted multiply FC by the below factor.

$$\text{Factor} = \frac{(\text{Chart's Mtg Height})^2}{(\text{Actual Mtg Height})^2}$$

LEGEND

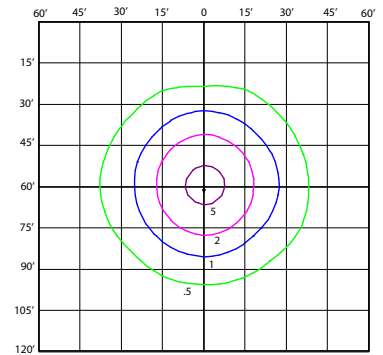
- 0.5 fc
- 1 fc
- 2 fc
- 5 fc
- 10 fc



TYPE 3 - 60W
15' MOUNTING HEIGHT



TYPE 4 - 60W
15' MOUNTING HEIGHT



TYPE 5 - 60W
15' MOUNTING HEIGHT



TYPE 3 - 75W
20' MOUNTING HEIGHT



TYPE 4 - 75W
20' MOUNTING HEIGHT



TYPE 5 - 75W
20' MOUNTING HEIGHT



TYPE 3 - 100W
25' MOUNTING HEIGHT



TYPE 4 - 100W
25' MOUNTING HEIGHT



TYPE 5 - 100W
25' MOUNTING HEIGHT



TYPE 3 - 145W
30' MOUNTING HEIGHT



TYPE 4 - 145W
30' MOUNTING HEIGHT



TYPE 5 - 145W
30' MOUNTING HEIGHT



TYPE 3 - 200W
35' MOUNTING HEIGHT



TYPE 4 - 200W
35' MOUNTING HEIGHT



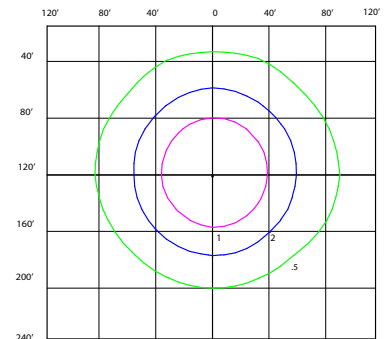
TYPE 5 - 200W
35' MOUNTING HEIGHT



TYPE 3 - 310W
40' MOUNTING HEIGHT



TYPE 4 - 310W
40' MOUNTING HEIGHT



TYPE 5 - 310W
40' MOUNTING HEIGHT