

LED SLIM AREA LIGHTS AR SERIES, GENERATION 2

Fixture shown with
Slipfitter Knuckle

60W Model



Fixture shown with
Trunnion Swivel

100-140W Model



Fixture shown with
Straight Arm

210-280W Model



FEATURES:

- Replaces up to 750W MH/HPS equivalent
- Universal 120-277V dimming driver standard, 347-480V available
- Dusk-to-dawn and occupancy sensor capability
- Greater than 100,000 hour L90 lifetime at TM21 standards at 25°C
- 5-year limited warranty
- 10kV surge suppression standard
- Comes with 41" 18/3 SO cord

MOUNTING:

- 7.5" Straight Arm¹
- Trunnion Swivel
- 2-3/8" Slipfitter Knuckle

CONTROLS:

PC Option: NEMA standard C136.41 3-pin twist lock receptacle for use with NEMA twist lock photocell. **The photocell is sold separately.**

Photo/Motion Sensor: The FSP-211 uses passive infrared (PIR) sensing technology to react to changes in infrared energy (i.e. moving body heat) within the coverage area. This slim, low-profile sensor is designed for installation inside the bottom of a light fixture body and is ideal for outdoor environments. The sensor operates at 120V/230V-240V and single phase 277V. The motion sensor is fully adjustable with high and low dimmed light level options with optional dusk to dawn control. Sensor can be combined with various lenses to operate at mounting heights from 8' to 40'. Please refer to page 4 for the sensor's factory default settings. Factory settings can be adjusted via the FSIR-100, a wireless configuration tool. **Note that the sensor comes with photocell setting disabled and the FSIR-100 must be purchased if photocell functionality is desired.**

Please refer to the FSP-211 Supplementary Datasheet for more product information.

DIMENSIONS: Please see page 3 and 4 for dimension drawings.

PRODUCT DESCRIPTION:

The LED Slim Area Lights deliver class-leading efficacy in a lightweight design that can be effortlessly applied to new and retrofit outdoor projects. Offered in lumen packages ranging from 7,700lm to over 35,000lm, the AR Series achieves up to 130 lumens per watt while providing significant long-term energy and maintenance cost savings.

| MODEL SELECTION | | Typical order example: AR60UT5-50BK | | | | | | |
|-----------------|---|--|--|---|--------------------------------------|--|---|---|
| AR | | | | | | | | |
| FAMILY | NOMINAL WATTAGE | VOLTAGE | DISTRIBUTION | - | CCT | FINISH | MOUNTING | OPTIONS |
| AR= Area Light | 60= 60W,250W MH/HPS equivalent 100= 100W, 400W MH/HPS equivalent 140= 140W, 400W MH/HPS equivalent 210= 210W, 750W MH/HPS equivalent 280= 280W, 750W MH/HPS equivalent | U= 120-277V H= 347-480V | T2= Type II T3= Type III T4= Type IV T5= Type V | - | 40= 4000K 50= 5000K | B= Bronze <i>Contact Maxlite for additional finishes</i> | A= Straight Arm ¹ K= 2-3/8" Slipfitter Knuckle T= Trunnion Swivel | (OMIT)= None MS= Daylight/Motion Sensor RPC= NEMA 3-pin receptacle (NEMA twist lock Photocell sold separately) PR7= NEMA 7-Pin receptacle (control module sold separately) |

NOTES:

1. The straight arm mounting fits square poles. For compatibility with round poles, combine the straight arm mounting with a round pole adaptor. See adaptor selection table on page 3.

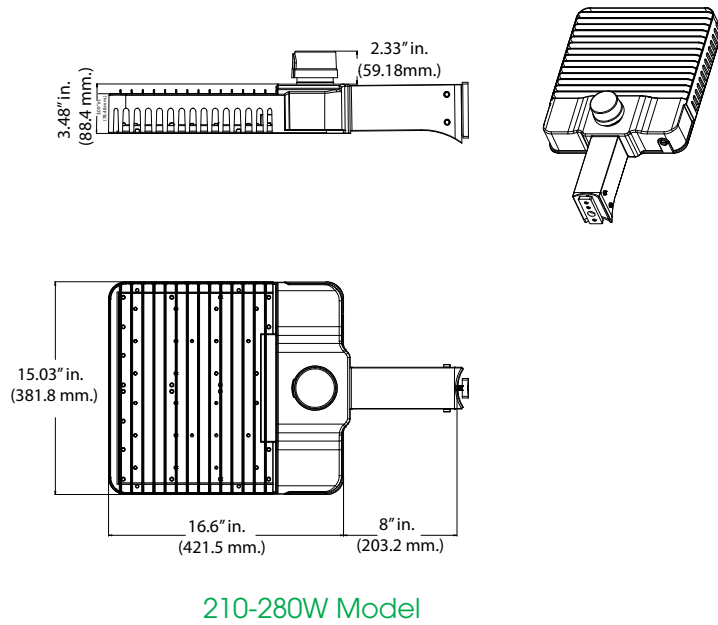
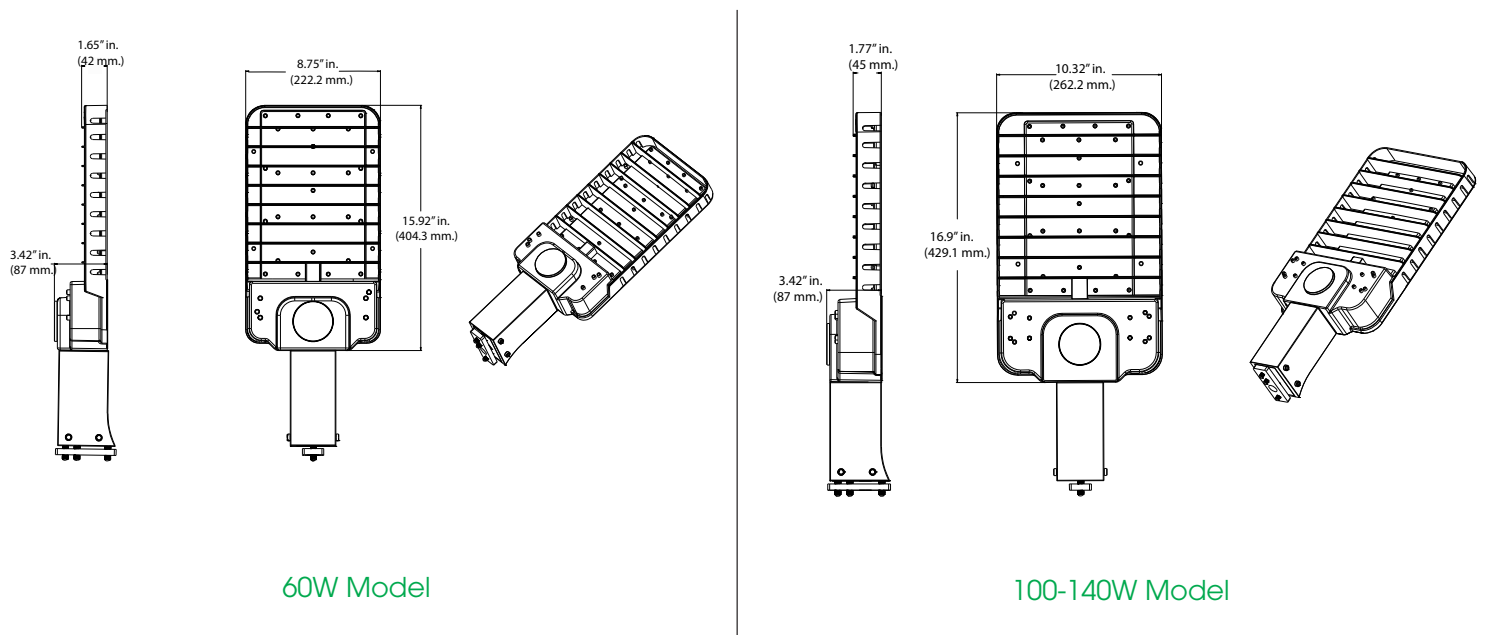
SPECIFICATIONS:

| | | | 60 WATT | 100 WATT | 140 WATT | 210 WATT | 280 WATT | |
|----------------------------|--------------------------------------|---------------------------|---|----------------------|----------|----------------------|----------|----------|
| ITEM | SPECIFICATION | | DETAILS | | | | | |
| GENERAL PERFORMANCE | Input Power (W) | | 60W | 100W | 140W | 210W | 280W | |
| | Type II | 4000K | Lumens | 7846 | 12420 | 17014 | 25633 | 34547 |
| | | | BUG Rating | B3-U0-G3 | B3-U0-G3 | B3-U0-G3 | B3-U0-G3 | B3-U0-G3 |
| | | 5000K | Lumens | 7860 | 12675 | 17922 | 26756 | 35886 |
| | | | BUG Rating | B3-U0-G3 | B3-U0-G3 | B3-U0-G3 | B3-U0-G3 | B3-U0-G3 |
| | Type III | 4000K | Lumens | 7900 | 12420 | 17014 | 25663 | 34547 |
| | | | BUG Rating | B3-U0-G3 | B3-U0-G3 | B3-U0-G3 | B3-U0-G3 | B3-U0-G3 |
| | | 5000K | Lumens | 7900 | 12675 | 17922 | 26756 | 35886 |
| | | | BUG Rating | B3-U0-G3 | B3-U0-G3 | B3-U0-G3 | B3-U0-G3 | B3-U0-G3 |
| | Type IV | 4000K | Lumens | 7615 | 12421 | 17015 | 25663 | 34548 |
| | | | BUG Rating | B3-U0-G3 | B3-U0-G3 | B3-U0-G3 | B4-U0-G4 | B5-U0-G5 |
| | | 5000K | Lumens | 7699 | 12675 | 17922 | 26756 | 35886 |
| | | | BUG Rating | B3-U0-G3 | B3-U0-G3 | B3-U0-G3 | B4-U0-G4 | B5-U0-G5 |
| | Type V | 4000K | Lumens | 7787 | 12420 | 17014 | 25663 | 34547 |
| | | | BUG Rating | B3-U0-G1 | B3-U0-G1 | B3-U0-G1 | B3-U0-G1 | B3-U0-G1 |
| | | 5000K | Lumens | 7860 | 12675 | 17922 | 26756 | 35886 |
| | | | BUG Rating | B3-U0-G1 | B3-U0-G1 | B3-U0-G1 | B3-U0-G1 | B3-U0-G1 |
| | Efficacy (lm/W) | | up to 130 lm/W | | | | | |
| | CRI | | > 70 | | | | | |
| | Lumen Maintenance (L90, TM21 @ 25°C) | | > 100,000 hours | | | | | |
| Color Temperature | | 4000K and 5000K available | | | | | | |
| Power Factor | | > 0.9 | | | | | | |
| THD | | < 16% | | | | | | |
| ELECTRICAL | Input Voltage Range | | 120-277V standard, 347-480V available | | | | | |
| | Housing | | Die-cast aluminum | | | | | |
| | Lens | | Polycarbonate lens | | | | | |
| PHYSICAL | Housing | | 2-3/8" Slipfitter, Straight Arm, Trunnion Swivel | | | | | |
| | Lens | | Type II, Type III, Type IV, Type V - Frosted lens | | | | | |
| | Mounting | | Slip Fitter, Straight Arm, Trunnion Mount options | | | | | |
| | Dimensions (Module) | | 15.9"x8.7"x3.4" | 16.9" x 10.3" x 3.4" | | 16.6" x 15.0" x 3.5" | | |
| | Weight | | 8.5 lbs | 11.8 lbs | 12.5 lbs | 22.5 lbs | 23.9 lbs | |
| | EPA (sq. ft) | | 0.43 | 0.43 | 0.43 | 0.49 | 0.49 | |
| | Operating Temperature | | -40 deg F to 131 deg F (-40 deg C to 55 deg C) | | | | | |
| QUALIFICATIONS | Qualifications | | cULus, supports T24 compliance | | | | | |
| | Material Usage | | RoHS compliant; no mercury | | | | | |
| | Environment | | Outdoor, Wet location | | | | | |
| | Warranty | | 5 years | | | | | |

ACCESSORIES:

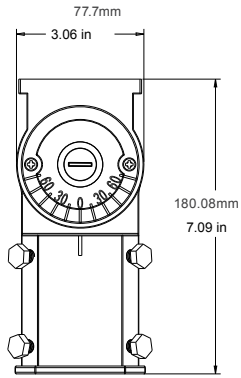
| ORDER CODE | MODEL | DESCRIPTION |
|------------|---------------|--|
| 107846 | AR-MAL-4RPA | 4" Round Pole Adaptor for AR-MAL Series, to be used with straight arm |
| 107847 | AR-MAL-5RPA | 5" Round Pole Adaptor for AR-MAL Series, to be used with straight arm |
| 72055 | 6390LBK | NEMA Twist-Lock Photo Control 120V-277V |
| 1408292 | 6394LL | NEMA Twist-Lock Photo Control 347V-480V |
| 1408947 | AR-MAL-S-HS-B | House Side Shield for AR-MAL Series, Bronze Finish, Small Size compatible with 60W/100W/140 Models |
| 1408946 | AR-MAL-L-HS-B | House Side Shield for AR-MAL Series, Bronze Finish, Large Size compatible with 210 W/280W Model |

DIMENSIONS:

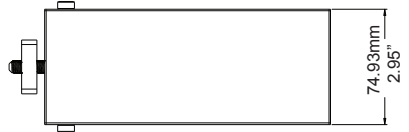
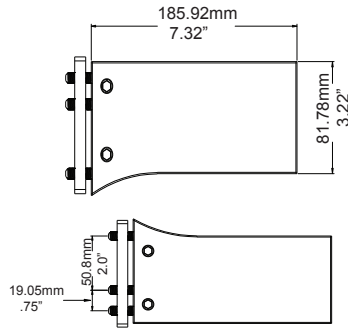
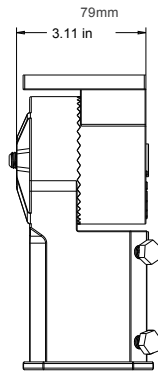


210-280W Model

MOUNTING DIMENSIONS:



Slip Fitter Knuckle



Straight Arm

Trunnion Swivel

