

LED SLIM AREA LIGHTS AR-MAL SERIES



280W Model

Fixtures shown with Slipfitter Knuckle



60-140W Model

DIMENSIONS: Please see Page 3 and 4 for dimension drawings.

PRODUCT DESCRIPTION:

Say goodbye to the clunky shoebox. The LED Slim Area Lights (AR-MAL) delivers class-leading efficacy in a lightweight design that can be effortlessly applied to new and retrofit outdoor projects. Offered in lumen packages ranging from 7,700lm to over 30,000lm watts, the AR-MAL Series achieves up to 129 lumens per watt while providing significant long-term energy and maintenance cost savings.

FEATURES:

- Replaces up to 1000W MH equivalent
- Type III and Type V optics available
- Universal 120-277V dimming driver standard, 347-480V available
- Dusk-to-dawn and occupancy sensor compatible
- Greater than 50,000 hour L70 lifetime at TM21 standards at 25°C
- 5-year limited warranty

MOUNTING:

- 6" Extruded Straight Arm**
- Trunnion Swivel
- 2-3/8" Slipfitter Knuckle
- All mounting options sold separately

CONTROLS:

Motion/Daylight Sensor: Passive infrared (PIR) sensing technology that reacts to changes in infrared energy (i.e. moving body heat) within the coverage area. This slim, low-profile sensor is designed for installation inside the bottom of a light fixture body and is ideal for outdoor environments. The sensor operates at 120V/230V-240V and single phase 277V. The IP66 rated motion sensor is fully adjustable with high and low dimmed light level options and mounting heights from 8' to 40'.

Please refer to the MS4 Supplementary Datasheet for more product information.

| MODEL SELECTION | | Typical order example: AR-MAL60UT350-BR | | | | | |
|----------------------------|--|--|--|---|---------------------------------------|---|--|
| AR-MAL | | | | - | | | |
| FAMILY | NOMINAL WATTAGE | VOLTAGE | DISTRIBUTION | - | CCT | FINISH | CONTROLS |
| AR-MAL Medium = Area Light | 60= 60W, 150W PSMH equivalent 100= 100W, 250W PSMH equivalent 140= 140W, 400W PSMH equivalent 280= 280W, 750W PSMH equivalent | U= 120-277V H= 347-480V | T3= Type III T5= Type V | - | 40= *4000K 50= 5000K | BR= Bronze **BL= Black **WH= White | (OMIT)= None MS1= Daylight/Motion Sensor RPC= NEMA 3-pin photocontrol options |

| MOUNTING SELECTION | | Typical order example: AR-MALSK-BR | |
|----------------------------|---|------------------------------------|---|
| AR-MAL | | - | |
| FAMILY | ARM | - | FINISH |
| AR-MAL = Medium Area Light | ***SA= Straight Arm SK= Slipfitter Knuckle TS= Trunnion Swivel | | BR= Bronze **BL= Black **WH= White |

NOTES:

*4000K is currently unavailable with 280W Models.
 **Black and white finish are special order. Contact MaxLite representative for quantities and lead times.
 ***The straight arm mounting fits square poles. For compatibility with round poles, combine the straight arm mounting with a round pole adaptor. See adaptor selection table on next page.

ROUND POLE ADAPTORS**:**

| ORDER CODE | MODEL | DESCRIPTION |
|------------|-------------|---|
| 107846 | AR-MAL-4RPA | 4" Round Pole Adaptor for AR-MAL Series, to be used with straight arm |
| 107847 | AR-MAL-5RPA | 5" Round Pole Adaptor for AR-MAL Series, to be used with straight arm |

****Must be used with straight arm mounting

SPECIFICATIONS:

| | | AR-MAL60 | AR-MAL100 | AR-MAL140 | AR-MAL280 |
|----------------------------|---------------------------------------|---|-----------|-----------|-------------------------------|
| ITEM | SPECIFICATION | DETAILS | | | |
| GENERAL PERFORMANCE | Input Power (W) | 61 | 96 | 135 | 273 |
| | Lumens Delivered (lm) - 4000K | 7,825 | 12,530 | 17,135 | Not Offered |
| | Efficacy (lm/W) - 4000K | 129 | 130 | 127 | Not Offered |
| | Lumens Delivered (lm) - 5000K | 7,725 | 12,360 | 17,120 | 31,015 |
| | Efficacy (lm/W) - 5000K | 129 | 129 | 126 | 114 |
| | CRI | ≥75 | | | |
| | Lumen Maintenance (L70, TM-21 @ 25°C) | ≥50,000 | | | |
| | Color Temperature | 5000K standard, 4000K available | | | |
| | Spacing Criteria | Available Upon Request | | | |
| | Color Consistency | Proprietary binning for uniform color | | | |
| ELECTRICAL | Power Factor (120/277V) | >0.99/>0.89 | | | |
| | Input Voltage | 120-277V standard, 347-480V available | | | |
| PHYSICAL | Housing | Die-cast aluminium | | | |
| | Lens | Type III, Type V - Frosted lens | | | |
| | Mounting | Slip Fitter, Straight Arm, Trunnion Mount options | | | |
| | Dimensions | 22.48" L x 12.28" W x 3.22" H | | | 24.6" L x 15.28" W 3.48" H |
| | Weight | 16.1 lbs | 16.3 lbs | 17.0 lbs | 24.8 lbs |
| | EPA (sq. ft) | 0.43 | 0.43 | 0.43 | 0.49 |
| | Operating Temperature | -35°C to 55°C | | | |
| | Humidity | 100% | | | |
| QUALIFICATIONS | Qualifications | *DLC Premium, cULus, LM-79, T24 compliant | | | |
| | Material Usage | RoHS compliant; no mercury | | | |
| | Environment | Outdoor, Wet location | | | |
| | Warranty | 5 years | | | |

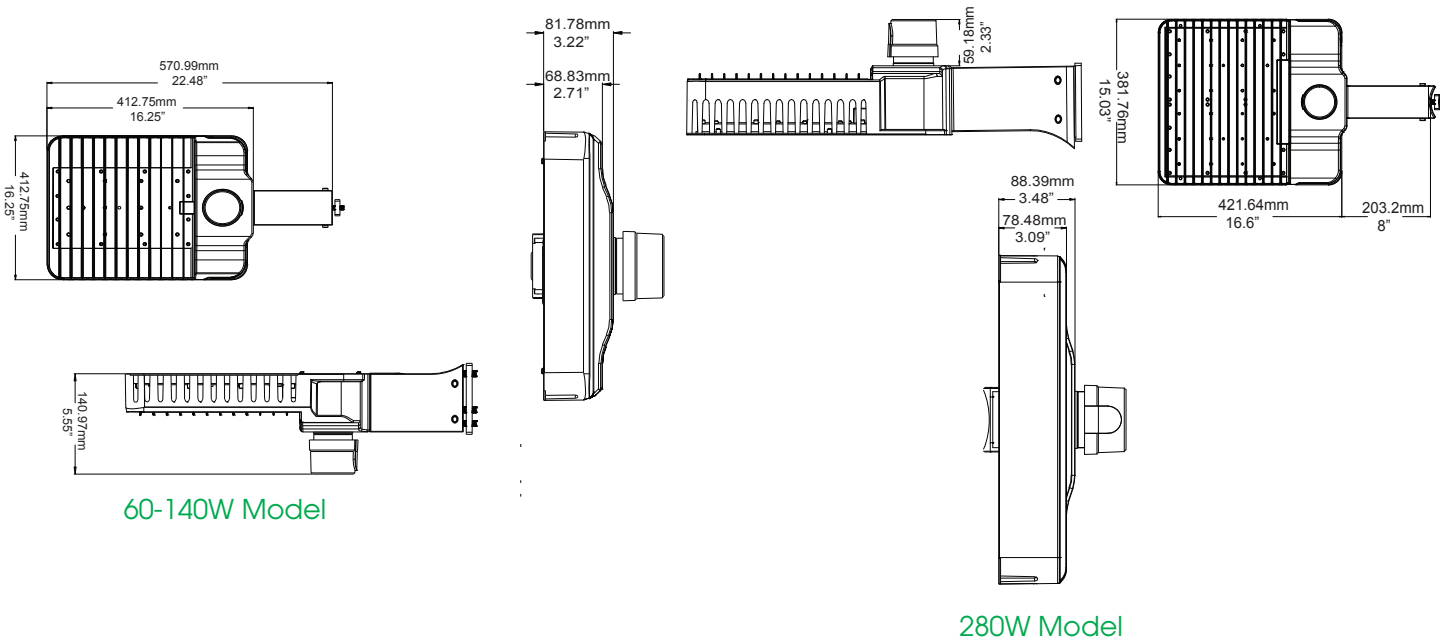
*Type V optic is DLC pending. 280W models are DLC pending

ORDERING:

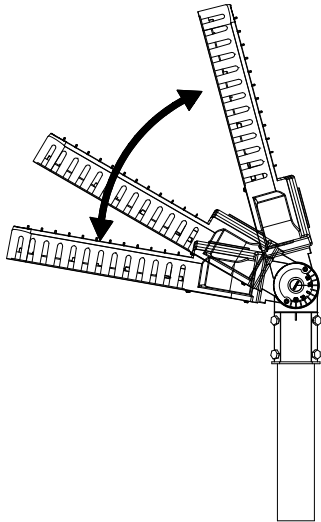
| ORDER CODE | MODEL | FINISH | VOLTAGE | DISTRIBUTION | NOMINAL WATTAGE | CCT |
|------------|-------------------|--------|---------|--------------|-----------------|-------|
| 103544 | AR-MAL60UT3-50BR | BRONZE | 120-277 | TYPE III | 60 | 5000K |
| 107412 | AR-MAL60UT5-50BR | BRONZE | 120-277 | TYPE V | 60 | 5000K |
| 103553 | AR-MAL100UT3-50BR | BRONZE | 120-277 | TYPE III | 100 | 5000K |
| 107421 | AR-MAL100UT5-50BR | BRONZE | 120-277 | TYPE V | 100 | 5000K |
| 103562 | AR-MAL140UT3-50BR | BRONZE | 120-277 | TYPE III | 140 | 5000K |
| 107430 | AR-MAL140UT5-50BR | BRONZE | 120-277 | TYPE V | 140 | 5000K |
| 103571 | AR-MAL280UT3-50BR | BRONZE | 120-277 | TYPE III | 280 | 5000K |
| 107439 | AR-MAL280UT5-50BR | BRONZE | 120-277 | TYPE V | 280 | 5000K |

*Please contact your MaxLite representative to order products that don't have order codes listed here.

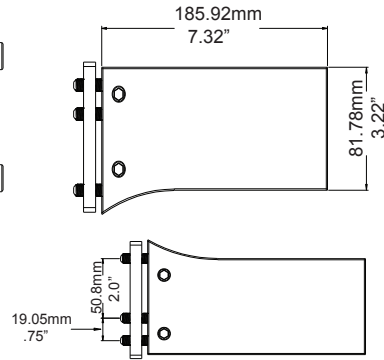
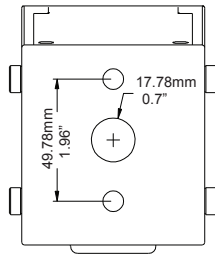
DIMENSIONS:



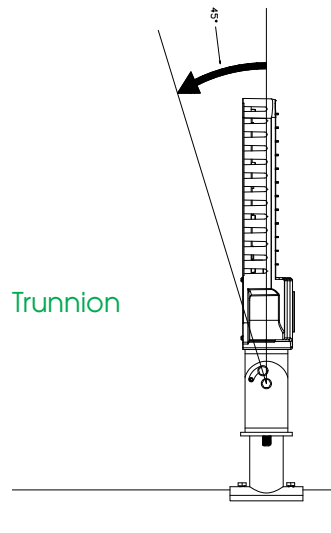
DIMENSIONS:



Slip Fitter



Straight Arm Pole



Trunnion