

LED Wall Pack



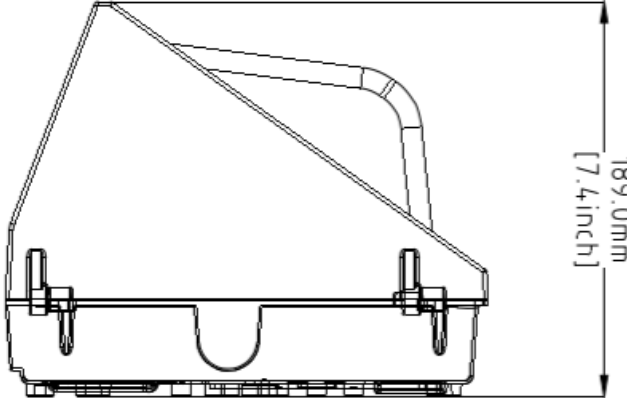
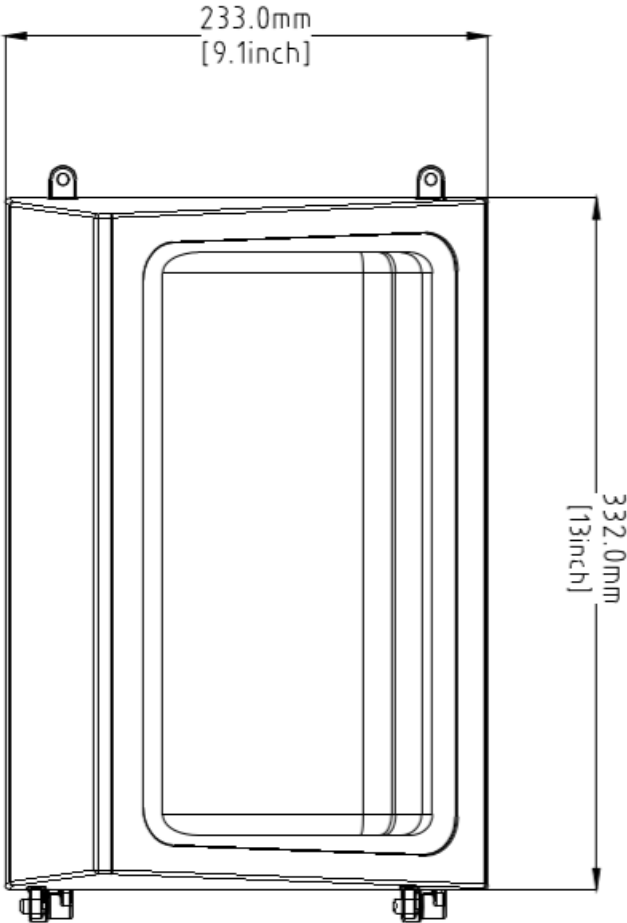
A traditional look with a brand new engine.
- LED Magazine



Specifications

Model Number	AE-L-WPIS-28	AE-L-WPIS-40	AE-L-WPIS-60	AE-L-WPIS-90
DLC #	U-IWP-28	U-IWP-40	U-IWP-60	U-IWP-90
DLC Partner	Ultron Industries			
Input Wattage	28W	40W	60W	90W
Replacement Wattage	25 -100 Watts	100 -200 Watts	200-300 Watts	300-500 Watts
Input Voltage Range	120-277V			
Delivered Lumens	2660 lm	3721 lm	5700 lm	8614 lm
Lumen Efficiency	95 LM/W	95 LM/W	100 LM/W	95 LM/W
Color Rendering Index (CRI)	70+			
Color Temperature (Kelvin)	3000K-5700K			
Beam Angle	120°			
Power Factor	0.99			
Frequency	50/60Hz			
MAX THD (%)	15			
Min. Ambient Temp	-30.0°F / -34.4°C			
Max. Ambient Temp	130.0°F / 48.9°C			
IP Rating	IP65			
Dimming Compatible	3 in 1 dimming function (1~10Vdc or PWM signal or resistance)			
Product Weight	8.8LB / 4.0KG			
Product Height	9.1" / 233mm			
Product Length	13.0" / 332mm			
Product Width	7.4" / 189mm			
Lens	Glass			
Materials	Die Cast Aluminum			
Finish	Black (Default)			
LM70 Life Time	100,000 Hours			
UL/cUL	E481056			
DLC®	YES			
CE	YES			
FCC	YES			
Warranty	5 Years			

Dimensions



User Guide

Note:

Please read this entire manual to fully understand and safely use the luminaire. The products can be used at the voltage of 100-277V AC, 50/60HZ, suitable for indoor and outdoor, moisture proof and dust proof. Specifications are subject to change without notice. Please visit www.altechefficiency.com for the most recent product information.

Unpacking:

1. Unpack and carefully examine the product.
2. Report any damage and save all packing materials if any part(s) were damaged during shipping.
3. Do not attempt to use the fixture if it is damaged.

Before You install:

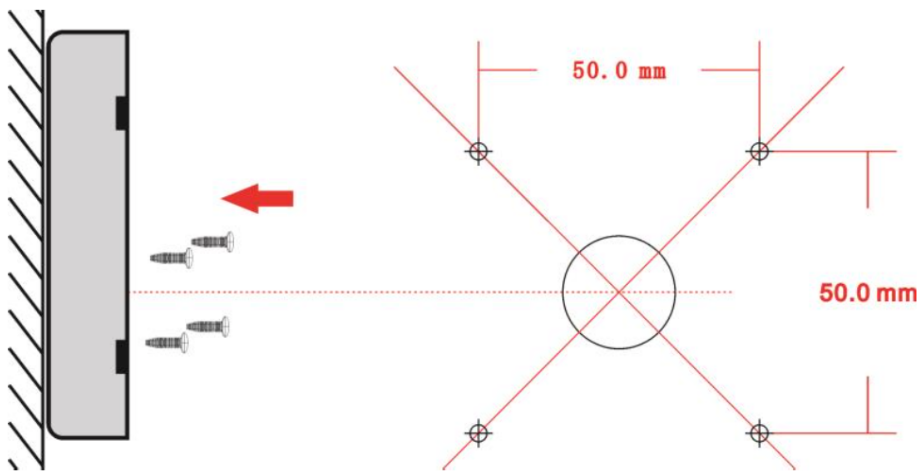
1. Before installing any light fixtures, read and understand all cautions, warnings, instructions and product labels. Failure to do so can result in injury and/or void the warranty.
2. CONSULT A QUALIFIED ELECTRICIAN TO ENSURE CORRECT BRANCH CIRCUIT CONDUCTOR.
3. The product should be installed and operated by a qualified electrician or technician in accordance with relevant local codes.
4. Risk of electric shock. Ensure that main power source is off when wiring or soldering the sections of the product.

Maintenance:

1. This fixture is designed for years with minimum care. For optimum performance, periodically clean the lens with a mild, non abrasive glass cleaner and soft cloth. DO NOT use solvents or cleaners containing abrasive agents. When cleaning the fixture, make sure you have the power turned off and do not spray liquid cleaner directly onto the LED, socket or wiring.
2. Disconnect the product from the power supply prior to cleaning.
3. Use a dry or slightly moistened cloth for cleaning.
4. Never use any chemicals or abrasive materials for cleaning.

Installation Instructions:

1. Loosen the screws on the side of the wall pack and open the fixture.
2. Remove the wire nuts connecting the driver to the LED board and disconnect wires.
3. Remove the front of the fixture by lifting off the hinge.
4. Choose mounting hole option and remove respective mounting hole cover.
5. Screw on the cable gland that accompanied the fixture.
6. To shorten installation time, drill appropriate mounting holes in the back of the fixture to align with existing holes whenever possible.



7. Connect the input and ground wires of the fixture to the power supply. **Brown is live. Blue is neutral. Green/Yellow is ground. Wiring inside the fixture is recommended.**
8. Reattach front of fixture to the mounting hinges.
9. Reconnect the driver to the LED board with the provided wire nuts.
10. Close the fixture and secure the screws on the side of the fixture.

