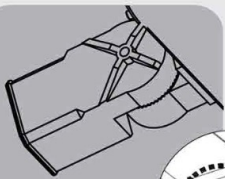


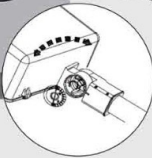
# LED Shoebox Fixture



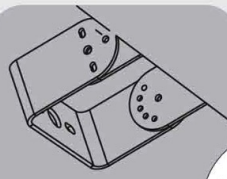
"This is the fixture that we recommend to all of our members locations...." National Retail Federation



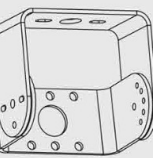
Slip Fitter



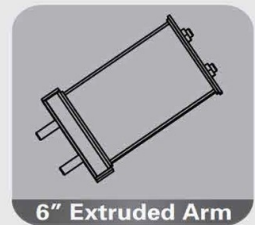
Length: 6.96-in  
Width: 3.071-in  
Height: 2.95-in



Swivel Bracket



Length: 5.5-in  
Width: 3.75-in  
Height: 4.75-in



6" Extruded Arm

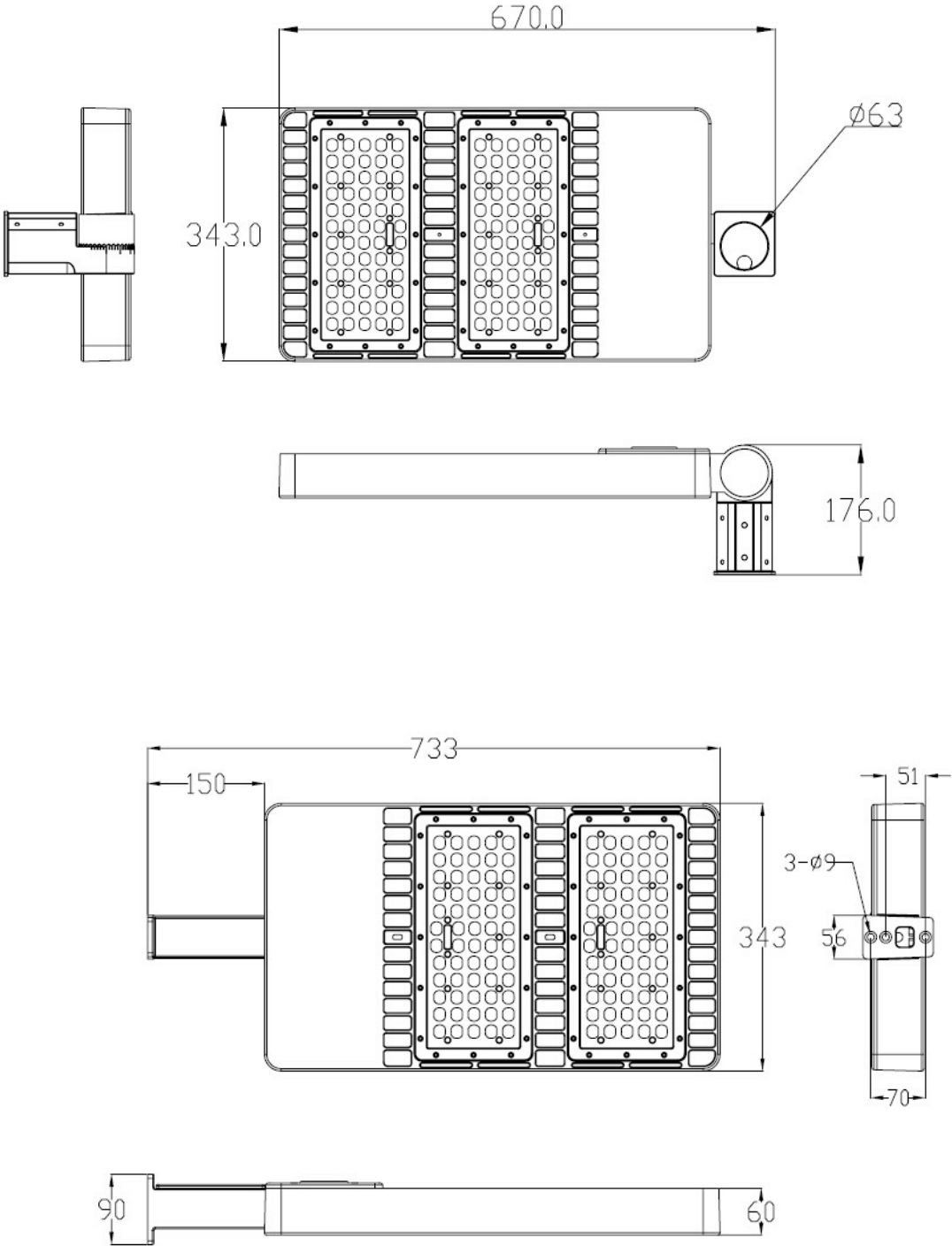


Length: 8.87-in  
Width: 4.5-in  
Height: 4.17-in

# Specifications

<b>Wattage:</b>	200W	300W
<b>Model Number:</b>	AE-L-SBHO-200	AE-L-SBHO-300
<b>DLC #:</b>	PL670-W200	PL670-W300
<b>DLC Partner:</b>	YaoRong	
<b>ETL Certification:</b>	YES	
<b>Certifications:</b>		
<b>Voltage:</b>	120-277V(Default) / 277-480V	
<b>Power Factor:</b>	0.98	
<b>Frequency:</b>	50/60Hz	
<b>Lumens Efficiency:</b>	110LM/W	
<b>Kelvin (CCT):</b>	3000K/3500K/4000K/4500K/5000K(default)	
<b>CRI:</b>	80+	
<b>IP Rating:</b>	IP65	
<b>Light Distribution:</b>	Type 1~5	
<b>Materials:</b>	Die Cast Aluminum	
<b>Finish:</b>	Black (Default)	
<b>LM70 Life Time:</b>	100,000	
<b>Bracket:</b>	Slip Fitter (Default) /Arm Bracket	
<b>Warranty:</b>	5 Years	
<b>Temperature Range:</b>	-34°C ~ 54°C (-30°F ~ 120°F)	
<b>Weight:</b>	10.0KG 22.0LB	
<b>Packaging Dimensions:</b>	820*400*180mm 32.3*15.7*7.1INCH	
<b>Replacement Wattage:</b>	800W	1200W

# Dimensions



# User Guide

## Note:

Please read this entire manual to fully understand and safely use the luminaire. The products can be used at the voltage of 100-277V AC, 50/60HZ, suitable for indoor and outdoor, moisture proof and dust proof. Specifications are subject to change without notice. Please visit [www.altechefficiency.com](http://www.altechefficiency.com) for the most recent product information.

## Unpacking:

1. Unpack and carefully examine the product.
2. Report any damage and save all packing materials if any part(s) were damaged during shipping.
3. Do not attempt to use the fixture if it is damaged.

## Before You install:

1. Before installing any light fixtures, read and understand all cautions, warnings, instructions and product labels. Failure to do so can result in injury and/or void the warranty.
2. CONSULT A QUALIFIED ELECTRICIAN TO ENSURE CORRECT BRANCH CIRCUIT CONDUCTOR.
3. The product should be installed and operated by a qualified electrician or technician in accordance with relevant local codes.
4. Risk of electric shock. Ensure that main power source is off when wiring or soldering the sections of the product.

## Maintenance:

1. Disconnect the product from the power supply prior to cleaning.
2. Use a dry or slightly moistened cloth for cleaning.
3. Never use any chemicals or abrasive materials for cleaning.

## Installation Instructions:

1. Before wiring, suspend the light fixture in position on the pole to enable easy wiring.
2. It is recommended that each fixture be powered on the ground prior to installation onto the pole.
3. Connect the input and ground wires of the fixture to the power supply.
4. Complete all electrical connections.
5. Tuck the connected wires into the mounting arm to prevent any pinching during fixture mounting.
6. Slide the hole of the mounting arm onto the pole and tighten the hexagon screw.
7. This fixture is designed for years with minimum care. For optimum performance, periodically clean the lens with a mild, non abrasive glass cleaner and soft cloth. DO NOT use solvents or cleaners containing abrasive agents. When cleaning the fixture, make sure you have the power turned off and do not spray liquid cleaner directly onto the LED, socket or wiring.

