

|            |  |
|------------|--|
| Project:   |  |
| Type:      |  |
| Catalog #: |  |

### STANDARD



### FEATURES

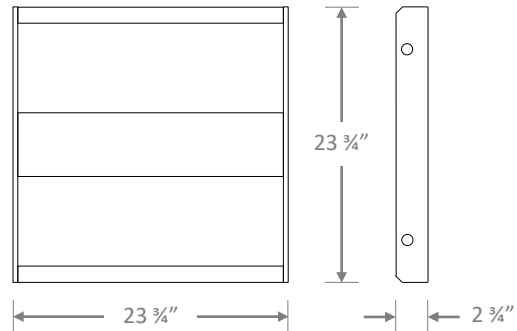
- Available in 3500k (warm/neutral white), 4000k (neutral white) & 5000k (cool white) color temperatures.\*
- Long-life LEDs provide at least 144,000 hours of operation with at least 70% of initial lumen output (L<sub>70</sub>).\*\*
- Provides 3,096-3,212 lumens and 130-135 lumens per watt (LPW).
- Uniform illumination with no visible LED pixilation.
- Universal 120-277 AC voltage (50-60Hz) is standard.
- 0-10vdc, continuous dimming capability is standard.
- Power factor > 0.90.
- Total harmonic distortion < 20%.
- Color rendering index (R<sub>a</sub>) ≥ 80.
- Steel housing and PMMA lens.
- Easy installation in new construction or retrofit. Fits in standard 2' x 2' grid ceilings.
- Built-in earthquake clips provide secure installation in grid ceilings.
- Standard mounting options include recessed mounting in grid ceilings, or suspended mounting using earthquake clips. For other mounting options, see Mounting Means (page 4).

\* Contact factory for other color temperatures and lumen packages.  
\*\* L70 hours are IES TM-21-11 calculated hours.

### WARRANTY & LISTINGS

- cULus listed for damp locations and insulated ceiling in ambient temperatures from -20°C to 50°C (-4°F to 122°F).
- UL listed for maximum of 4, 12 AWG through branch circuit conductor.
- Inherently protected.
- Type IC rated for insulated ceilings.
- DLC 5.1 premium approved.
- Low risk of flicker (per IEEE1789-2015) at 100% light output level.
- Complies with FCC Part 15, class B.
- Complies with IEEE C.62.41-1991, Class A input transient surge protection (2.5kV).
- 5-year warranty of all electronics and housing.

### DIMENSIONS



**Weight: 11.5 lbs.**

### ORDERING INFORMATION

Example: CB22-3L-5K-PRM-ODS-EM20

| Series | Nominal Lumens |          | Color Temperature |       | DLC | Occupancy Sensor <sup>1</sup> |                     | Emergency Driver <sup>2,3</sup> |              |
|--------|----------------|----------|-------------------|-------|-----|-------------------------------|---------------------|---------------------------------|--------------|
| CB22   | 3L             | 3,000 lm | 35K               | 3500K | PRM | ODS                           | Microwave           | EM8                             | 800 lumens   |
|        |                |          | 4K                | 4000k |     | Blank                         | No occupancy sensor | EM12                            | 1,200 lumens |
|        |                |          | 5K                | 5000k |     |                               |                     | EM16                            | 1,600 lumens |
|        |                |          |                   |       |     |                               | EM20                | 2,000 lumens                    |              |
|        |                |          |                   |       |     |                               | EM24                | 2,400 lumens                    |              |
|        |                |          |                   |       |     |                               | EC8                 | 800 lumens                      |              |
|        |                |          |                   |       |     |                               | EC12                | 1,200 lumens                    |              |
|        |                |          |                   |       |     |                               | EC16                | 1,600 lumens                    |              |
|        |                |          |                   |       |     |                               | EC20                | 2,000 lumens                    |              |
|        |                |          |                   |       |     |                               | EC24                | 2,400 lumens                    |              |
|        |                |          |                   |       |     |                               | Blank               | No emergency driver             |              |

<sup>1</sup> Contact factory for other sensors.

<sup>2</sup> See list of emergency drivers (page 3).

<sup>3</sup> EC emergency drivers are California Energy Commission (CEC) listed.

**Phone number 888-953-EXIT (3948)**

### ELECTRICAL DATA

| Model           | Color Temp. | CRI <sup>1</sup> | Luminaire Lumens | Luminaire Watts | Lumens Per Watt | Input Voltage | Input Current (A) |      |      | Power Factor | THD <sup>2</sup> | L <sub>70</sub> Hours <sup>3</sup> |
|-----------------|-------------|------------------|------------------|-----------------|-----------------|---------------|-------------------|------|------|--------------|------------------|------------------------------------|
|                 |             |                  |                  |                 |                 |               | 120V              | 240V | 277V |              |                  |                                    |
| CB22-3L-35K-PRM | 3500k       | > 80             | 3,096            | 24              | 130             | 120-277V      | 0.20              | 0.10 | 0.09 | > 90%        | < 20%            | 144,000                            |
| CB22-3L-4K-PRM  | 4000k       | > 80             | 3,192            | 24              | 134             | 120-277V      | 0.20              | 0.10 | 0.09 | > 90%        | < 20%            | 144,000                            |
| CB22-3L-5K-PRM  | 5000k       | > 80             | 3,212            | 24              | 135             | 120-277V      | 0.20              | 0.10 | 0.09 | > 90%        | < 20%            | 144,000                            |

<sup>1</sup> Color rendering index

<sup>2</sup> Total harmonic distortion

<sup>3</sup> L<sub>70</sub> refers to the number of hours at which lumen output declines to 70% of the initial level. L<sub>70</sub> hours are IES TM-21-11 calculated hours.

### PHOTOMETRIC DATA

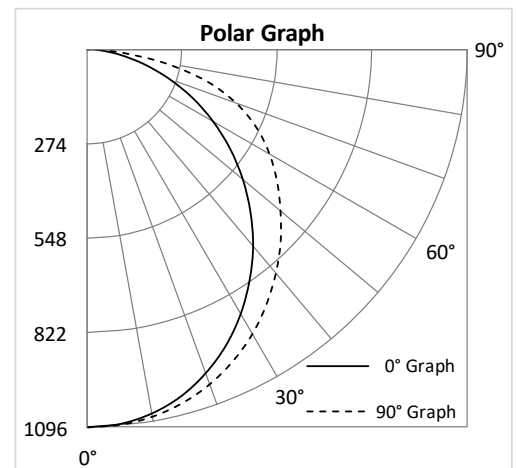
#### CB22-3L-5K-PRM

##### Luminaire Data

|                             |                                 |
|-----------------------------|---------------------------------|
| Description                 | 2X2 LED Center Basket<br>3L, 5K |
| Total Lumens                | 3,212                           |
| Input Wattage               | 24                              |
| Efficacy (lm/W)             | 135                             |
| Spacing Criterion (0-180°)  | 1.22                            |
| Spacing Criterion (90-270°) | 1.3                             |

##### Zonal Lumen Summary

| Zone    | Lumens | %Fixt  |
|---------|--------|--------|
| 0-20°   | 399    | 12.4%  |
| 0-30°   | 844    | 26.3%  |
| 0-40°   | 1,377  | 42.9%  |
| 20-50°  | 1,532  | 47.7%  |
| 40-70°  | 1,487  | 46.3%  |
| 0-60°   | 2,444  | 76.1%  |
| 0-80°   | 3,135  | 97.6%  |
| 0-90°   | 3,212  | 100.0% |
| 90-180° | 0      | 0.0%   |
| 0-180°  | 3,212  | 100.0% |



### COMPATIBLE EMERGENCY DRIVERS \*

| Emergency Driver Part Number | EM8 / EC8 |           | EM12 / EC12 |           | EM16 / EC16 |           | EM20 / EC20 |           | EM24 / EC24 |           | Runtime  |
|------------------------------|-----------|-----------|-------------|-----------|-------------|-----------|-------------|-----------|-------------|-----------|----------|
|                              | Watts     | EM Lumens | Watts       | EM Lumens | Watts       | EM Lumens | Watts       | EM Lumens | Watts       | EM Lumens |          |
| CB22-3L-xxK-PRM              | 5.0       | 650       | 7.8         | 1020      | 10.7        | 1390      | 13.7        | 1780      | 17.0        | 2210      | 90 MINS. |
| CB24-5L-35K-PRM              | 5.0       | 650       | 7.8         | 1020      | 10.7        | 1390      | 13.7        | 1780      | 17.0        | 2210      | 90 MINS. |

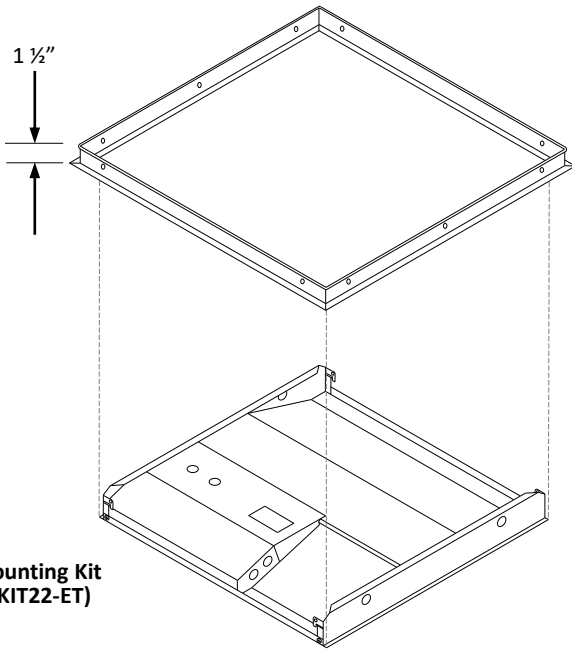
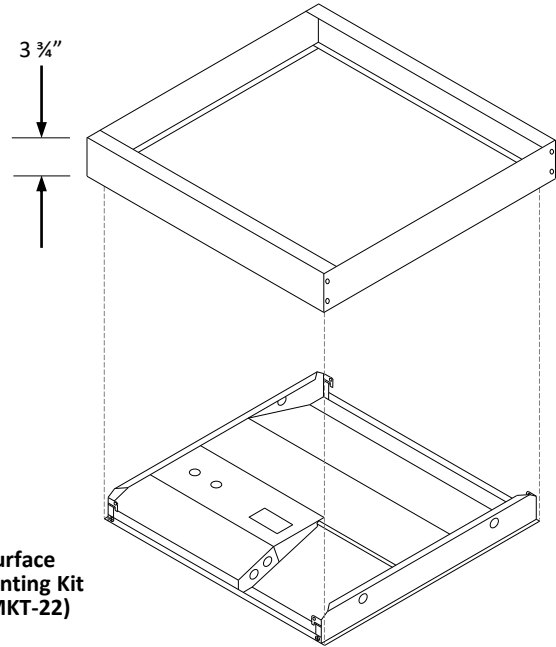
\* Suitable for ambient above 0°C ( 32°F )

### COMPATIBLE DIMMERS

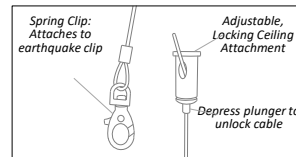
| Manufacturer     | Model Number | Dimming Range | Load Switching Capacity |
|------------------|--------------|---------------|-------------------------|
| Lutron           | DVSTV        | 10%-100%      | 450W                    |
| Leviton          | IP710-LFZ    | 10%-100%      | 1200W                   |
| General Protecht | DMD-LED3-102 | 10%-100%      | 600W                    |

### MOUNTING MEANS – ORDER SEPERATATLY

- Optional surface mounting kits (SMKT-22) mounts below the ceiling.
- Optional flange mounting kits provide for recessed installation on plaster or other hard ceilings. Attach Flange Mount Kit (FLANGEKIT22-ET) to ceiling joists or other stationary structures, and the panel is mounted flush to the ceiling.
- Optional cable mounting kits provide additional security, as well as suspended mounting. Attach one end of the Cable Mount Kit (LEDPNL-CMK) to luminaire earthquake clips using spring clips, and attach the other end to stationary structures using the adjustable, locking ceiling attachment (see picture below right).



### Cable Mounting Kit (LEDPNL-CMK)



### Cable Mount Kit:

- Spring Clip
- Adjustable, locking ceiling attachment