

SOLAR LIGHTING DIRECT

PRODUCT CATALOGUE



**Solar
Lighting
DIRECT**

PH: 1300 135 911

Website: www.solarlightingdirect.com.au

Email: sales@solarlightingdirect.com.au

Solar Lighting Direct started in July 2014 and is an **Australian owned** business with over 25 years of experience in the lighting and electrical industries. Since our inception into the Solar Lighting market, SLD has very quickly become one of the leading importers for stand-alone solar lighting products and boasts one of the most comprehensive ranges spanning across Residential, Commercial & Industrial products.

Quality is no compromise when it comes to our products and this is the strength on which the SLD brand continues to thrive on!

Every light you will find in this catalogue is **Solar Powered**, with their design incorporating functionality, durability and style. All of our products are designed and engineered to suit our Australian lifestyles and are backed with an unconditional replacement warranty of 12-24 months (Subject to Range).



All images and information in this publication are a guide to the displayed product and should be checked with www.solarlightingdirect.com.au for updates prior to purchase. Information is subject to change, without notification, at the discretion of Solar Lighting Direct.

For further information please contact the team at Solar Lighting Direct

For information about our warranty visit:

<https://solarlightingdirect.com.au/pages/shipping-refund-policies>

Solar Lighting Direct

Index

Residential Range

- 4 | Path/Deck Lights
- 9 | Wall Lights
- 19 | Bollard Lights
- 24 | Post Lights
- 31 | Pillar Lights
- 34 | Flood Lights
- 37 | Garden Spot Lights
- 41 | Illuminated House Numbers
- 42 | Multi-Purpose Lights
- 43 | Portable Camping Lanterns
- 46 | Bud/Christmas Lights
- 47 | Meteor Lights
- 48 | Festoon Lights
- 50 | Strip Lighting
- 51 | Portable Lighting Systems
- 52 | Skylights

Commercial Range

- 53 | Flood Lights
- 56 | Bollards
- 59 | Batten Lights
- 61 | Pillar Lights
- 63 | Post Lights
- 64 | Wall Washer/Uplighters
- 68 | Park Lights
- 69 | Sign Lights

Industrial Range

- 71 | Portable Lighting Systems
- 72 | Bollard Lights
- 75 | Road Studs
- 76 | Park Lights
- 77 | High Bay Light
- 78 | Street Lights
- 86 | Sectional Aluminium Poles

Additional Information

- 87 | Solar Panel Information
- 88 | Why Us?
- 89 | Battery Technology

Residential Range

Path/Deck Lights

Tiki Torch

Product Code	LED's	Battery	Solar Panel	IP Rating	Lumens
SLDTT/1	96 x 3528 (WW)	3.7v 2200mAh Lithium	1w	65	35

Features:

- ABS/PC Plastics Construction
- Polycarbonate Lens
- Approximately 12 hours Operation
- Spike Mounting
- Candle-Like Flicker Effect

1 Year Warranty!

Definitions:

WW = Warm White

CW = Cool White

RGB = Red, Green & Blue

Packaged Fitting Weight & Dimensions

W: 1kg

D: 34cm x 16cm x 14cm



Residential Range

Path/Deck Lights

Deck/In-Ground Kit

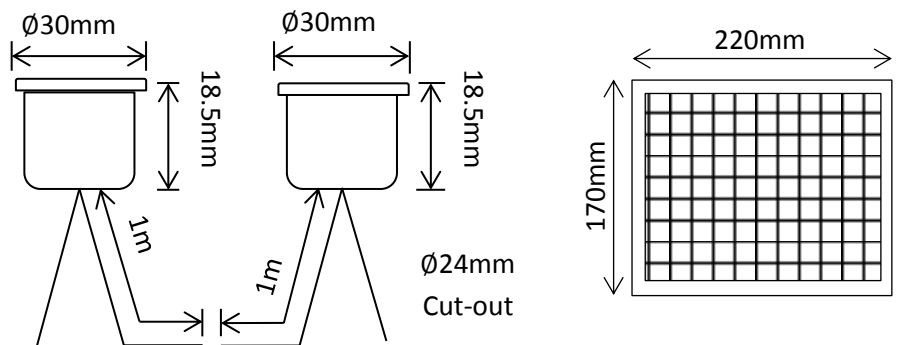
Product Code	LED's	Battery	Solar Panel	IP Rating	Lumens
SLDDLK-5	5 x 0.3w (WW)	3.7v 2200mAh Lithium	3w Polycrystalline	Panel = 65 Lights = 67	40

Features:

- Stainless Steel Construction
- Approximately 6-8 hours Operation
- 100kg Max Walk Over Pressure
- Flush Mounting Position
- 5m Moulded Cable from Solar Panel to First Light
- 2m Moulded Cable Joining Light to Light



1 Year Warranty!



Definitions:

WW = Warm White

CW = Cool White

RGB = Red, Green & Blue

Packaged Fitting Weight & Dimensions

W: 1kg

D: 31cm x 18cm x 7cm

Residential Range

Path/Deck Lights

Deck/In-Ground Kit

Product Code	LED's	Battery	Solar Panel	IP Rating	Lumens
SLDDLK-10	10 x 0.3w (WW)	3.7v 2600mAh Lithium	5w Polycrystalline	Panel = 65 Lights = 67	40

Features:

- Stainless Steel Construction
- Approximately 6-8 hours Operation
- 100kg Max Walk Over Pressure
- Flush Mounting Position
- 5m Moulded Cable from Solar Panel to First Light
- 2m Moulded Cable Joining Light to Light



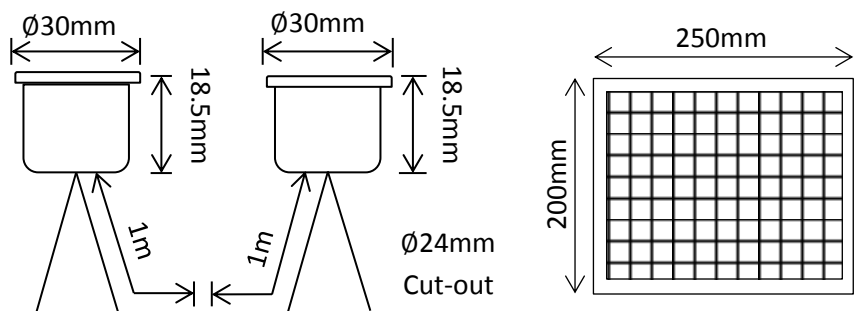
1 Year Warranty!

Definitions:

WW = Warm White

CW = Cool White

RGB = Red, Green & Blue



Packaged Fitting Weight & Dimensions

W: 1.3kg

D: 27cm x 21cm x 6.5cm

Residential Range

Path/Deck Lights

Deck/In-Ground Kit

Product Code	LED's	Battery	Solar Panel	IP Rating	Lumens
SLDDLK-10RGB	10 x 0.3w (RGB)	3.7v 2600mAh Lithium	5w Polycrystalline	Panel = 65 Lights = 67	40

Features:

- Stainless Steel Construction
- Approximately 6-8 hours Operation
- 100kg Max Walk Over Pressure
- Flush Mounting Position
- 5m Moulded Cable from Solar Panel to First Light
- 2m Moulded Cable Joining Light to Light

1 Year Warranty!



Definitions:

WW = Warm White

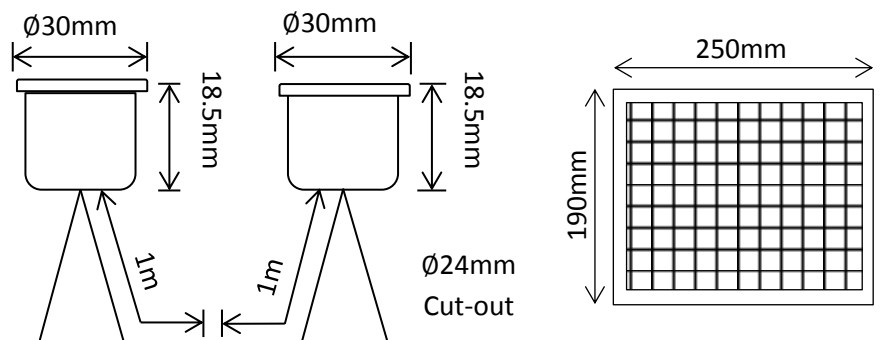
CW = Cool White

RGB = Red, Green & Blue

Packaged Fitting Weight & Dimensions

W: 2.3kg

D: 30cm x 19cm x 12cm



Residential Range

Path/Deck Lights

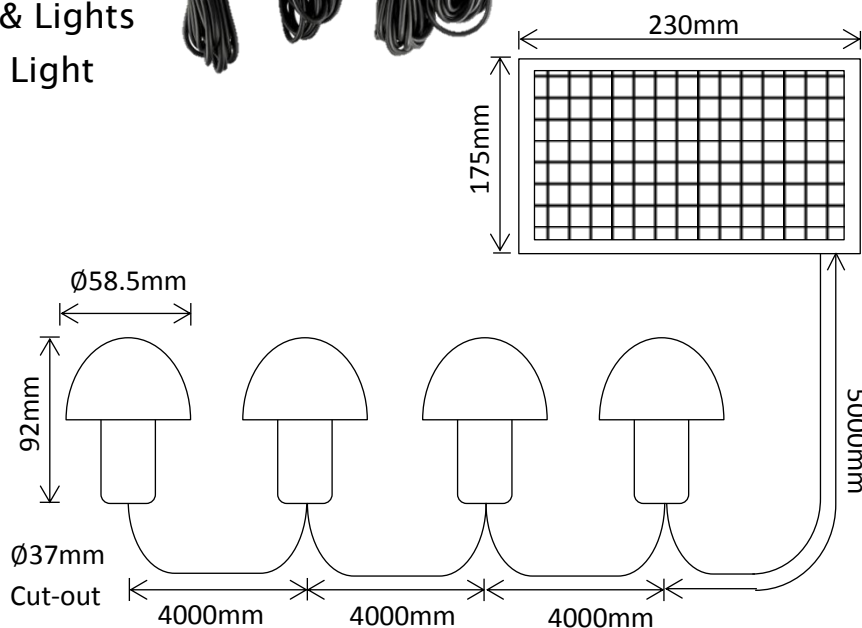
4Way Directional In-Ground Kit

Product Code	LED's	Battery	Solar Panel	IP Rating	Lumens
SLDIGK-4WW	4 x 0.75w (WW)	3.7v 2200mAh Lithium	5w Polycrystalline	Panel = 65 Lights = 67	70

Features:

- Die-Cast Aluminium Construction
- Approximately 8-10 hours Operation
- 100kg Max Walk Over Pressure
- On/Off Switch
- Recessed Mounting Position
- Moulded Cable Joining Solar Panel & Lights
- 4Way Direction Hood for increased Light Dispersion

1 Year Warranty!



Definitions:

WW = Warm White

CW = Cool White

RGB = Red, Green & Blue

Packaged Fitting Weight & Dimensions

W: 2.2kg

D: 30cm x 20cm x 12cm

Residential Range

Wall Lights

Flush Mounted Wall Light

Product Code	LED's	Battery	Solar Panel	IP Rating	Lumens
SLDWL0099A/BLK-WW	1 x 0.3w (WW) 1 x 0.7w (WW)	3.2v 500mAh Lithium	1w Polycrystalline	65	40
SLDWL0099A/SS-WW	1 x 0.3w (WW) 1 x 0.7w (WW)	3.2v 500mAh Lithium	1w Polycrystalline	65	40
SLDWL0099A/SS-CW	1 x 0.3w (CW) 1 x 0.7w (CW)	3.2v 500mAh Lithium	1w Polycrystalline	65	40

Features:

- Stainless Steel Construction
- UV-Stabilised PVC Lens
- Pyro-electric Infrared Sensor
- Approximately 8-10 hours Operation
- Self-adjusting run time on Sensor
- Flush Wall Mount Base
- SLDWL0099A/BLK-WW = Black Powder Coating

1 Year Warranty!



Definitions:

WW = Warm White

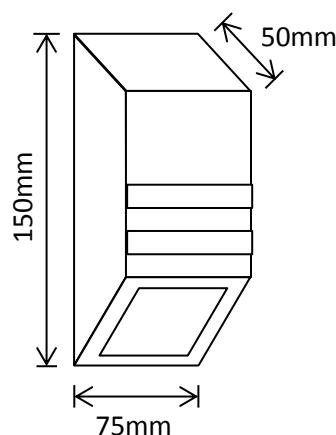
CW = Cool White

RGB = Red, Green & Blue

Packaged Fitting Weight & Dimensions

W: 0.3kg

D: 18cm x 9cm x 7cm



Residential Range

Wall Lights

Modern Wall Light

Product Code	LED's	Battery	Solar Panel	IP Rating	Lumens
SLDWL0026-PIR	12 x 0.2w (CW) 1 x 0.2w (WW)	3 x 1.2v 800mAh Ni-MH	0.6w Polycrystalline	44	350
SLDWL0027-PIR	12 x 0.2w (CW) 1 x 0.2w (WW)	3 x 1.2v 1500mAh Ni-MH	1w Polycrystalline	44	350

Features:

- Stainless Steel Construction
- UV-Stabilised PVC Lens
- Pyro-electric Infrared Sensor
- Approximately 1 minute Sensor Run Time
- Approximately 6-8 hours Operation
- Wall Mounting Bracket

1 Year Warranty!

Definitions:

WW = Warm White

CW = Cool White

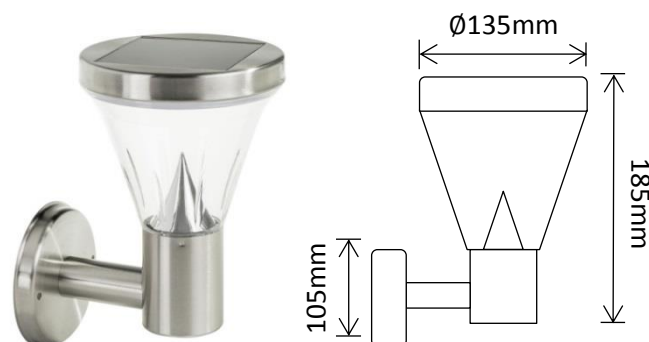
RGB = Red, Green & Blue

Packaged Fitting Weight & Dimensions

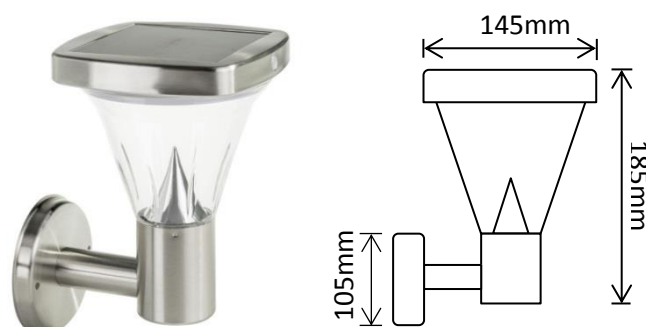
W: 0.8kg

D: 20cm x 15cm x 16cm

SLDWL0026-PIR



SLDWL0027-PIR



Residential Range

Wall Lights

Sleek Mounted Wall Light

Product Code	LED's	Battery	Solar Panel	IP Rating	Lumens
SLDWL0022/BLK-WW	21 x 0.2w (WW)	3.7v 2200mAh Lithium	2w Polycrystalline	44	200
SLDWL0022/SS-WW	21 x 0.2w (WW)	3.7v 2200mAh Lithium	2w Polycrystalline	44	200

Features:

- Pyro-electric Infrared Sensor
- Stainless Steele Construction; Black P.C. or Stainless Steel Finish
- Approximately 6-9 Hours Operation
- Flush Wall Mount Base
- 3 Operation Settings:
 - Brightness setting 1:** 40LM until sensor triggered then 150LM
 - Brightness setting 2:** Off until sensor triggered then 200LM
 - Brightness setting 3:** 30LM always on

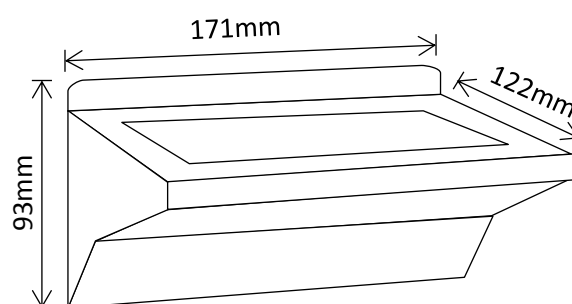
1 Year Warranty!

Definitions:

WW = Warm White

CW = Cool White

RGB = Red, Green & Blue



Packaged Fitting Weight & Dimensions

W: 0.4kg

D: 17cm x 10cm x 12cm

Residential Range

Wall Lights

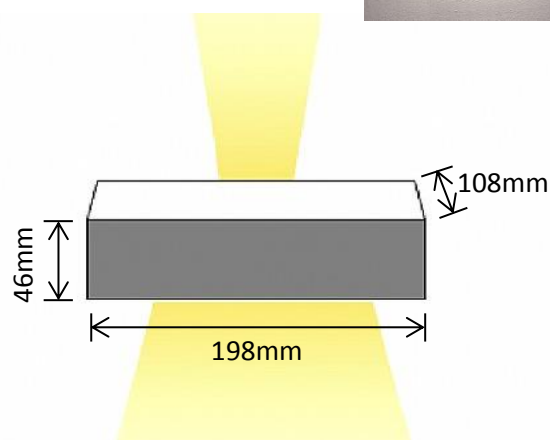
Up/Down Wall Light

Product Code	LED's	Battery	Solar Panel	IP Rating	Lumens
SLDWL228/BLK-WW	19 x 0.2w (WW)	3.7v 4400mAh Lithium	2w Polycrystalline	44	500
SLDWL228/SIL-WW	19 x 0.2w (WW)	3.7v 4400mAh Lithium	2w Polycrystalline	44	500

Features:

- Machined Aluminium Construction
- Black P.C. or Stainless Steel Finish
- Approximately 10-12 hours Operation
- Up and Down Lighting

1 Year Warranty!



Definitions:

WW = Warm White

CW = Cool White

RGB = Red, Green & Blue

Packaged Fitting Weight & Dimensions

W: 0.8kg

D: 25cm x 16cm x 7cm

Residential Range

Wall Lights

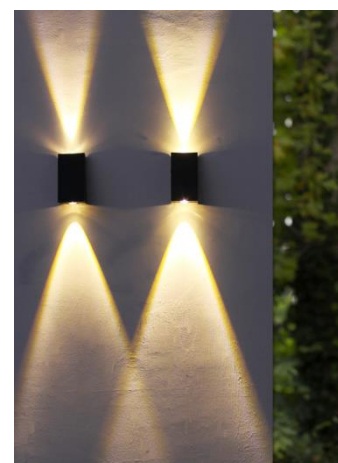
Slim Up/Down Wall Light

Product Code	LED's	Battery	Solar Panel	IP Rating	Lumens
SLDWL02/BLK-WW	2 x 1w (WW)	3.7v 2200mAh Lithium	1.3w Polycrystalline	44	100

Features:

- Machined Aluminium Construction
- High Quality Black Powder Coated Finish
- Approximately 10-12 hours Operation
- Up and Down Lighting
- Flush Wall Mount

1 Year Warranty!



Definitions:

WW = Warm White

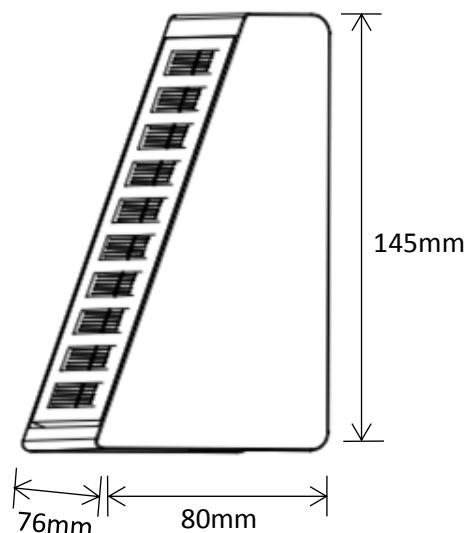
CW = Cool White

RGB = Red, Green & Blue

Packaged Fitting Weight & Dimensions

W: 1kg

D: 14cm x 8.5cm x 20.5cm



Residential Range

Wall Lights

Expansive Up/Down Wall Light

Product Code	LED's	Battery	Solar Panel	IP Rating	Lumens
SLDWL328/BLK-WW	6 x 1w (WW)	3.7v 4400mAh Lithium	2w Polycrystalline	44	300

Features:

- Machined Aluminium Construction
- High Quality Black Powder Coated Finish
- Approximately 10-12 hours Operation
- Up and Down Lighting
- Flush Wall Mount

1 Year Warranty!

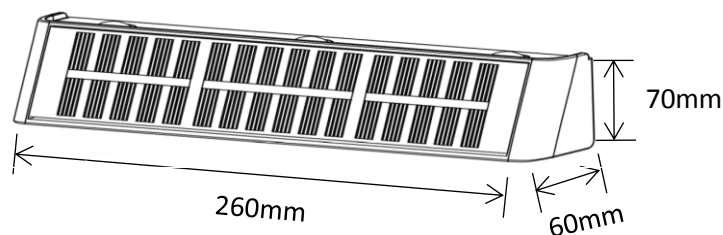


Definitions:

WW = Warm White

CW = Cool White

RGB = Red, Green & Blue



Packaged Fitting Weight & Dimensions

W: 1kg

D: 29cm x 10.5cm x 8.5cm

Residential Range

Wall Lights

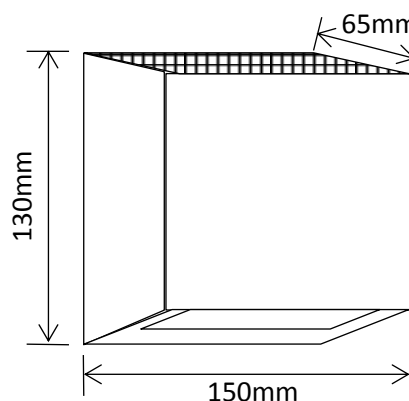
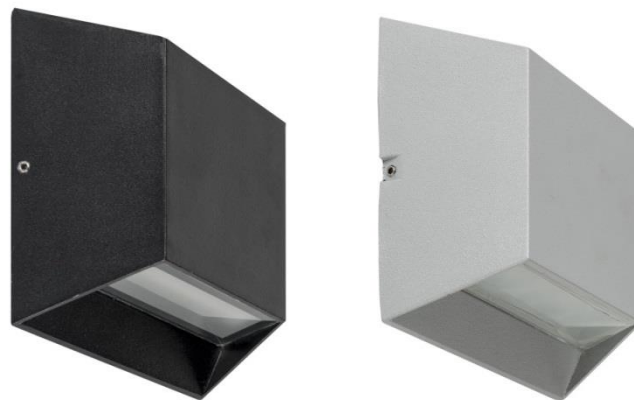
Wall Light

Product Code	LED's	Battery	Solar Panel	IP Rating	Lumens
SLDWL01 /BLK-WW	10 x 0.75w (WW)	3.7v 2200mAh Lithium	0.8w Polycrystalline	65	60
SLDWL01 /SIL-WW	10 x 0.75w (WW)	3.7v 2200mAh Lithium	0.8w Polycrystalline	65	60

Features:

- Die Cast Aluminium Body
- High Quality Black Powder Coating or Silver Powder Coating Finish
- Approximately 10-12 hours Operation
- Flush Wall Mount

1 Year Warranty!



Definitions:

WW = Warm White

CW = Cool White

RGB = Red, Green & Blue

Packaged Fitting Weight & Dimensions

W: 0.6kg

D: 15cm x 15cm x 7cm

Residential Range

Wall Lights

Traditional Wall Light

Product Code	LED's	Battery	Solar Panel	IP Rating	Lumens
SLDWL0012A-PIR	18 x 0.2w (CW) 1 x @0.2w (WW)	3.7v 2200mAh Lithium	2.4w Polycrystalline	44	200
SLDWL0009A-PIR	18 x 0.2w (CW) 1 x @0.2w (WW)	3.7v 2200mAh Lithium	2.4w Polycrystalline	44	200

Features:

- Pyro-electric Infrared Sensor
- Aluminium Alloy Construction
- Manual Over-ride on Sensor
- Approximately 6-8 hours Operation
- Approximately 1 minute Sensor duration
- Wall Mounting Bracket
- Glass Lampshade Panels
- Black P.C. Finish

SLDWL0012A-PIR



1 Year Warranty!

Definitions:

WW = Warm White

CW = Cool White

RGB = Red, Green & Blue

Packaged Fitting Weight & Dimensions

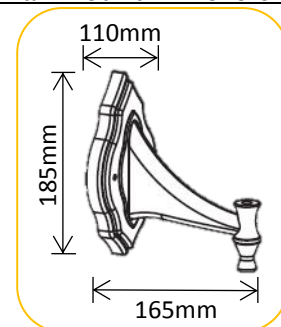
W: 3kg

D: 31cm x 31cm x 48cm

SLDWL0009A-PIR



Wall Mount Dimensions



Residential Range

Wall Lights

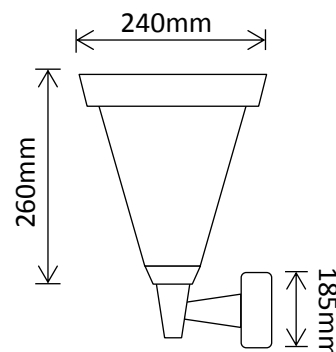
Traditional Wall Light

Product Code	LED's	Battery	Solar Panel	IP Rating	Lumens
SLDWL0018A-PIR	30 x 0.2w (CW) 1 x @0.2w (WW)	3.7v 4400mAh Lithium	4w Polycrystalline	44	350
SLDWL0008A-PIR	30 x 0.2w (CW) 1 x @0.2w (WW)	3.7v 4400mAh Lithium	4w Polycrystalline	44	350

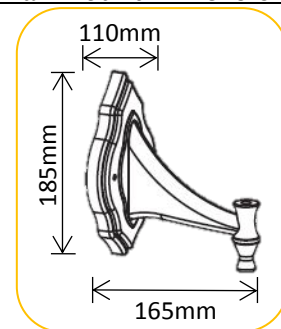
Features:

- Pyro-electric Infrared Sensor
- Aluminium Alloy Construction
- Manual Over-ride on Sensor
- Approximately 6-8 hours Operation
- Approximately 1 minute Sensor duration
- Wall Mounting Bracket
- Glass Lampshade Panels
- Black P.C. Finish

SLDWL0018A-PIR

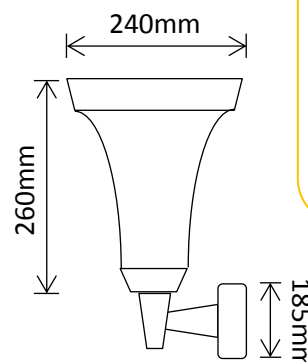


Wall Mount Dimensions



1 Year Warranty!

SLDWL0008A-PIR



Definitions:

WW = Warm White

CW = Cool White

RGB = Red, Green & Blue

Packaged Fitting Weight & Dimensions

W: 3.3kg

D: 35cm x 33cm x 32.5cm

Residential Range

Wall Lights

Traditional Wall Light

Product Code	LED's	Battery	Solar Panel	IP Rating	Lumens
SLDWL0007A-PIR	30 x 0.2w (CW) 1 x @0.2w (WW)	3.7v 4400mAh Lithium	3w Polycrystalline	44	350

Features:

- Pyro-electric Infrared Sensor
- Aluminium Alloy Construction
- Manual Over-ride on Sensor
- Approximately 6-8 hours Operation
- Approximately 1 minute Sensor duration
- Wall Mounting Bracket
- Glass Lampshade Panels
- Black P.C. Finish



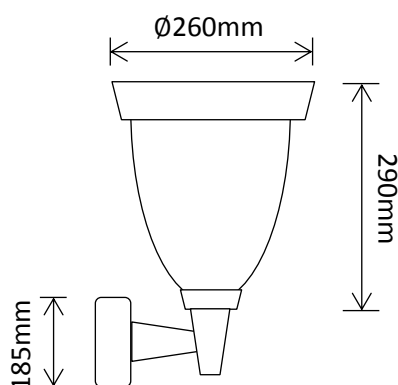
1 Year Warranty!

Definitions:

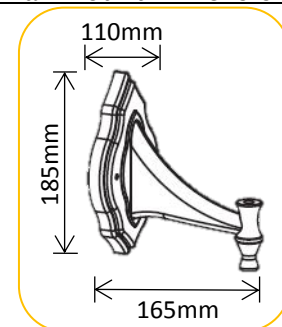
WW = Warm White

CW = Cool White

RGB = Red, Green & Blue



Wall Mount Dimensions



Packaged Fitting Weight & Dimensions

W: 3.3kg

D: 33cm x 32cm x 38cm

Residential Range

Bollard Lights

Bollard Light with Sensor

Product Code	LED's	Battery	Solar Panel	IP Rating	Lumens
SLDBL0026-PIR	12 x 0.2w (CW) 1 x 0.2w (WW)	3 x 1.2v 800mAh Ni-MH	0.6w Polycrystalline	44	350
SLDBL0027-PIR	12 x 0.2w (CW) 1 x 0.2w (WW)	3 x 1.2v 1500mAh Ni-MH	1w Polycrystalline	44	350

Features:

- Pyro-electric Infrared Sensor
- Stainless Steel Construction
- Approximately 6-8 hours Operation
- Approximately 1 minute Sensor Run Time
- UV-Stabilised PVC Lens
- Spike & Surface Mount Option with Stainless Steel Trim

1 Year Warranty!

Definitions:

WW = Warm White

CW = Cool White

RGB = Red, Green & Blue

Packaged Fitting Weight & Dimensions

W: 0.9kg

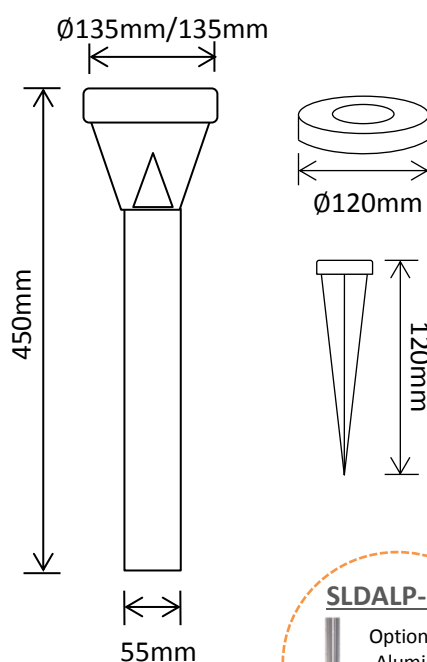
D: 48cm x 15cm x 16cm



SLDBL0026-PIR
(Round Head)



SLDBL0027-PIR
(Square Head)



Residential Range

Bollard Lights

Bollard Light

Product Code	LED's	Battery	Solar Panel	IP Rating	Lumens
SLDBL0093-CW	12 x 0.2w (CW)	6.4v 1400mAh Lithium	3w Polycrystalline	44	50-200
SLDBL0094-CW	12 x 0.2w (CW)	3.7v 4400mAh Lithium	2w Polycrystalline	44	200

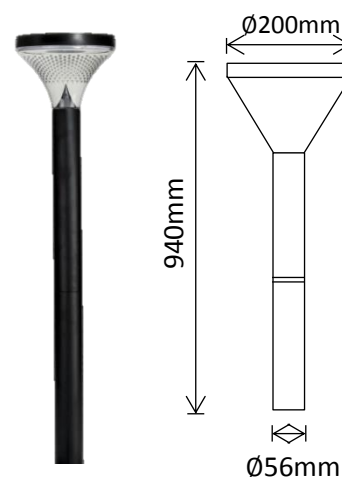
Features:

- UV Stabilized Poly-Carbonate Construction
- UV-Stabilized PVC Lens
- Surface Mounted
- SLDBL0093-CW =
 - o 4 x Brightness Settings
 - o Approximately 6-8 hours Operation
- SLDBL0094-CW =
 - o 1 x Brightness Setting
 - o Approximately 6-8 hours Operation

SLDBL0093-CW (Square Head)



SLDBL0094-CW (Round Head)



1 Year Warranty!

Definitions:

WW = Warm White

CW = Cool White

RGB = Red, Green & Blue

Packaged Fitting Weight & Dimensions

W: 1.6kg

D: 39cm x 24cm x 21cm

SLDALP-100

Optional 1m Aluminium Extension post to suit SLDBL0094-CW only.

Residential Range

Bollard Lights

2 Pack Bollard Light

Product Code	LED's (Per Bollard)	Battery (Per Bollard)	Solar Panel (Per Bollard)	IP Rating	Lumens (Per Bollard)
SLDBL0026B-WW	4 x 0.2w (WW)	1.2v 1500mAh Ni-MH	0.6w Polycrystalline	44	20

Features:

- UV Stabilized Poly-Carbonate Construction
- Approximately 8-10 hours Operation
- Spike or Surface Mounted
- UV-Stabilised PVC Lens
- 2 Lights per package

1 Year Warranty!



Definitions:

WW = Warm White

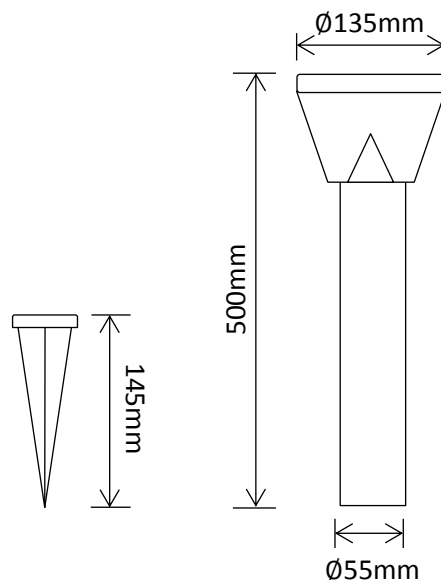
CW = Cool White

RGB = Red, Green & Blue

Packaged Fitting Weight & Dimensions

W: 1.2kg

D: 53cm x 32cm x 15cm



Residential Range

Bollard Lights

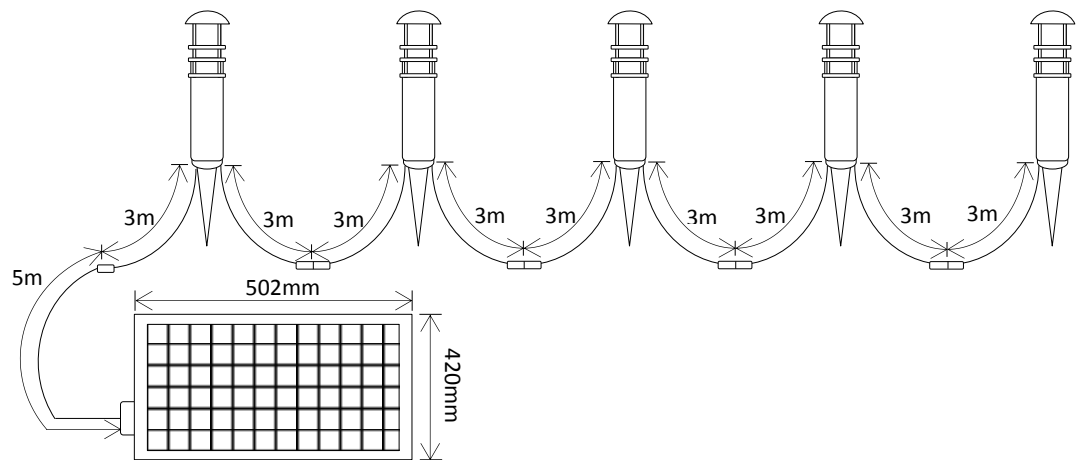
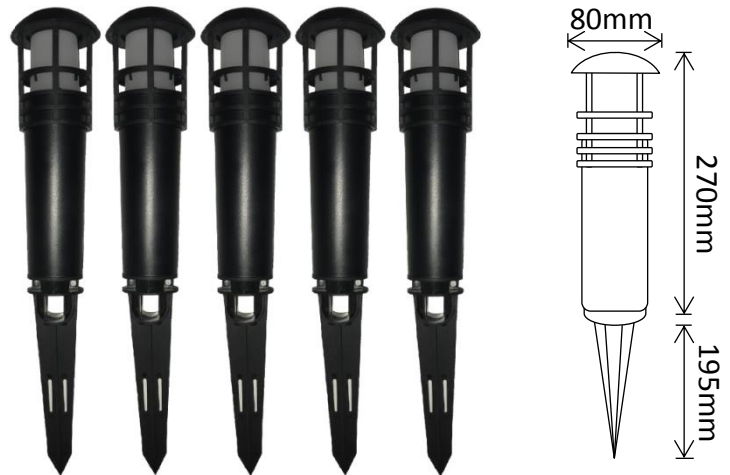
Bollard Light Kit

Product Code	LED's (Per Bollard)	Battery	Solar Panel	IP Rating	Lumens (Per Bollard)
SLDBLK-5	1 x 3w (WW)	12.8v 12000mAh Lithium	30w Polycrystalline	65	140

Features:

- High Quality Moulded Polycarbonate Construction
- Approximately 6-8 hours Operation
- Spike Mounted base

1 Year Warranty!



Definitions:

WW = Warm White

CW = Cool White

RGB = Red, Green & Blue

Packaged Fitting Weight & Dimensions

W: 7.7kg

D: 54cm x 43cm x 17cm

Residential Range

Bollard Lights

2 in 1 Bollard to Post Light

Product Code	LED's	Battery	Solar Panel	IP Rating	Lumens
SLDBLP006/BLK-DC	36 x 0.2w (Dual Colour)	6.4v 4500mAh Lithium	4w Polycrystalline	65	250

Features:

- High Quality Machined Aluminium
- High Quality Black Power Coating
- Approximately 6-8 hours Operation
- Two height options
- Surface Mounted base

1 Year Warranty!

What's included...



Definitions:

WW = Warm White

CW = Cool White

RGB = Red, Green & Blue

Packaged Fitting Weight & Dimensions

W: 5.7kg

D: 114cm x 32cm x 32cm



Residential Range

Post Lights

Single Post Light

Product Code	LED's	Battery	Solar Panel	IP Rating	Lumens
SLDPL0012A-PIR	18 x 0.2w (CW) 1 x 0.2w (WW)	3.7v 2200mAh Lithium	2.4w Polycrystalline	44	200
SLDPL0009A-PIR	18 x 0.2w (CW) 1 x 0.2w (WW)	3.7v 2200mAh Lithium	2.4w Polycrystalline	44	200

Features:

- Aluminium Alloy Construction
- High Quality Black Powder Coating
- Pyro-electric Infrared Sensor
- Manual Over-ride on Sensor
- Approximately 1 minute Sensor Run Time
- Approximately 6-8 hours Operation
- Glass Lampshade Panels
- Decorative Aluminium Post & Mounting Base

1 Year Warranty!

Definitions:

WW = Warm White

CW = Cool White

RGB = Red, Green & Blue

Packaged Fitting Weight & Dimensions

W: 4.8kg

D: 38cm x 31cm x 62.5cm

SLDPL0012A-PIR



SLDPL0009A-PIR



Residential Range

Post Lights

Single Post Light

Product Code	LED's	Battery	Solar Panel	IP Rating	Lumens
SLDPL0018A-PIR	30 x 0.2w (CW) 1 x 0.2w (WW)	3.7v 4400mAh Lithium	4w Polycrystalline	44	350
SLDPL0008A-PIR	30 x 0.2w (CW) 1 x 0.2w (WW)	3.7v 4400mAh Lithium	4w Polycrystalline	44	350

Features:

- Aluminium Alloy Construction
- High Quality Black Powder Coating
- Pyro-electric Infrared Sensor
- Manual Over-ride on Sensor
- Approximately 1 minute Sensor Run Time
- Approximately 6-8 hours Operation
- Glass Lampshade Panels
- Decorative Aluminium Post & Mounting Base

1 Year Warranty!

Definitions:

WW = Warm White

CW = Cool White

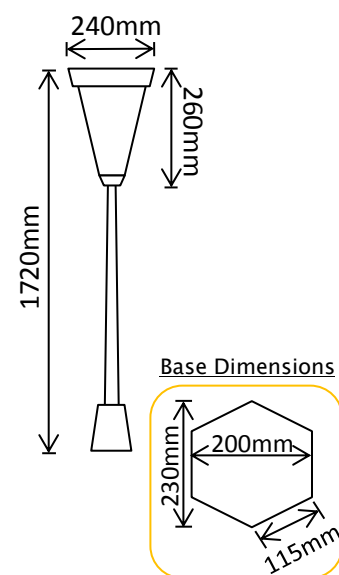
RGB = Red, Green & Blue

Packaged Fitting Weight & Dimensions

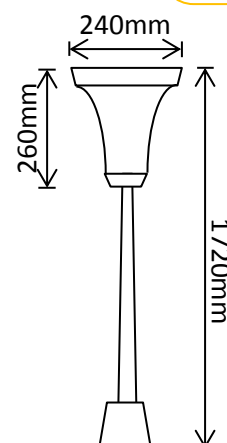
W: 5.4kg

D: 37cm x 32cm x 62cm

SLDPL0018A-PIR



SLDPL0008A-PIR



Post Lights

Single Post Light

Product Code	LED's	Battery	Solar Panel	IP Rating	Lumens
SLDPL0007A-PIR	30 x 0.2w (CW) 1 x 0.2w (WW)	3.7v 4400mAh Lithium	3w Polycrystalline	44	350

Features:

- Aluminium Alloy Construction
- High Quality Black Powder Coating
- Pyro-electric Infrared Sensor
- Manual Over-ride on Sensor
- Approximately 1 minute Sensor Run Time
- Approximately 6-8 hours Operation
- Glass Lampshade Panels
- Decorative Aluminium Post & Mounting Base

1 Year Warranty!

Definitions:

WW = Warm White

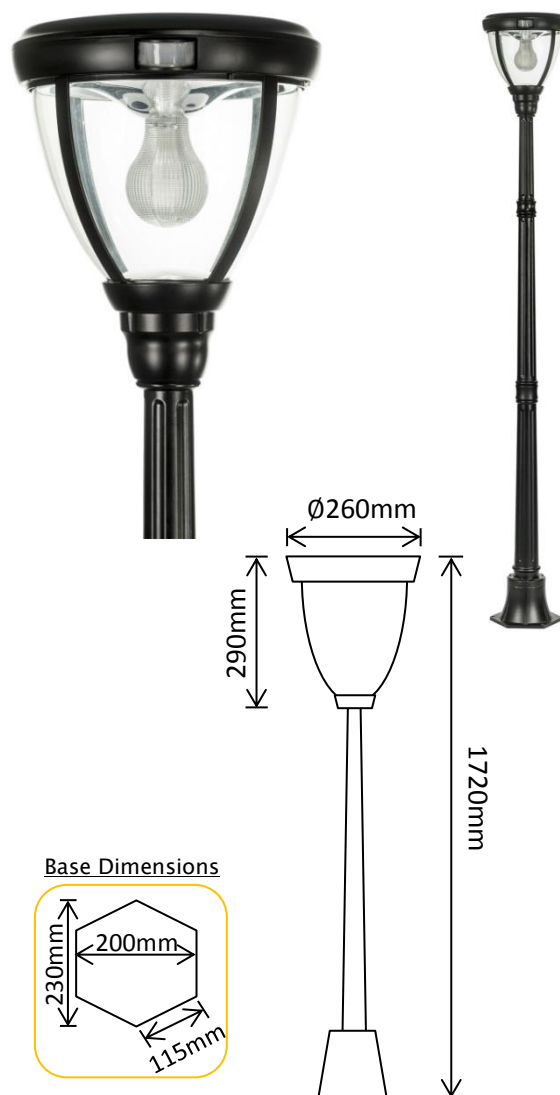
CW = Cool White

RGB = Red, Green & Blue

Packaged Fitting Weight & Dimensions

W: 5.3kg

D: 37cm x 32cm x 62cm



Residential Range

Post Lights

Double Post Light

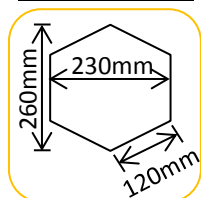
Product Code	LED's (Per Light Head)	Battery (Per Light Head)	Solar Panel	IP Rating	Lumens
SLDPL0012B	18 x 0.2w (CW) 1 x 0.2w (WW)	3.7v 2200mAh Lithium	2.4w Polycrystalline	44	200
SLDPL0009B	18 x 0.2w (CW) 1 x 0.2w (WW)	3.7v 2200mAh Lithium	2.4w Polycrystalline	44	200

Features:

- Aluminium Alloy Construction
- High Quality Black Powder Coating
- Glass Lampshade
- High/Low Setting
- Approximately 6-8 hours Operation
- Decorative Aluminium Post & Mounting Base

1 Year Warranty!

Base Dimensions



SLDPL0012B



SLDPL0009B



Definitions:

WW = Warm White

CW = Cool White

RGB = Red, Green & Blue

Packaged Fitting Weight & Dimensions

W: 10.9kg

D: 77cm x 73cm x 32cm

Residential Range

Post Lights

Double Post Light

Product Code	LED's (Per Light Head)	Battery (Per Light Head)	Solar Panel	IP Rating	Lumens
SLDPL0018B	30 x 0.2w (CW) 1 x 0.2w (WW)	3.7v 4400mAh Lithium	4w Polycrystalline	44	350
SLDPL0008B	30 x 0.2w (CW) 1 x 0.2w (WW)	3.7v 4400mAh Lithium	4w Polycrystalline	44	350

Features:

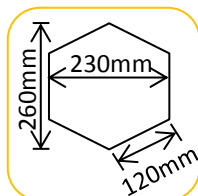
- Aluminium Alloy Construction
- High Quality Black Powder Coating
- Glass Lampshade
- High/Low Setting
- Approximately 6-8 hours Operation
- Decorative Aluminium Post & Mounting Base

SLDPL0018B



1 Year Warranty!

Base Dimensions



SLDPL0008B



Definitions:

- WW = Warm White
- CW = Cool White
- RGB = Red, Green & Blue

Packaged Fitting Weight & Dimensions

- W: 11.6kg
- D: 73cm x 73cm x 16cm

Residential Range

Post Lights

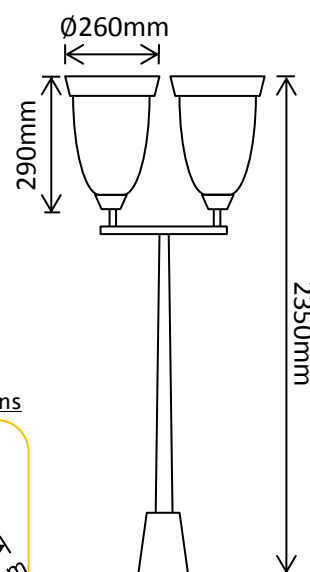
Double Post Light

Product Code	LED's (Per Light Head)	Battery (Per Light Head)	Solar Panel	IP Rating	Lumens
SLDPL0007B	30 x 0.2w (CW) 1 x 0.2w (WW)	3.7v 4400mAh Lithium	3w Polycrystalline	44	350

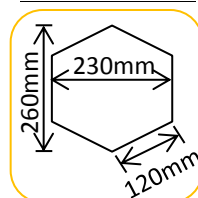
Features:

- Aluminium Alloy Construction
- High Quality Black Powder Coating
- Glass Lampshade
- High/Low Setting
- Approximately 6-8 hours Operation
- Decorative Aluminium Post & Mounting Base

1 Year Warranty!



Base Dimensions



Definitions:

WW = Warm White

CW = Cool White

RGB = Red, Green & Blue

Packaged Fitting Weight & Dimensions

W: 11.6kg

D: 74cm x 73cm x 33cm

Residential Range

Post Lights

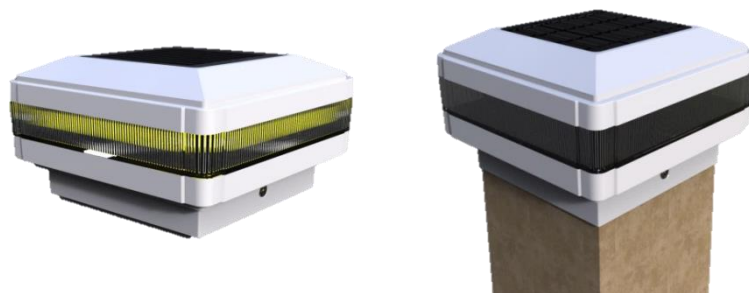
Post Top – FTYP (Fit to Your Post)

Product Code	LED's	Battery	Solar Panel	IP Rating	Lumens
SLDPT3W/BLK-WW	1 x 3w (WW)	3.7v 2200mAh Lithium	1.2w Polycrystalline	65	150
SLDPT3W/WHT-CW	1 x 3w (CW)	3.7v 2200mAh Lithium	1.2w Polycrystalline	65	150

Features:

- ABS Resin Construction
- Approximately 8–10 hours Operation
- Includes fixing bracket for posts/poles smaller than 97mm
- Colour – Black or White

1 Year Warranty!



Definitions:

WW = Warm White

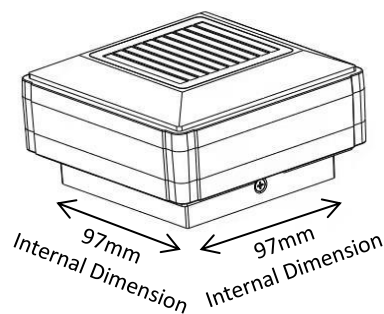
CW = Cool White

RGB = Red, Green & Blue

Packaged Fitting Weight & Dimensions

W: 0.4kg

D: 14cm x 14cm x 8cm



Residential Range

Pillar Lights

Traditional Pillar Light

Product Code	LED's	Battery	Solar Panel	IP Rating	Lumens
SLDPIL0012A-PIR	18 x 0.2w (CW) 1 x 0.2w (WW)	3.7v 2200mAh Lithium	2.4w Polycrystalline	44	200
SLDPIL0009A-PIR	18 x 0.2w (CW) 1 x 0.2w (WW)	3.7v 2200mAh Lithium	2.4w Polycrystalline	44	200

Features:

- Aluminium Alloy Construction
- High Quality Black Powder Coating
- Pyro-electric Infrared Sensor
- Manual Over-ride on Sensor
- Approximately 1 minute Sensor Run Time
- Approximately 6-8 hours Operation
- Decorative Surface Mounted Base
- Glass Lampshade Panels

1 Year Warranty!

Definitions:

WW = Warm White

CW = Cool White

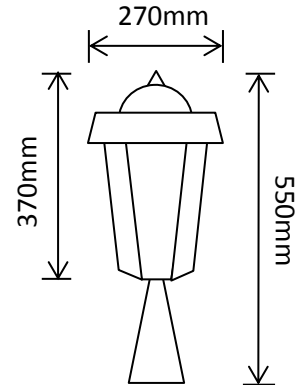
RGB = Red, Green & Blue

Packaged Fitting Weight & Dimensions

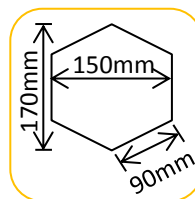
W: 3kg

D: 31cm x 31cm x 48cm

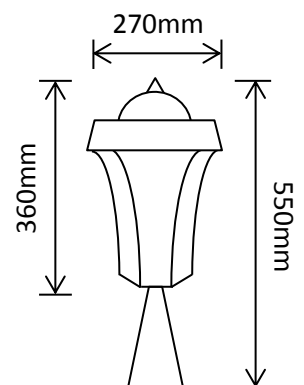
SLDPIL0012A-PIR



Base Dimensions



SLDPIL0009A-PIR



Residential Range

Pillar Lights

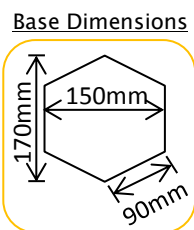
Traditional Pillar Light

Product Code	LED's	Battery	Solar Panel	IP Rating	Lumens
SLDPIL0018A-PIR	30 x 0.2w (CW) 1 x 0.2w (WW)	3.7v 4400mAh Lithium	4w Polycrystalline	44	350
SLDPIL0008A-PIR	30 x 0.2w (CW) 1 x 0.2w (WW)	3.7v 4400mAh Lithium	4w Polycrystalline	44	350

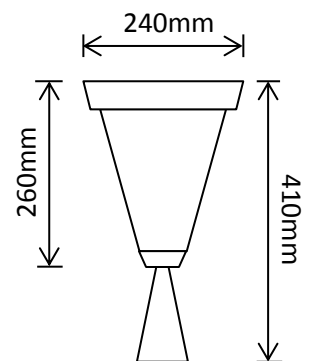
Features:

- Aluminium Alloy Construction
- High Quality Black Powder Coating
- Pyro-electric Infrared Sensor
- Manual Over-ride on Sensor
- Approximately 1 minute Sensor Run T
- Approximately 6-8 hours Operation
- Decorative Surface Mounted Base
- Glass Lampshade Panels

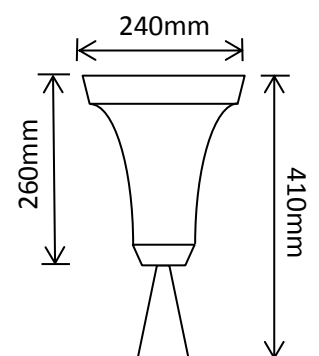
1 Year Warranty!



SLDPIL0018A-PIR



SLDPIL0008A-PIR



Definitions:

WW = Warm White

CW = Cool White

RGB = Red, Green & Blue

Packaged Fitting Weight & Dimensions

W: 3.3kg

D: 35cm x 33cm x 32.5cm

Residential Range

Pillar Lights

Traditional Pillar Light

Product Code	LED's	Battery	Solar Panel	IP Rating	Lumens
SLDPIL0007A-PIR	30 x 0.2w (CW) 1 x 0.2w (WW)	3.7v 4400mAh Lithium	3w Polycrystalline	44	350

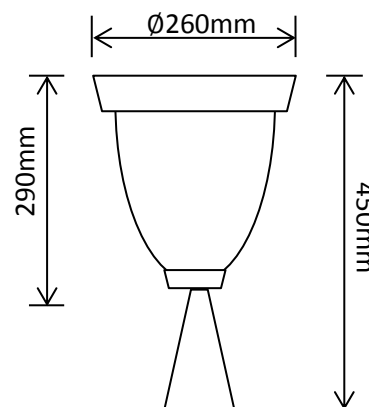
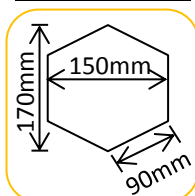
Features:

- Aluminium Alloy Construction
- High Quality Black Powder Coating
- Pyro-electric Infrared Sensor
- Manual Over-ride on Sensor
- Approximately 1 minute Sensor Run Time
- Approximately 6-8 hours Operation
- Decorative Surface Mounted Base
- Glass Lampshade Panels



1 Year Warranty!

Base Dimensions



Definitions:

WW = Warm White

CW = Cool White

RGB = Red, Green & Blue

Packaged Fitting Weight & Dimensions

W: 3.3kg

D: 33cm x 32cm x 38cm

Residential Range

Flood Lights

Flood Light with Motion Sensor

Product Code	LED's	Battery	Solar Panel	IP Rating	Lumens
SLDFL0004C-WW	20 x 0.2w (WW)	3.7v 2200mAh Lithium	2.5w Polycrystalline	44	550
SLDFL0004C-CW	20 x 0.2w (CW)	3.7v 2200mAh Lithium	2.5w Polycrystalline	44	550

Features:

- UV Stabilized ABS Resin Body
- Pyro-electric Infrared Sensor
- Sensitivity Adjustable
- Time Adjustable
- 180 Degree Sensor Adjustment
- 360 Degree Light Adjustment
- Approximately 4-6 hours Operation
- Wall Mounting Bracket
- Colour - Black

1 Year Warranty!

Definitions:

WW = Warm White

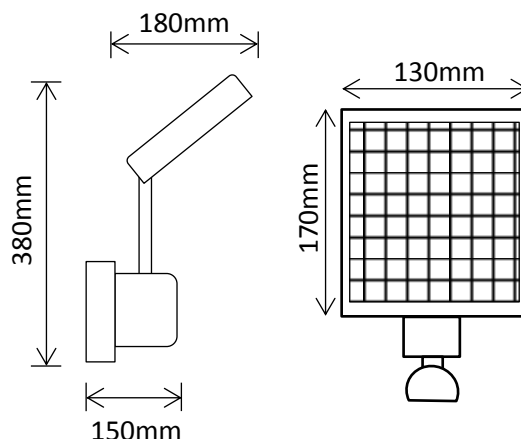
CW = Cool White

RGB = Red, Green & Blue

Packaged Fitting Weight & Dimensions

W: 1.5kg

D: 24cm x 23cm x 22cm



Residential Range

Flood Lights

Flood Light with Motion Sensor

Product Code	LED's	Battery	Solar Panel	IP Rating	Lumens
SLDFL25W-PIR-CW	2 x 5W (CW)	12v 5200mAh	15w Polycrystalline	65	500

Features:

- Die Cast Aluminium Construction
- High Quality Black Powder Coating
- Remote Control Operation
- Pyro-electric Infrared Sensor
- Sensitivity Adjustable
- Time Adjustable
- 180 Degree Sensor Adjustment
- 360 Degree Light Adjustment
- Approximately 6-8 hours Operation
- Wall Mounting Bracket



1 Year Warranty!

Definitions:

WW = Warm White

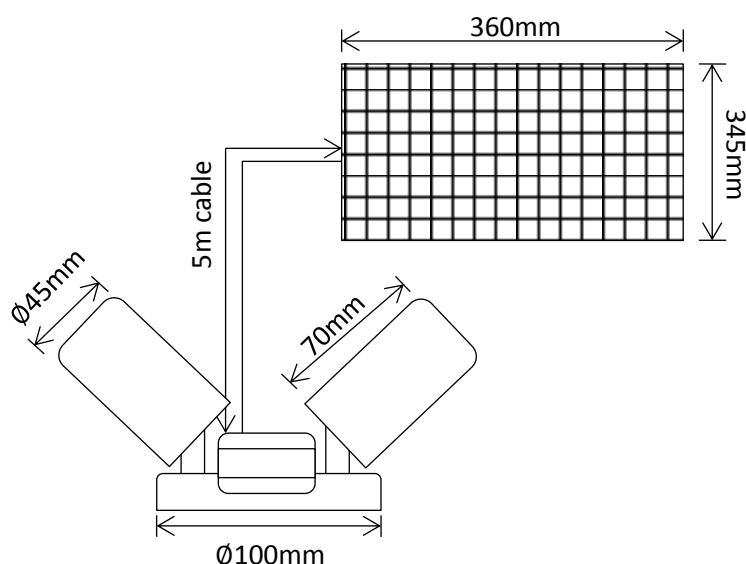
CW = Cool White

RGB = Red, Green & Blue

Packaged Fitting Weight & Dimensions

W: 4.8kg

D: 47cm x 37cm x 20cm



Residential Range

Flood Lights

Flood Light with IP Camera

Product Code	LED's	Battery	Solar Panel	IP Rating	Lumens
SLDFL007/BLK-WW	10w Panel (WW)	3.7v 8800mAh Lithium	20w Polycrystalline	65	1000
SLDFL007/WHT-WW	10w Panel (WW)	3.7v 8800mAh Lithium	20w Polycrystalline	65	1000

Features:

- UV Stabilized Polycarbonate Construction
- Microwave Motion Sensor Range: 10m
- 120° Rotatable Design
- Day/Night Operation
- Internet Protocol (IP) with Wi-Fi
- 3 Mega Pixel Camera
- 24/7 Recording Capability
- In-House Storage → 32GB TF Card
- Smart Phone Connectivity via APP

1 Year Warranty!

3 Modes of Operation:

- **Mode 1:** Operate at 25% brightness until motion is detected, then run for approx. 30 secs at 100% brightness or until no further movement is detected
- **Mode 2:** OFF until motion is detected, then run for approx. 30 secs at 100% or until no further movement is detected
- **Mode 3:** Operate at 50% brightness from dusk to dawn or until battery is discharged (Sensor Bypass Mode)

Packaged Fitting Weight & Dimensions

W: 2.9kg

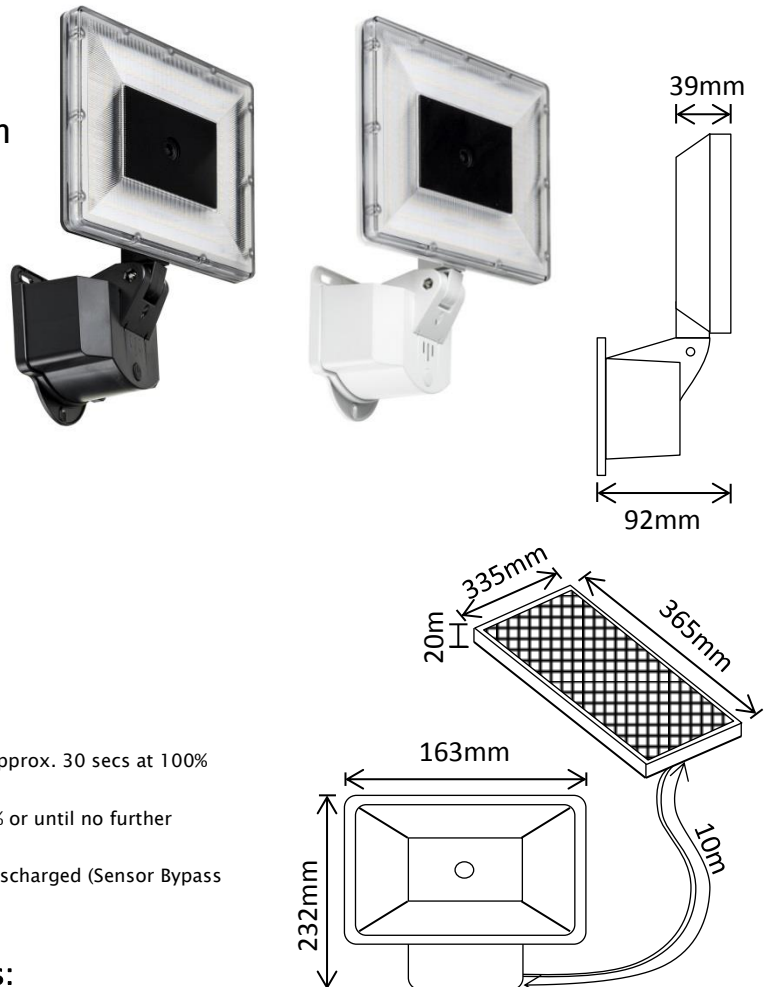
D: 36cm x 36cm x 15cm

Definitions:

WW = Warm White

CW = Cool White

RGB = Red, Green & Blue



Residential Range

Garden Spot Lights

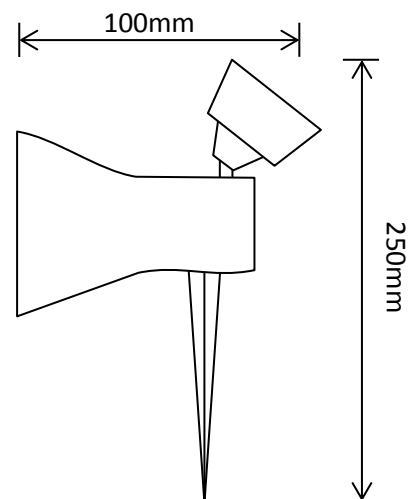
Garden Spot Light

Product Code	LED's	Battery	Solar Panel	IP Rating	Lumens
SLDGS0052	9 x 0.2w (WW)	1.2v 1500mAh Ni-MH	0.5w Polycrystalline	44	60

Features:

- ABS Resin Construction - Black
- On/Off Switch
- High/Low Brightness Setting
- Approximately 6-8 hours Operation
- Adjustable Solar Panel
- Spike or Surface Mount Option

1 Year Warranty!



Definitions:

WW = Warm White

CW = Cool White

RGB = Red, Green & Blue

Packaged Fitting Weight & Dimensions

W: 0.3kg

D: 13cm x 13cm x 18cm

Residential Range

Garden Spot Lights

High Output Garden Spot Light

Product Code	LED's	Battery	Solar Panel	IP Rating	Lumens
SLDGS0053-WW	4 x 0.5w (WW)	3.7v 2200mAh Lithium	1.5w Polycrystalline	44	80/200
SLDGS0053-CW	4 x 0.5w (CW)	3.7v 2200mAh Lithium	1.5w Polycrystalline	44	80/200
SLDGS0053-RGB	4 x 0.5w (RGB)	3.7v 2200mAh Lithium	1.5w Polycrystalline	44	80/200

Features:

- ABS Resin Construction - Black
- On/Off Switch
- High/Low Brightness Setting
- Approximately 6-8 hours Operation
- Adjustable Solar Panel
- Spike or Surface Mount Option
- SLDGS0053-RGB cycles between 7 Pre-set colours

1 Year Warranty!

Definitions:

WW = Warm White

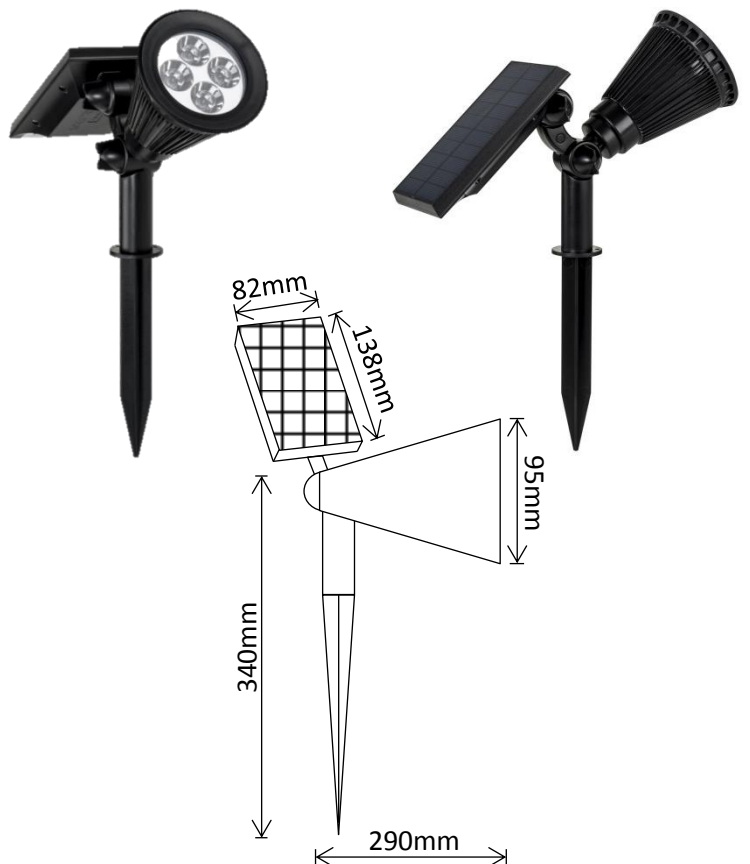
CW = Cool White

RGB = Red, Green & Blue

Packaged Fitting Weight & Dimensions

W: 0.4kg

D: 20cm x 16cm x 10cm



Residential Range

Garden Spot Lights

Garden Spot Light Kit

Product Code	LED's (Per Spot Light)	Battery	Solar Panel	IP Rating	Lumens (Per Spot Light)
SLDGSK0054	9 x 0.2w (WW)	3 x 1.2v 1000mAh Ni-MH	1w Polycrystalline	44	60

Features:

- Approximately 6-8 hours Operation
- Spike or Surface Mount Option
- On/Off Switch

Kit Includes:

- 3 x Garden Spots - 4.1 m of cable per light
- 1 x Remote Solar Panel with Battery
- 3 x Spikes
- 3 x Surface Mounted Brackets

1 Year Warranty!

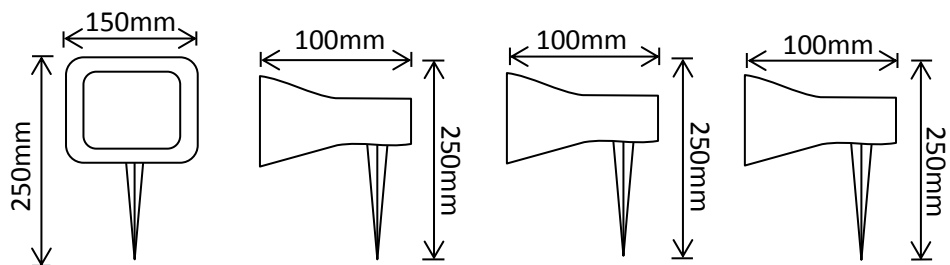


Definitions:

WW = Warm White

CW = Cool White

RGB = Red, Green & Blue



Packaged Fitting Weight & Dimensions

W: 1.3kg

D: 21cm x 21cm x 20cm

Garden Spot Lights

High Output Garden Spot Light Kit

Product Code	LED's (Per Spot Light)	Battery	Solar Panel	IP Rating	Lumens (Per Spot Light)
SLDGSK0055	1 x 5w (CW)	12v 10000mAh Lithium	20w Polycrystalline	65	500

Features:

- Die-cast Aluminium Body
- Approximately 6-8 hours Operation
- 30 Degree Beam Angle
- Spike Mounting

Kit Includes:

- 3 x Hi-Output 5w Garden Spots with Spike & 5m of cable per light
- 1 x Remote Solar Panel with Battery
- 1 x 3-way Splitter and Accessories
- Colour filters

1 Year Warranty!



Definitions:

WW = Warm White

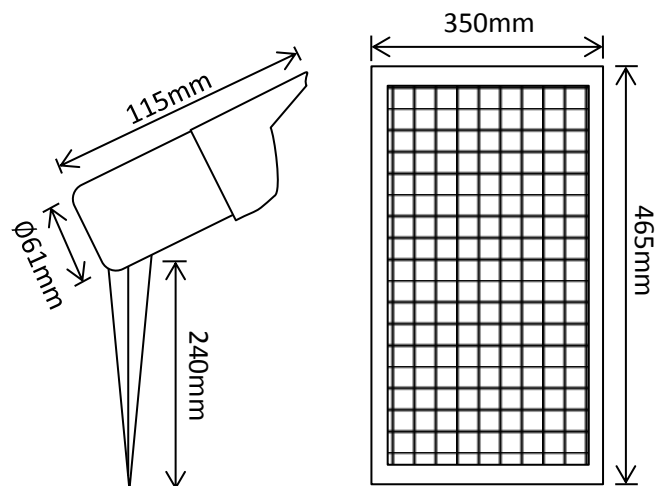
CW = Cool White

RGB = Red, Green & Blue

Packaged Fitting Weight & Dimensions

W: 5.1kg

D: 51cm x 39cm x 13cm



Illuminated House Number

Illuminated House Number

Product Code	LED's	Battery	Solar Panel	IP Rating	Lumens
SLDIHN1 /SS-WW	3 x 0.6w (WW)	1.2v 1200mAh NiMH	0.3w Polycrystalline	44	100
SLDIHN1 /SS-CW	3 x 0.6w (CW)	1.2v 1200mAh NiMH	0.3w Polycrystalline	44	100
SLDIHN1 /BLK-WW	3 x 0.6w (WW)	1.2v 1200mAh NiMH	0.3w Polycrystalline	44	100

Features:

- Stainless Steel Construction
- SLDIHN1 /BLK-WW = High Quality Black Powder Coating Finish
- Approximately 8-10 hours Operation
- Flush Wall Mount
- Supplied with 3 x numerical sets of 0-9 & 1 x Alphabet set of A-F Vinyl Stickers

1 Year Warranty!

Definitions:

WW = Warm White

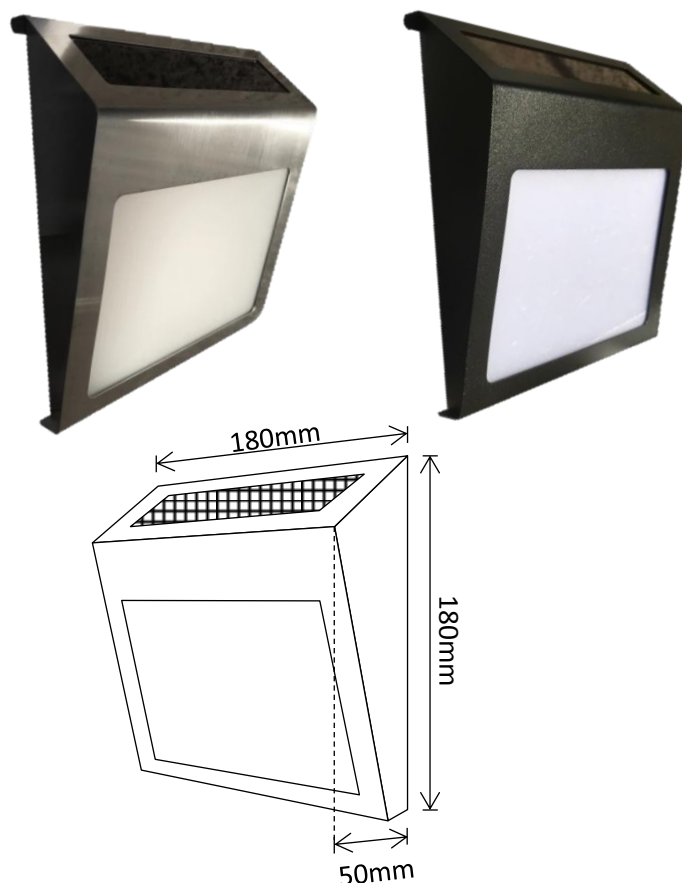
CW = Cool White

RGB = Red, Green & Blue

Packaged Fitting Weight & Dimensions

W: 0.4kg

D: 20cm x 20cm x 6cm



Residential Range

Multi-Purpose Lights

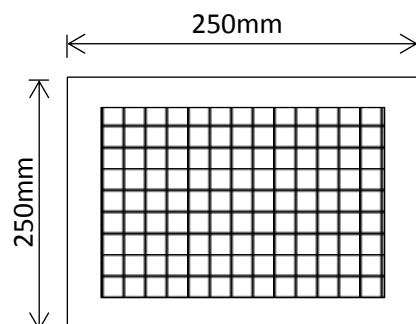
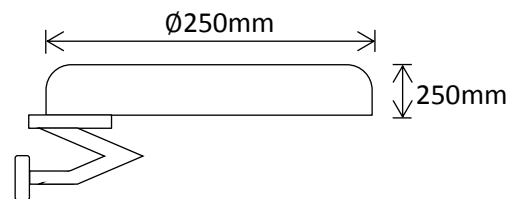
Multi-Purpose Light w/ Piezo Alarm

Product Code	LED's	Battery	Solar Panel	IP Rating	Lumens
SLDMP008-PIR	56 x 0.1w (CW)	3.7v 4400mAh Lithium	3w Polycrystalline & 5w Polycrystalline	65	N/A

Features:

- ABS Resin Body
- Pyro-electric Infrared Sensor
- Remote controlled sensor modes
- Sensor Triggered Piezoelectric alarm
- Rotatable head design
- Approximately 6-8 hours Operation
- Flush Wall Mount

1 Year Warranty!



Definitions:

WW = Warm White

CW = Cool White

RGB = Red, Green & Blue

Packaged Fitting Weight & Dimensions

W: 1.4kg

D: 24.5cm x 21cm x 9cm

Camping Lanterns

Bluetooth Camping Lantern

Product Code	LED's	Battery	Solar Panel	IP Rating	Lumens
SLDL0813-BT	3 x 1w (CW) 1 x 1w (RGB)	3.2v 5500mAh	3w Polycrystalline	20	20-100

Features:

- PMMA Construction
- Integrated Bluetooth Speaker
- Approximately 6-8 hours Operation
- 5v USB Output for charging devices
- Detached Solar Panel for optimal charging
- 3 different Lighting Modes:
 - 100% Brightness - 100lm @ 1 metre
 - 50% Brightness - 20lm @ 1 metre
 - Cycling RGB: 30lm @ 1 metre



1 Year Warranty!

Definitions:

WW = Warm White

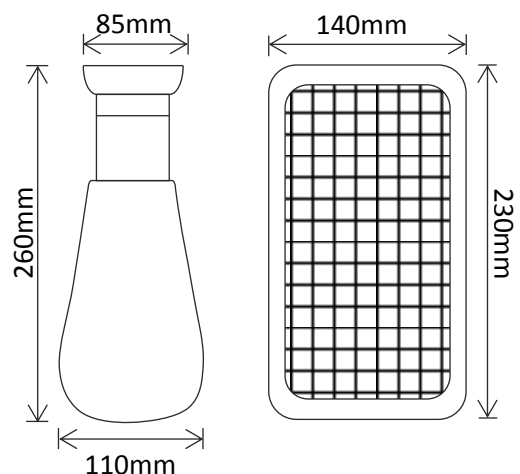
CW = Cool White

RGB = Red, Green & Blue

Packaged Fitting Weight & Dimensions

W: 1kg

D: 15cm x 15cm x 24.5cm



Camping Lanterns

Camping Lantern w/ USB Output

Product Code	LED's	Battery	Solar Panel	IP Rating	Lumens
SLDL2279	72 x 5000K CCT (CW)	3.7v 4000mAh	3w Polycrystalline	44	200

Features:

- On/Off Switch
- Durable ABS Construction
- UV-Stabilised PVC Lens
- Approximately 8-10 hours Operation
- Adjustable Handle with Hook
- 3m connection cable on Solar Panel
- 2 charging options - Solar & 240v Mains
- 5.5v USB output for Charging of Devices
- Colour - Blue with Stainless Steel Features

1 Year Warranty!



Definitions:

WW = Warm White

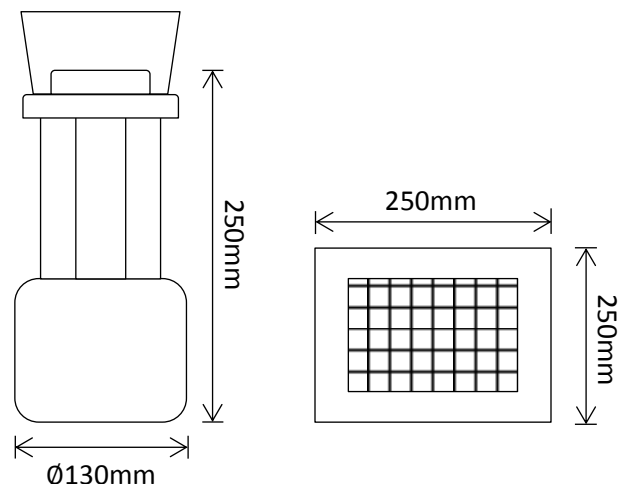
CW = Cool White

RGB = Red, Green & Blue

Packaged Fitting Weight & Dimensions

W: 1.4kg

D: 18.5cm x 17.5cm x 28cm



Camping Lanterns

Camping Lantern

Product Code	LED's	Battery	Solar Panel	IP Rating	Lumens
SLDL2271A/BLUE	9 x Super Bright (CW)	3.2v 1400mAh Lithium	4v Polycrystalline	44	N/A
SLDL2271A/RED	9 x Super Bright (CW)	3.2v 1400mAh Lithium	4v Polycrystalline	44	N/A

Features:

- Durable ABS Construction
- UV-Stabilized PVC Lens
- Built in Extendable Solar Panel
- Approximately 6-8 hours Operation
- Adjustable Handle
- On/Off Switch
- Colour: Blue or Red

1 Year Warranty!



Definitions:

WW = Warm White

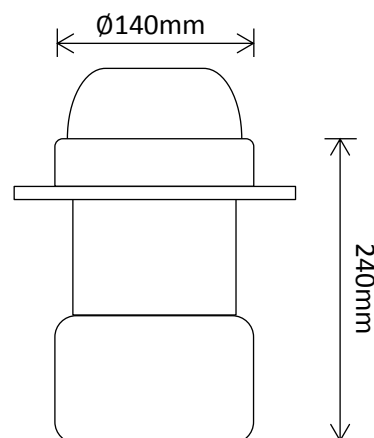
CW = Cool White

RGB = Red, Green & Blue

Packaged Fitting Weight & Dimensions

W: 0.4kg

D: 12.5cm x 13cm x 16.5cm



Residential Range

Bud Light Kits

LED Bud Light Kits

Product Code	LED's	Battery	Solar Panel	IP Rating	Lumens
SLDBLK-100 (B, R, G, RGB, CW & WW)	100 x 0.1w	1.2v 1200mAh NiMH	2v 0.4w	44	N/A
SLDBLK-300 (B, R, G, RGB, CW & WW)	300 x 0.1w	3 x 1.2v 1200mAh NiMH	5.5v 0.4w	44	N/A
SLDBLK-500 (R, G, RGB, CW & WW)	500 x 0.1w	3 x 1.2v 1200mAh NiMH	5.5v 0.4w	44	N/A

Features:

- Approximately 8-10 hours Operation
- Mode Selection Switch for "Flash" or "Constant On" options
- Cable Colour - Transparent
- Spike or Surface Mounting Option for Remote Solar Panel
- Colours Available - Blue, Green, Red, CW, WW or RGB



1 Year Warranty!

Definitions:

WW = Warm White

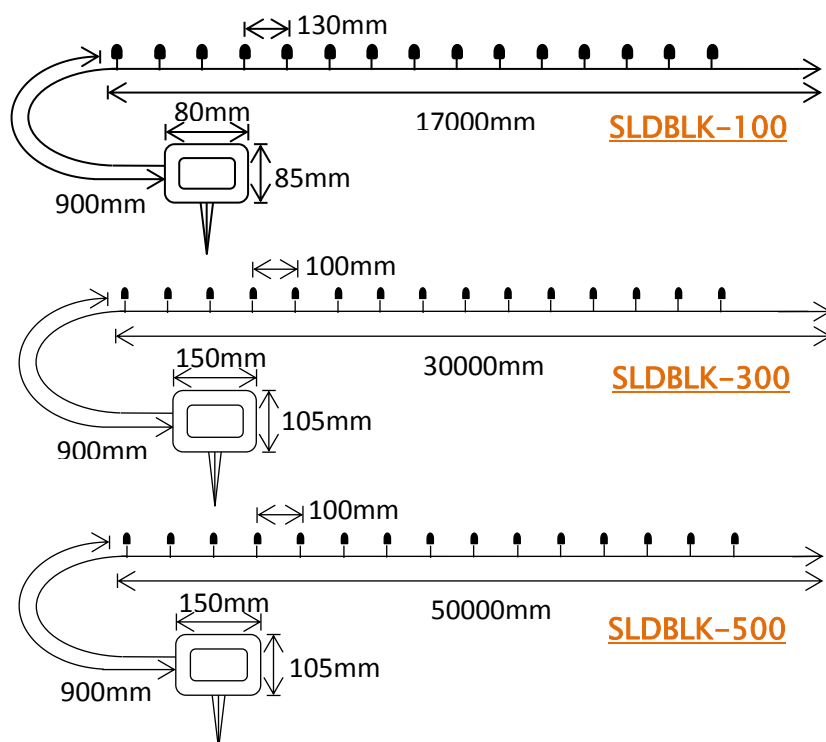
CW = Cool White

RGB = Red, Green & Blue

Packaged Fitting Weight & Dimensions

W: 0.9kg

D: 20cm x 16cm x 10cm



Residential Range

Meteor Lights

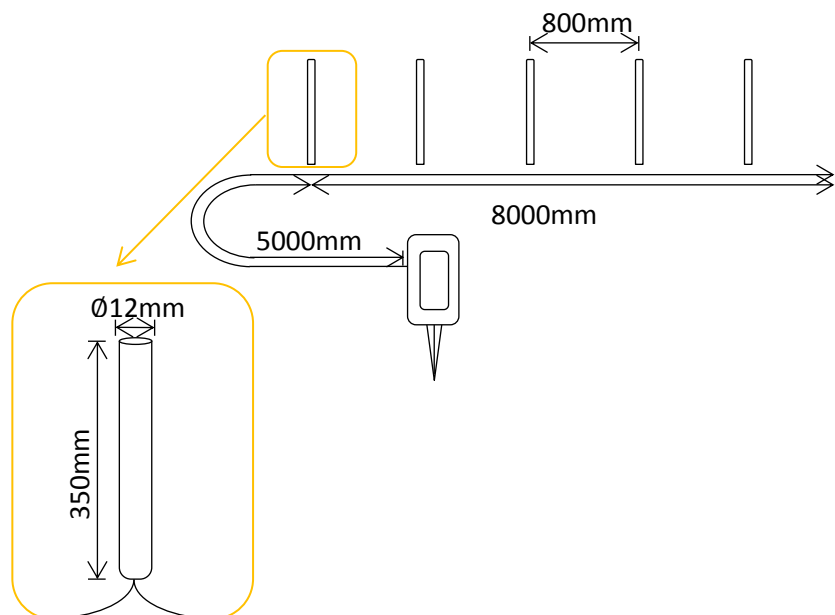
Meteor Lights

Product Code	LED's (Per Meteor Tube)	Battery	Solar Panel	IP Rating	Lumens
SLDML-36W	36 x 0.1w (CW)	3.7v 2200mAh Lithium	5v 2w	65	N/A
SLDML-36WW	36 x 0.1w (WW)	3.7v 2200mAh Lithium	5v 2w	65	N/A
SLDML-36RGB	36 x 0.1w (RGB)	3.7v 2200mAh Lithium	5v 2w	65	N/A

Features:

- 10 Meteor tubes per kit
- ABS and Polycarbonate Construction
- Approximately 8-10 hours Operation
- Cable Colour - Transparent
- Spike or Surface Mount option for remote Solar Panel

1 Year Warranty!



Definitions:

WW = Warm White

CW = Cool White

RGB = Red, Green & Blue

Packaged Fitting Weight & Dimensions

W: 0.5kg

D: 38cm x 10cm x 6cm

Residential Range

Festoon Lights

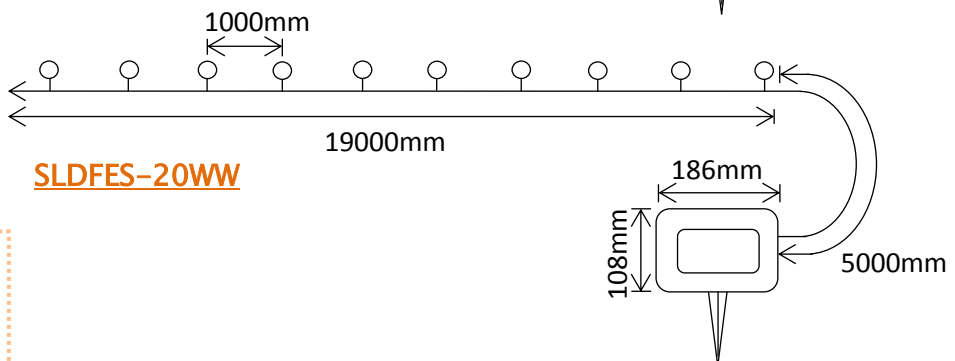
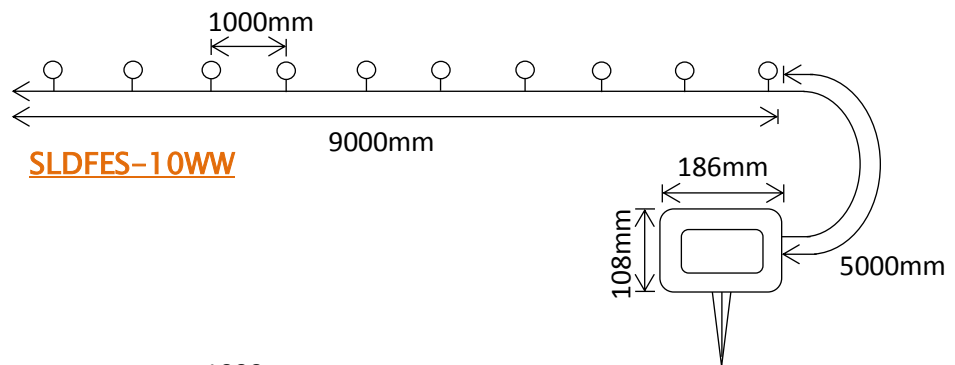
Festoon Lights

Product Code	LED's	Battery	Solar Panel	IP Rating	Lumens (Per Bulb)
SLDFES-10WW	10 x 0.2w G45-E27 Filament (WW)	2 x 3.7v 1800mAh Lithium	5.5v 2.8w	65	20
SLDFES-20WW	20 x 0.2w G45-E27 Filament (WW)	2 x 3.7v 1800mAh Lithium	5.5v 2.8w	65	20

Features:

- Approximately 8-10 hours Operation
- 1 x Spare Bulb Included per kit
- 4 x Pre-set Operation Modes
- Cable Colour - Black
- Optional Charging via 5v USB Port

1 Year Warranty!



Definitions:

WW = Warm White

CW = Cool White

RGB = Red, Green & Blue

Packaged Fitting Weight & Dimensions

W: 3.2kg

D: 49cm x 31cm x 11cm

Residential Range

Festoon Lights

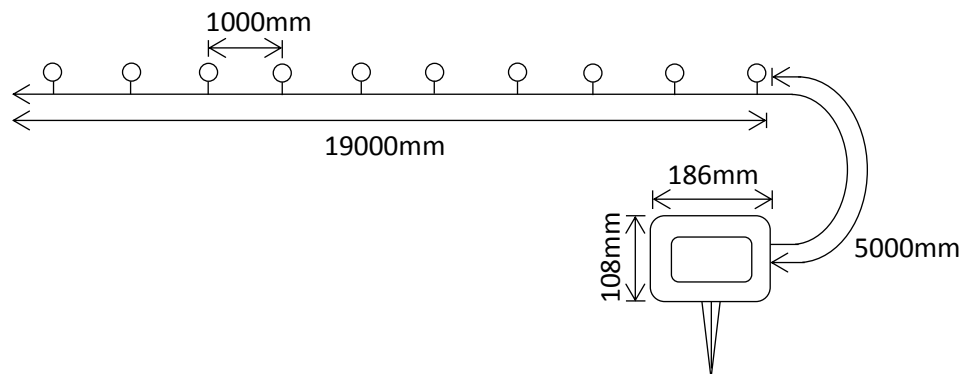
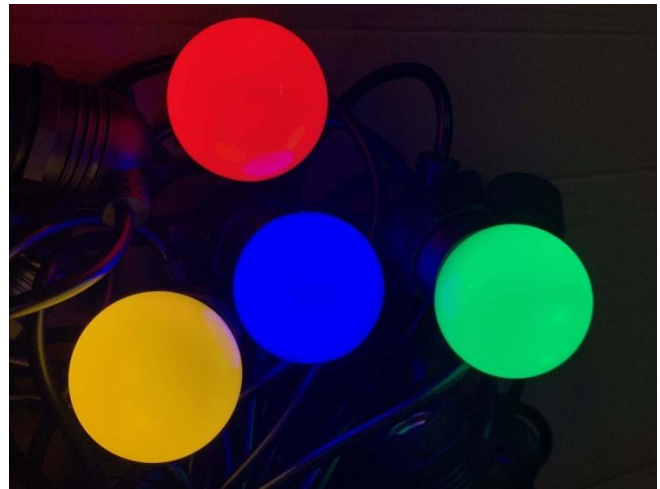
Festoon Lights

Product Code	LED's	Battery	Solar Panel	IP Rating	Lumens (Per Bulb)
SLDFES-20CLD	20 x 0.2w G45-E27 Filament	2 x 3.7v 1800mAh Lithium	5.5v 2.8w	65	20

Features:

- Approximately 8-10 hours Operation
- 24 x LED bulbs per kit, including 1 spare per colour, (6 x Red, 6 x Blue, 6 x Green, 6 x Yellow)
- 4 x Pre-set Operation Modes
- Cable Colour - Black
- Optional Charging via 5v USB Port

1 Year Warranty!



Definitions:

WW = Warm White

CW = Cool White

RGB = Red, Green & Blue

Packaged Fitting Weight & Dimensions

W: 3.1kg

D: 49.5cm x 31cm x 11.5cm

Residential Range

Strip Lights

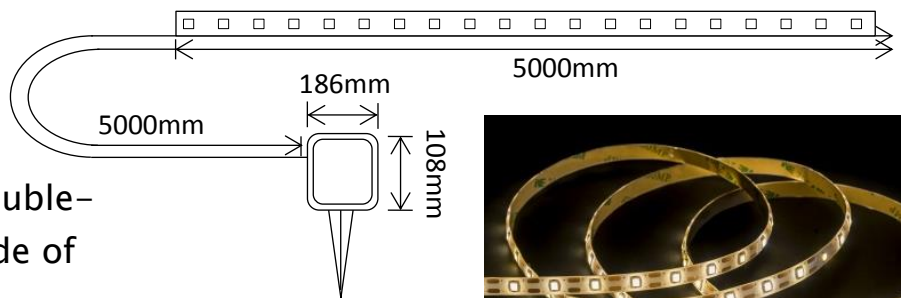
LED Strip Lights

Product Code	LED's	Battery	Solar Panel	IP Rating	Lumens
SLDSTRIP-WW	150 x 2.4w (WW)	2 x 3.7v 1800mAh Lithium	5.5v 2.8w	65	N/A
SLDSTRIP-RGB	90 x 2.1w (RGB)	1.2v 1800mAh Lithium	5.5v 2.8w	65	N/A

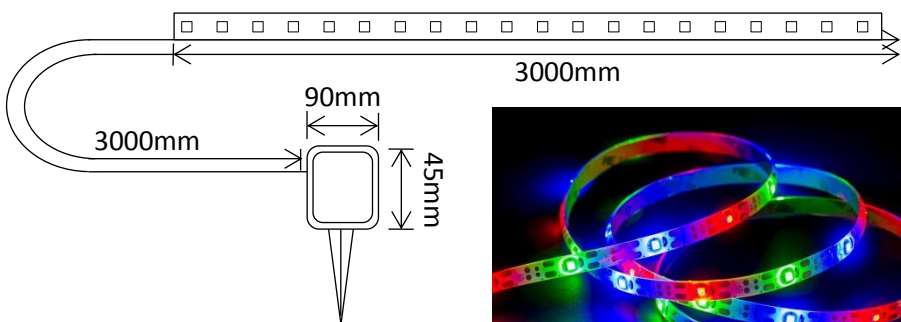
Features:

- Approximately 6-8 hours Operation
- Anti UV and Waterproof double-sided adhesive on underside of strip
- SLDSTRIP-WW = 4 Pre-Set Modes
- SLDSTRIP-RGB = 8 Pre-Set Modes

1 Year Warranty!



SLDSTRIP-WW



SLDSTRIP-RGB



Definitions:

WW = Warm White

CW = Cool White

RGB = Red, Green & Blue

Packaged Fitting Weight & Dimensions

W: 0.7kg

D: 24cm x 16cm x 9cm

Portable Lighting System

10W PLS with Bluetooth, Radio & Lights

Product Code	LED's	Battery	Solar Panel	IP Rating	Lumens
SLDPLSFM10W	2 x Built in Lights 3 x 5w Bulbs	6v 4000mAh Lead Acid	9v 3w Polycrystalline	20	N/A

Features:

- FM, MP3 & Bluetooth with Speaker (2-4 hours speaker using time)
- 3 x LED Bulb Lights with 3m cable (Individually Switched)
- 2 x Built in lights; 1 x Torch & 1 x Multipurpose Light
- 1 x Mains charging cable
- 1 x 3way device charging cable
- Approximately 10-12 hours Operation (When using 2+ lights)
- 5v USB output for charging devices



1 Year Warranty!

Definitions:

WW = Warm White

CW = Cool White

RGB = Red, Green & Blue

Packaged Fitting Weight & Dimensions

W: 1.8kg

D: 26cm x 10cm x 21cm



Residential Range

Sky Lights

6w Sky Light

Product Code	LED's	Battery	Solar Panel	IP Rating	Lumens
SLDSKY-6W	30 x 0.2w (WW)	7.4v 3000mAh Lithium	5w Polycrystalline	Panel = 65 Control Box = 44 Light = 20	500

Features:

- Aluminium & PMMA Body
- Approximately 6-8 hours Operation
- "True Skylight" Operation
- Microwave Motion Sensor
- Day/Night Sensor

1 Year Warranty!



Definitions:

WW = Warm White

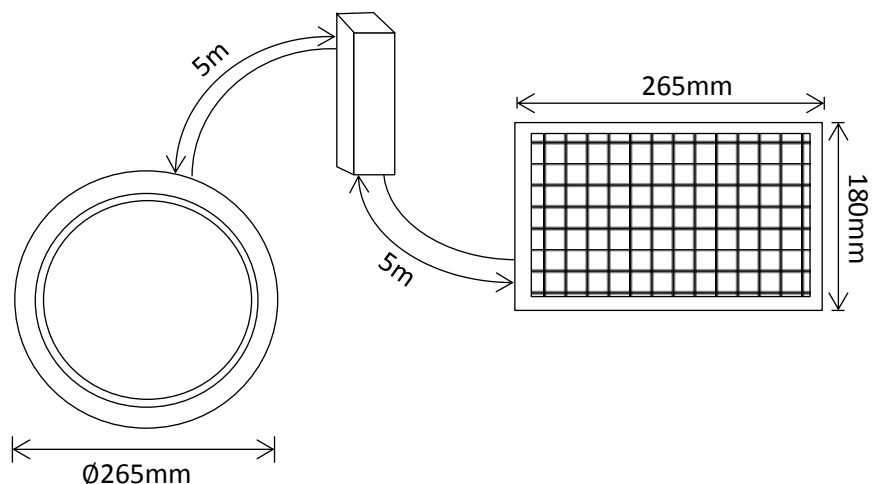
CW = Cool White

RGB = Red, Green & Blue

Packaged Fitting Weight & Dimensions

W: 2kg

D: 28cm x 28cm x 16.5cm



Commercial Range

Flood Lights

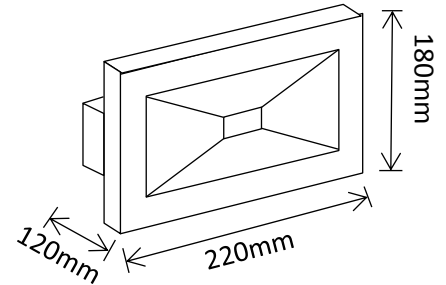
10W Flood Light

Product Code	LED's	Battery	Solar Panel	IP Rating	Lumens
SLDFL10W-DC	5730 SMD (Dual Colour)	7.4v 7.8Ah Lithium	N/A	65	700 (CW) 750 (WW)

Features:

- Die Cast Aluminium – Body
- Tempered Safety Glass
- RF Remote Control Operation
- Wall Mounting Bracket
- 5m Connection Cable
- Brightness Adjustable
- LED Selector Switch

2 Year Warranty!



Definitions:

WW = Warm White

CW = Cool White

RGB = Red, Green & Blue

Dual = WW & CW

Packaged Fitting Weight & Dimensions

W: 1.9kg

D: 24cm x 21cm x 15cm

Solar Panel Required			
No. of lights connected	SLDSP30	SLDSP60	SLDSP100
1	✓		
2	✓		
3		✓	
4		✓	
5			✓
6			✓

*Please reference page 83 for further Solar Panel information

Commercial Range

Flood Lights

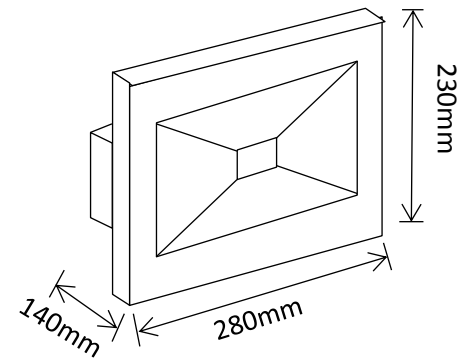
30W Flood Light

Product Code	LED's	Battery	Solar Panel	IP Rating	Lumens
SLDFL30W-DC	5730 SMD (Dual Colour)	7.4v 21Ah Lithium	N/A	65	2250 (CW) 2200 (WW)

Features:

- Die Cast Aluminium – Body
- Tempered Safety Glass
- RF Remote Control Operation
- Wall Mounting Bracket
- 5m Connection Cable
- Brightness Adjustable
- LED Selector Switch

2 Year Warranty!



Definitions:

WW = Warm White

CW = Cool White

RGB = Red, Green & Blue

Dual = WW & CW

Packaged Fitting Weight & Dimensions

W: 3.6kg

D: 29cm x 27cm x 16cm

Solar Panel Required		
No. of lights connected	SLDSP60	SLDSP100
1	✓	
2		✓

*Please reference page 83 for further Solar Panel information

Commercial Range

Flood Lights

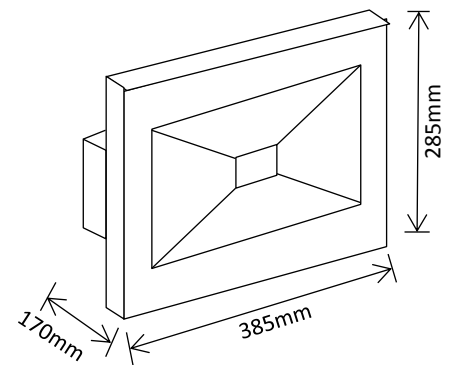
50W Flood Light

Product Code	LED's	Battery	Solar Panel	IP Rating	Lumens
SLDFL50W-DC	5730 SMD (Dual Colour)	12v 30Ah Lithium	N/A	65	5000 (CW) 5500 (WW)

Features:

- Die Cast Aluminium – Body
- Tempered Safety Glass
- RF Remote Control Operation
- Wall Mounting Bracket
- 5m Connection Cable
- Brightness Adjustable
- LED Selector Switch

2 Year Warranty!



Definitions:

WW = Warm White

CW = Cool White

RGB = Red, Green & Blue

Dual = WW & CW

Packaged Fitting Weight & Dimensions

W: 5.6kg

D: 40cm x 31cm x 22.5cm

Solar Panel Required	
No. of lights connected	SLDSP100
1	✓

*Please reference page 83 for further Solar Panel information

Commercial Range

Bollard Lights

Commercial Bollard Light

Product Code	LED's	Battery	Solar Panel	IP Rating	Lumens
SLDBL2602/BLK-DC	36 x 0.1w (Dual Colour)	6.4v 4500mAh Lithium	4w Polycrystalline	65	250
SLDBL2602/SS-DC	36 x 0.1w (Dual Colour)	6.4v 4500mAh Lithium	4w Polycrystalline	65	250

Features:

- Approximately 8-10 hours Operation
- 304 Stainless Steel Construction
- Glass Lens
- Strength & Durability Rating: IK06
- Surface Mounted Base
- LED Selector Switch

2 Year Warranty!

Definitions:

WW = Warm White

CW = Cool White

RGB = Red, Green & Blue

Dual = WW & CW



Packaged Fitting Weight & Dimensions

W: 4.8kg

D: 83.5cm x 32cm x 31cm

Commercial Range

Bollard Lights

Commercial Bollard Light

Product Code	LED's	Battery	Solar Panel	IP Rating	Lumens
SLDBL007/BLK-DC	36 x 0.1w (Dual Colour)	6.4v 4500mAh Lithium	4w Polycrystalline	65	250
SLDBL007/SS-DC	36 x 0.1w (Dual Colour)	6.4v 4500mAh Lithium	4w Polycrystalline	65	250
SLDBL007/AL-DC	36 x 0.1w (Dual Colour)	6.4v 4500mAh Lithium	4w Polycrystalline	65	250

Features:

- Approximately 8–10 hours Operation
- Polycarbonate Lens
- SLDBL007/BLK & SLDBL007/SS: 304 Stainless Steel Construction
- SLDBL007/AL: High Quality Extruded Aluminium (Excludes Base Flange)
- Strength & Durability Rating: IK06
- Surface Mounted Base
- LED Selector Switch

2 Year Warranty!



Packaged Fitting Weight & Dimensions

W: 4kg
D: 84cm x 32cm x 31cm

Definitions:

WW = Warm White
CW = Cool White
RGB = Red, Green & Blue
Dual = WW & CW

Commercial Range

Bollard Lights

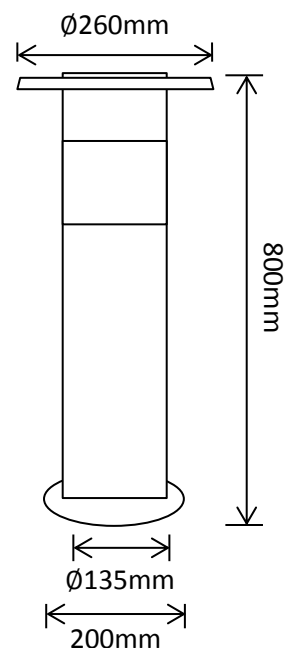
Commercial Bollard Light

Product Code	LED's	Battery	Solar Panel	IP Rating	Lumens
SLDBL002/BLK-DC	12 x 0.1w (Dual Colour)	6.4v 4500mAh Lithium	2.5w Polycrystalline	65	200

Features:

- Approximately 8-10 hours Operation
- Die Cast Aluminium Construction
- High Quality Black Powder Coating
- Polycarbonate Lens
- Surface Mounted Base
- LED Selector Switch

2 Year Warranty!



Definitions:

WW = Warm White

CW = Cool White

RGB = Red, Green & Blue

Dual = WW & CW

Packaged Fitting Weight & Dimensions

W: 4.3kg

D: 84cm x 32cm x 32cm

Commercial Range

Batten Lights

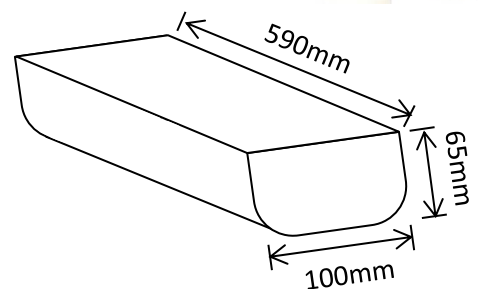
1 8W Batten Light

Product Code	LED's	Battery	Solar Panel	IP Rating	Lumens
SLDBTL1 8W-DC	240 SMD (Dual Colour)	12v 18Ah Lithium	N/A	67	2340

Features:

- RF Remote Control Operation
- Die Cast Aluminium – Body
- LED Selector Switch
- Built-in MPPT Controller
- Brightness Adjustable
- Auto Mode & Manual Mode
- 10m Connection Cable
- Suspension Cable Included
- Strength & Durability Rating: IK08

2 Year Warranty!



Definitions:

WW = Warm White

CW = Cool White

RGB = Red, Green & Blue

Dual = WW & CW

Packaged Fitting Weight & Dimensions

W: 2.7kg

D: 64cm x 13.5cm x 9cm

Solar Panel Required		
No. of lights connected	SLDSP60	SLDSP100
1	✓	
2		✓

*Please reference page 83 for further Solar Panel information

Commercial Range

Batten Lights

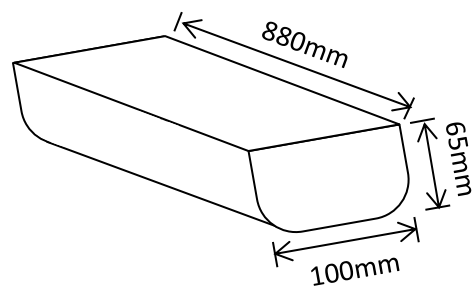
24W Batten Light

Product Code	LED's	Battery	Solar Panel	IP Rating	Lumens
SLDBTL24W-DC	384 SMD (Dual Colour)	12v 24Ah Lithium	N/A	67	3000

Features:

- RF Remote Control Operation
- Die Cast Aluminium – Body
- LED Selector Switch
- Built-in MPPT Controller
- Brightness Adjustable
- Auto Mode & Manual Mode
- 10m Connection Cable
- Suspension Cable Included
- Strength & Durability Rating: IK08

2 Year Warranty!



Definitions:

WW = Warm White

CW = Cool White

RGB = Red, Green & Blue

Dual = WW & CW

Packaged Fitting Weight & Dimensions

W: 3.5kg

D: 95cm x 13.5cm x 9.5cm

Solar Panel Required		
No. of lights connected	SLDSP60	SLDSP100
1	✓	
2		✓

*Please reference page 83 for further Solar Panel information

Commercial Range

Pillar Lights

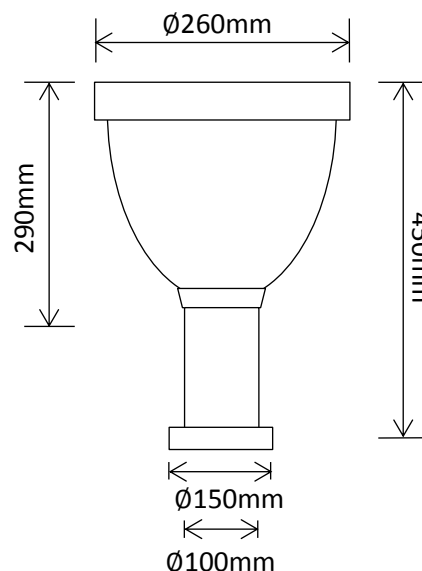
Pillar Light

Product Code	LED's	Battery	Solar Panel	IP Rating	Lumens
SLDPIL0014-WW	16 SMD (WW)	3.2v 8000mAh Lithium	4.5v 6w Polycrystalline	65	300-330

Features:

- Die Cast Aluminium Construction
- High Quality Black Powder Coating
- Approximately 8 hours of Operation
- Surface Mounted Base

2 Year Warranty!



Definitions:

WW = Warm White

CW = Cool White

RGB = Red, Green & Blue

Dual = WW & CW

Packaged Fitting Weight & Dimensions

W: 2.2kg

D: 27cm x 28cm x 38cm

Commercial Range

Pillar Lights

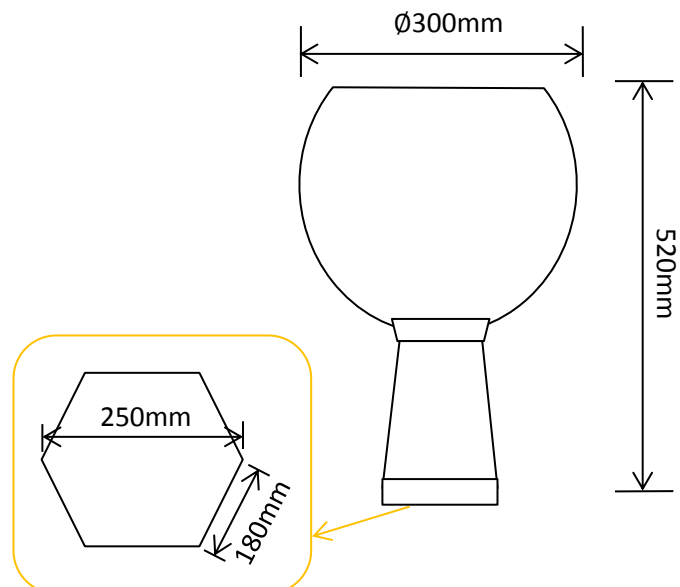
Pillar Light

Product Code	LED's	Battery	Solar Panel	IP Rating	Lumens
SLDPIL1012/BLK	24 x 0.2w (WW)	6.4v 4500mAh Lithium	3w Polycrystalline	67	200

Features:

- Die Cast Aluminium Frame
- High Quality Black Powder Coating
- Polycarbonate Sphere - Opal Finish
- Approximately 8 hours Operation
- Surface Mounted Base

2 Year Warranty!



Definitions:

WW = Warm White

CW = Cool White

RGB = Red, Green & Blue

Dual = WW & CW

Packaged Fitting Weight & Dimensions

W: 3.2kg

D: 33cm x 33cm x 53cm

Commercial Range

Post Lights

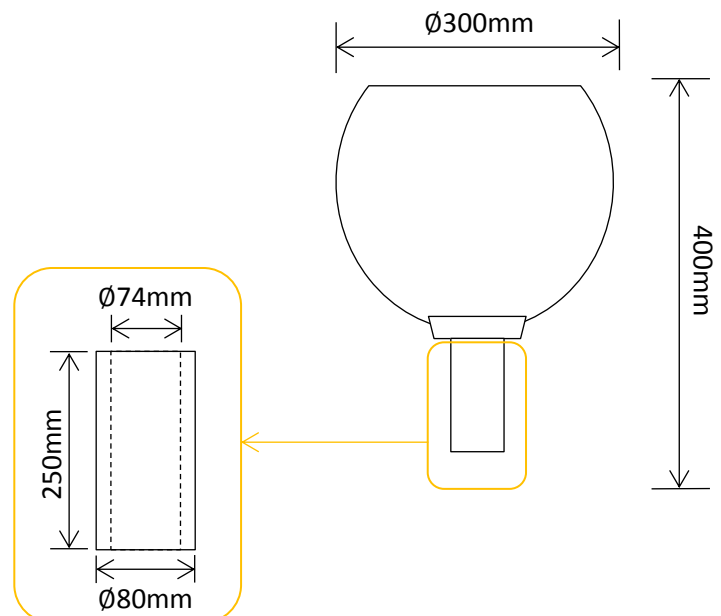
Poly-Carb 'Retro Fit' Post Light

Product Code	LED's	Battery	Solar Panel	IP Rating	Lumens
SLDPL1011/BLK	24 x 0.2w (WW)	6.4v 4500mAh Lithium	3w Polycrystalline	67	200

Features:

- Die Cast Aluminium Body
- High Quality Black Powder Coating
- Polycarbonate Sphere - Opal Finish
- Approximately 8 hours Operation
- Surface Mounted Base

2 Year Warranty!



Definitions:

WW = Warm White

CW = Cool White

RGB = Red, Green & Blue

Dual = WW & CW

Packaged Fitting Weight & Dimensions

W: 2.5kg

D: 24cm x 24cm x 54cm

Wall Washers/Uplighters

Wall Washer

Product Code	LED's	Battery	Solar Panel	IP Rating	Lumens
SLDWW-3W	10 x 0.2w (WW)	16.28Wh Lithium	4w Polycrystalline	65	250
SLDWW-6W	20 x 0.2w (WW)	34.48Wh Lithium	10w Polycrystalline	65	500

Features:

- Extruded Aluminium Construction
- Approximately 6-8 hours Operation
- Adjustable LED Tube & Bracket
- Surface Mounted Base
- SLDWW-3W Lighting Modes =
 - o 100% output for 6 hours, 15% output until dawn
 - o 100% output for 5 hours, 15% output for 6 hours
- SLDWW-6W Lighting Mode =
 - o 100% output for 5 hours, 15% output for 6 hours

2 Year Warranty!

Definitions:

WW = Warm White

CW = Cool White

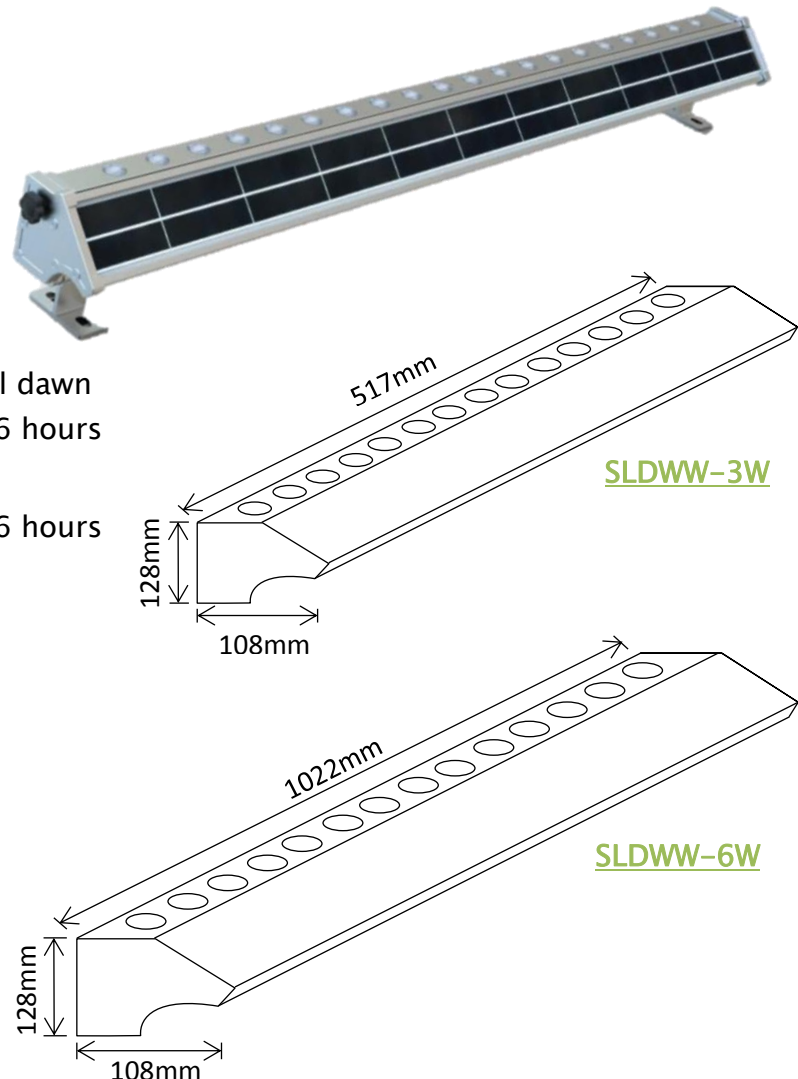
RGB = Red, Green & Blue

Dual = WW & CW

Packaged Fitting Weight & Dimensions

SLDWW-3W: W: 2.4kg
D: 60cm x 20cm x 20cm

SLDWW-12W: W: 4.5kg
D: 104cm x 16cm x 13cm



Wall Washers / Uplighters

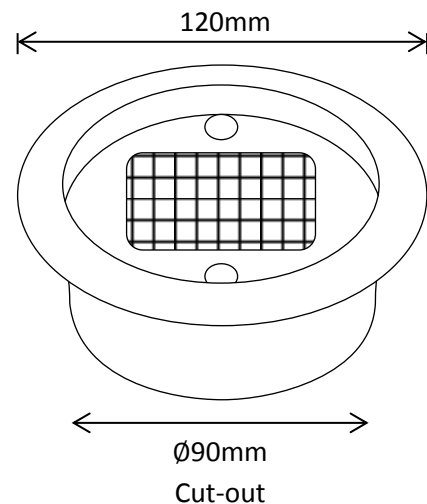
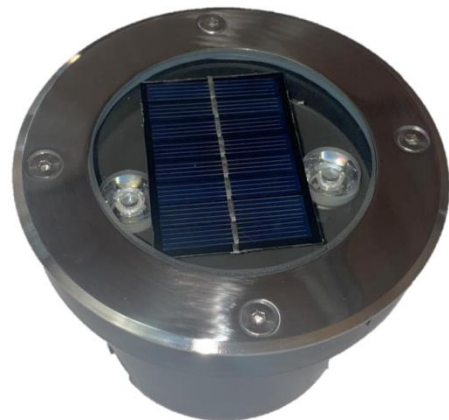
In-Ground Uplighter

Product Code	LED's	Battery	Solar Panel	IP Rating	Lumens
SLDIG-2W	2 x Epistar 5050 @ 1w (WW)	3.2v 2000mAh Lithium	6v Polycrystalline	65	180

Features:

- Stainless Steel Construction
- Approximately 6 hours Operation
- Max Walk Over Pressure - 100kg
- Strength and Durability Rating: IK10
- Recessed Mounting Position
- Tempered Glass
- Depth:
 - o Without Recessing Frame = 65mm
 - o With Recessing Frame = 90mm

2 Year Warranty!



Definitions:

WW = Warm White

CW = Cool White

RGB = Red, Green & Blue

Dual = WW & CW

Packaged Fitting Weight & Dimensions

W: 0.7kg

D: 12.5cm x 12.5cm x 12cm

Wall Washers / Uplighters

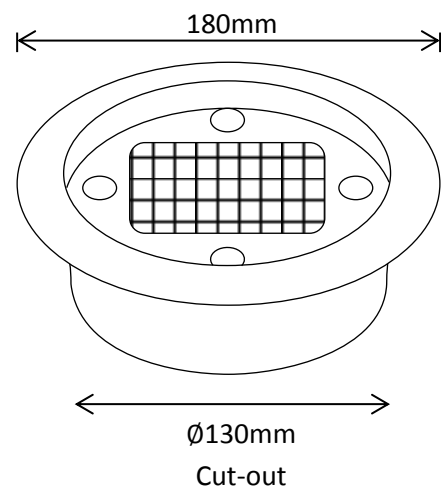
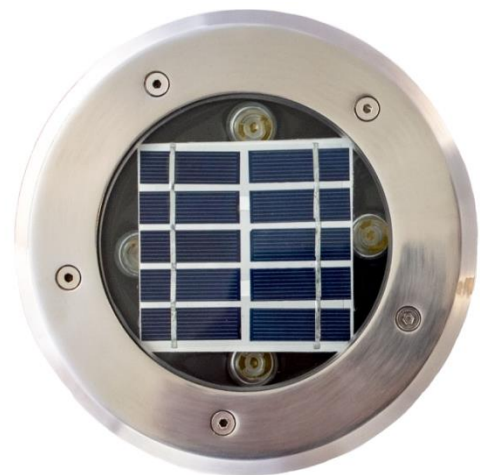
In-Ground Uplighter

Product Code	LED's	Battery	Solar Panel	IP Rating	Lumens
SLDIG-4W	4 x Epistar 5050 @ 1w (WW)	3.2v 5000mAh Lithium	6v Polycrystalline	65	360

Features:

- Stainless Steel Construction
- Approximately 6 hours Operation
- Max Walk Over Pressure - 100kg
- Strength and Durability Rating: IK10
- Recessed Mounting Position
- Tempered Glass
- Depth:
 - o Without Recessing Frame = 65mm
 - o With Recessing Frame = 90mm

2 Year Warranty!



Definitions:

WW = Warm White

CW = Cool White

RGB = Red, Green & Blue

Dual = WW & CW

Packaged Fitting Weight & Dimensions

W: 1.3kg

D: 18.5cm x 18.5cm x 10cm

Wall Washers / Uplighters

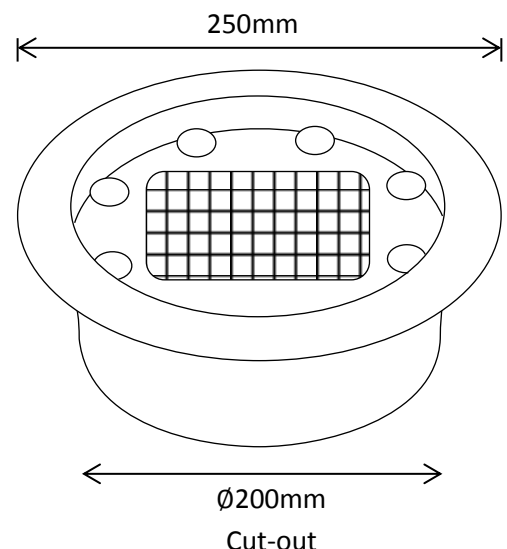
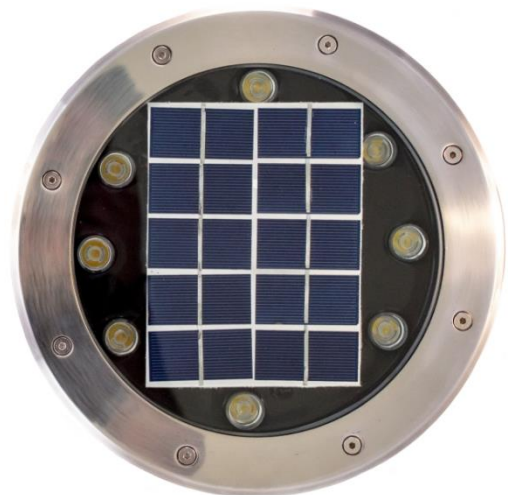
In-Ground Uplighter

Product Code	LED's	Battery	Solar Panel	IP Rating	Lumens
SLDIG-8W	8 x Epistar 5050 @ 1w (WW)	3.2v 5000mAh Lithium	6v Polycrystalline	65	720

Features:

- Stainless Steel Construction
- Approximately 6 hours Operation
- Max Walk Over Pressure - 100kg
- Strength and Durability Rating: IK10
- Recessed Mounting Position
- Tempered Glass
- Depth:
 - o Without Recessing Frame = 65mm
 - o With Recessing Frame = 90mm

2 Year Warranty!



Definitions:

WW = Warm White

CW = Cool White

RGB = Red, Green & Blue

Dual = WW & CW

Packaged Fitting Weight & Dimensions

W: 2.7kg

D: 26cm x 26.5cm x 10cm

Commercial Range

Park Lights

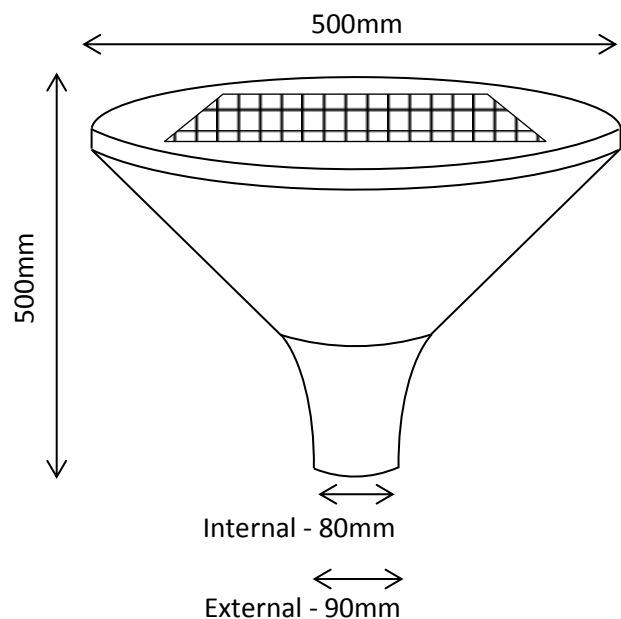
Park Light

Product Code	LED's	Battery	Solar Panel	IP Rating	Lumens
SLDPKL10W	10w SMD (Tri-Colour)	3.2v 30Ah Lithium	30w Polycrystalline	65	1500

Features:

- Die-Cast Aluminium Construction
- Approximately 8-10 hours Operation
- PMMA Diffuser
- Strength and Durability Rating: IK08
- Tri-Colour LED CCT:
 - o 3000k (WW)
 - o 4000k (Neutral)
 - o 6000k (CW)

2 Year Warranty!



Definitions:

WW = Warm White

CW = Cool White

RGB = Red, Green & Blue

Dual = WW & CW

Packaged Fitting Weight & Dimensions

W: 7.2kg

D: 56cm x 56cm x 44cm

Commercial Range

Sign Lights

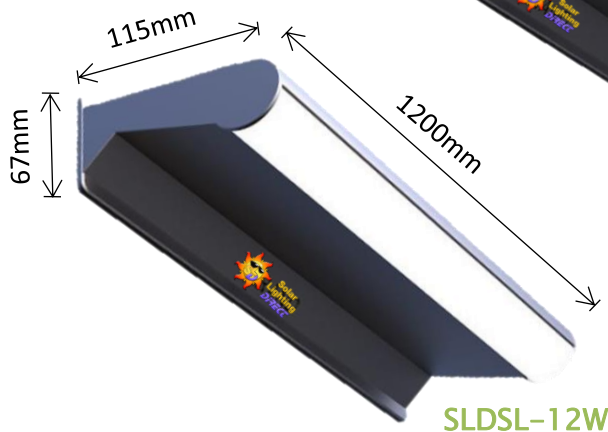
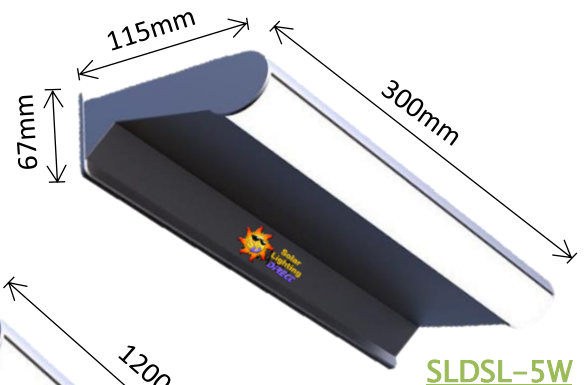
“All-In-One” Sign Lights

Product Code	LED's	Battery	Solar Panel	IP Rating	Lumens
SLDSL-5W	24 x SMD (CW)	3.7v 5.2Ah Lithium	4.5w Polycrystalline	65	500
SLDSL-12W	96 x SMD (CW)	3.7v 10.4Ah Lithium	9w Polycrystalline	65	1200

Features:

- Extruded Aluminium Body
- On/Off Push Button
- Approximately 6-8 hours Operation
- PMMA Diffuser
- Built in Wall Mount provisions

2 Year Warranty!



SLDSL-5W

SLDSL-12W

Definitions:

WW = Warm White

CW = Cool White

RGB = Red, Green & Blue

Dual = WW & CW

Packaged Fitting Weight & Dimensions

SLDSL-5W: W: 1kg

D: 32cm x 13cm x 8cm

SLDSL-12W: W: 4kg

D: 127cm x 15cm x 10cm

Portable Lighting Systems

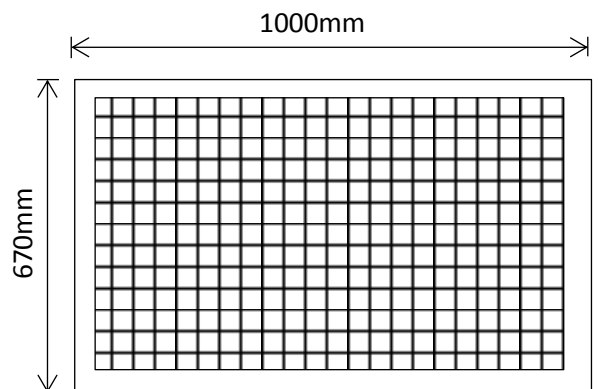
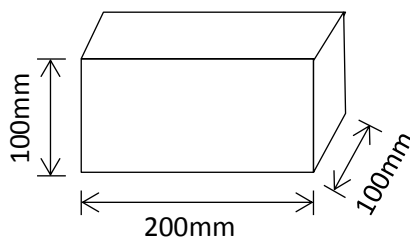
72W Portable Lighting System

Product Code	LED's	Battery	Solar Panel	IP Rating	Lumens
SLDPLS-72W	N/A	12vDC 30Ah High Capacity Lithium	100w Polycrystalline	65	N/A

Features:

- Custom Designed & Engineered
- Operates a maximum of 72W @ 12VDC for up to 5 hours continuously

2 Year Warranty!



Packaged Fitting Weight & Dimensions

Please contact us via the number below for the dimensions of this fitting.

Industrial Range

Bollard Lights

Industrial Bollard Light

Product Code	LED's	Battery	Solar Panel	IP Rating	Lumens
SLDBL0011/BLK-DC	36 x 0.2w (Dual Colour)	6.4v 4500mAh Lithium	4w Polycrystalline	65	300
SLDBL0012/BLK-DC	36 x 0.2w (Dual Colour)	6.4v 4500mAh Lithium	4w Polycrystalline	65	300

Features:

- Aluminium Construction
- High Quality Black Powder Coating
- Polycarbonate Lens
- Approximately 8 hours operation
- Surface Mounted Base
- Strength & Durability Rating: IK10

2 Year Warranty!

Definitions:

WW = Warm White

CW = Cool White

RGB = Red, Green & Blue

Dual = WW & CW

Packaged Fitting Weight & Dimensions

SLDBL0011/BLK-DC:

W: 4.8kg

D: 82cm x 33cm x 31cm

SLDBL0012/BLK-DC:

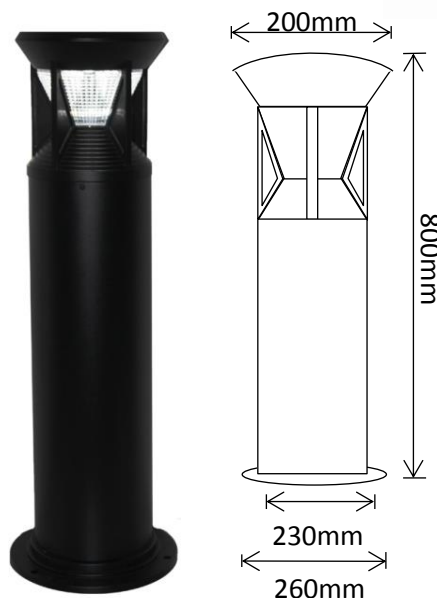
W: 5.5kg

D: 84cm x 32cm x 32cm

SLDBL0011/BLK-DC



SLDBL0012/BLK-DC



Industrial Range

Bollard Lights

Industrial Bollard Light

Product Code	LED's	Battery	Solar Panel	IP Rating	Lumens
SLDBL0013/BLK-DC	12 x 0.2w (Dual Colour)	6.4v 4500mAh Lithium	2.5w Polycrystalline	65	150
SLDBL2713/BLK-DC	36 x 0.2w (Dual Colour)	6.4v 4500mAh Lithium	4w Polycrystalline	65	300

Features:

- Aluminium Construction
- High Quality Black Powder Coating
- Polycarbonate Lens
- Approximately 8 hours operation
- Surface Mounted Base
- Strength & Durability Rating: IK10

2 Year Warranty!

Definitions:

WW = Warm White

CW = Cool White

RGB = Red, Green & Blue

Dual = WW & CW

Packaged Fitting Weight & Dimensions

SLDBL0013/BLK-DC:

W: 6.4kg

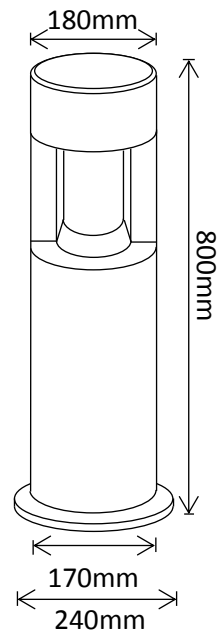
D: 84cm x 33cm x 31cm

SLDBL2713/BLK-DC:

W: 6.9kg

D: 84cm x 32cm x 32cm

SLDBL0013/BLK-DC



SLDBL2713/BLK-DC

Industrial Range

Bollard Lights

Industrial Bollard Light

Product Code	LED's	Battery	Solar Panel	IP Rating	Lumens
SLDBL0008/GRY-DC	48 x 0.2w (Dual Colour)	6.4v 4500mAh Lithium	4w Polycrystalline	65	300
SLDBL0086/GRY-DC	48 x 0.2w (Dual Colour)	6.4v 4500mAh Lithium	4w Polycrystalline	65	300

Features:

- Aluminium Construction
- High Quality Grey Powder Coating
- Polycarbonate Lens
- Approximately 8 hours operation
- Surface Mounted Base
- Strength & Durability Rating: IK10
- Decorative LED on Post (Optional On/Off)

2 Year Warranty!

Definitions:

WW = Warm White

CW = Cool White

RGB = Red, Green & Blue

Dual = WW & CW

Packaged Fitting Weight & Dimensions

SLDBL0008/GRY-DC:

W: 5.2kg

D: 85cm x 32cm x 32cm

SLDBL0086/GRY-DC:

W: 5.9kg

D: 104cm x 32cm x 32cm

[SLDBL0008/GRY-DC](#)



[SLDBL0086/GRY-DC](#)



Industrial Range

Road Studs

Road Stud – Square

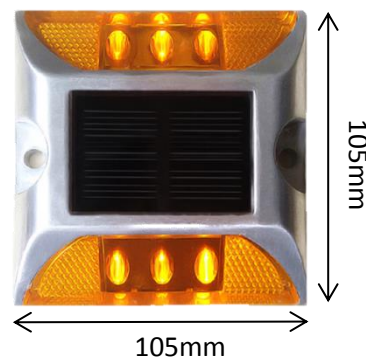
Product Code	LED's	Battery	Solar Panel	IP Rating	Lumens
SLDRSS/A	6 x Epistar SMD (Amber)	1.2v 800mAh Ni-MH	2v 0.2w Polycrystalline	68	300
SLDRSS/BL	6 x Epistar SMD (Blue)	1.2v 800mAh Ni-MH	2v 0.2w Polycrystalline	68	300
SLDRSS/W	6 x Epistar SMD (White)	1.2v 800mAh Ni-MH	2v 0.2w Polycrystalline	68	300

Please Note: All road studs are designed for single use only and contain a non-replaceable battery.

Features:

- Machined Aluminium Construction
- Full charge operation - Approximately 3-5 days
- Working Mode:
 - o SLDRSS/A = Flashing 120 times/min
 - o SLDRSS/BL & SLDRSS/W = Constant On
- Load-bearing = 20 Tonne
- Visible Distance >500M (Night)
- Colour Options on Request (MOQ 50) : Red, Green

2 Year Warranty!



Packaged Fitting Weight & Dimensions

W: 0.3kg

D: 12cm x 12cm x 5cm

Industrial Range

Park Lights

Park Light with Bug Zapper

Product Code	LED's	Battery	Solar Panel	IP Rating	Lumens
SLDPKL18W-ZAP	18 x SMD (CW)	14.8v 15600mAh Lithium	25w Polycrystalline	65	1000

Features:

- Built-in MPPT Controller
- Aluminium Alloy Construction
- RF Remote Control Operation
- 9w Insect Eradicator
- Built in Rain Sensor with Memory Function

2 Year Warranty!



Definitions:

WW = Warm White

CW = Cool White

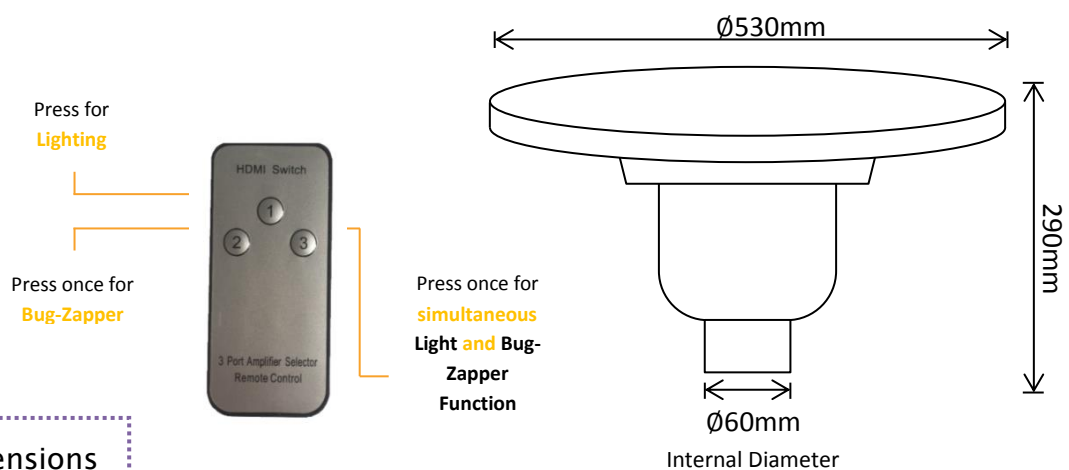
RGB = Red, Green & Blue

Dual = WW & CW

Packaged Fitting Weight & Dimensions

W: 8.1kg

D: 57cm x 57cm x 24cm



Industrial Range

High Bay Light

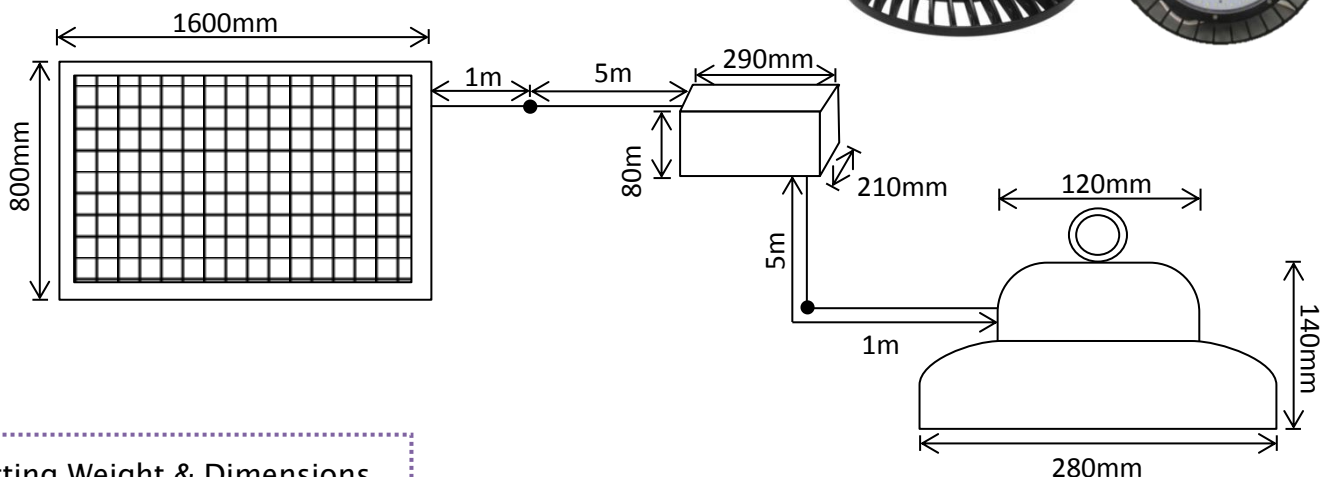
High Bay Light

Product Code	LED's	Battery	Solar Panel	IP Rating	Lumens
SLDHB-100W	264 x SMD 3030 (Cool White)	24vDC 40Ah Li-ion	36v 200w Polycrystalline	67	11000

Features:

- Die Cast Aluminium Construction
- Built-in MPPT Controller
- RF Remote Control Operation
- Multiple Pre-programmed Modes
- Brightness Adjustable
- Time Adjustable
- Approximately 12 hour run time
- Strength & Durability Rating: IK10

2 Year Warranty!



Packaged Fitting Weight & Dimensions

Please contact us via the number below for the dimensions of this fitting.

Industrial Range

Street Lights

Street Light w/ Integrated IP Camera

Product Code	LED's	Battery	Solar Panel	IP Rating	Lumens
SLDSTL-15W/CAM-SII	30 x 3030 Lumi (Cool White)	12.8v 56Ah Lithium	18vDC 43w Polycrystalline	66	1500-1650

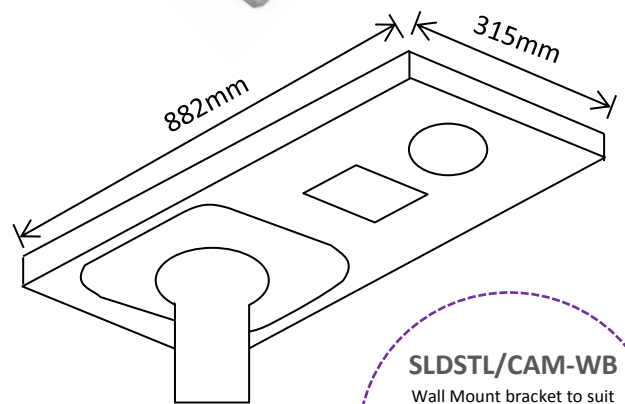
Features:

- All-In-One Construction
- Approximately 7 hour Charging Time
- Operating Time: 6 Hrs at 100% + 6 Hrs at 50%
- Strength & Durability Rating: IK08
- Aluminium Alloy & PMMA Construction

Camera Features:

- 3 Mega Pixels
- Pan, Tilt & Zoom lens control, 2.7-13.5mm Zoom
- 90* viewing angle with 360* rotation
- Internet Protocol (IP) with Wifi
- ONVIF Compatible
- Infrared Vision Technology
- 64GB TF Storage Card

2 Year Warranty!



Internal Diameter – Ø76mm

Packaged Fitting Weight & Dimensions

W: 10.2kg

D: 95cm x 42cm x 17cm

Industrial Range

Street Lights

Street Light w/ Integrated IP Camera

Product Code	LED's	Battery	Solar Panel	IP Rating	Lumens
SLDSTL-30W/CAM-SII	30 x 3030 Lumi (Cool White)	12.8v 84Ah Lithium	18vDC 60w Polycrystalline	66	3000-3300

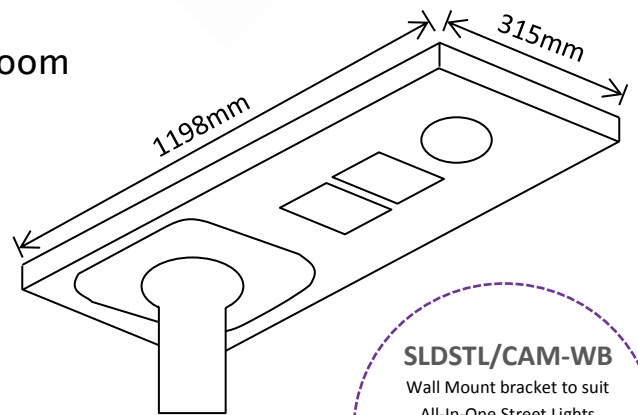
Features:

- All-In-One Construction
- Approximately 7 hour Charging Time
- Integrated PIR Sensor:
 - 100% Brightness for approx. 10 minutes when sensor is triggered
- Strength & Durability Rating: IK08
- Aluminium Alloy & PMMA Construction

Camera Features:

- 3 Mega Pixels
- Pan, Tilt & Zoom lens control, 2.7-13.5mm Zoom
- 90* viewing angle with 360* rotation
- Internet Protocol (IP) with Wifi
- ONVIF Compatible
- Infrared Vision Technology
- 64GB TF Storage Card

2 Year Warranty!



Internal Diameter – Ø76mm



Packaged Fitting Weight & Dimensions

W: 13.4kg

D: 126cm x 42cm x 17cm

Industrial Range

Street Lights

Street Light w/ Integrated IP Camera

Product Code	LED's	Battery	Solar Panel	IP Rating	Lumens
SLDSTL-60W/CAM-SII	60 x 3030 Lumi (Cool White)	12.8v 112Ah Lithium	18vDC 78w Polycrystalline	66	6600

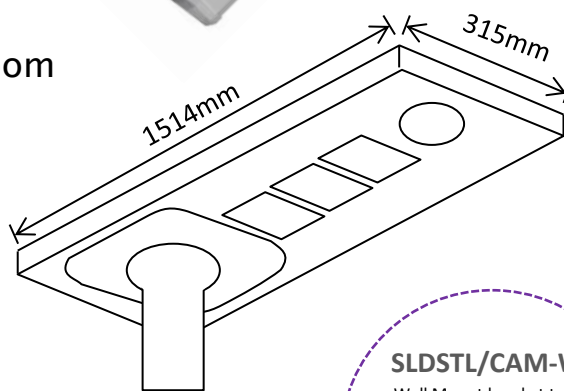
Features:

- All-In-One Construction
- Approximately 7 hour Charging Time
- Integrated PIR Sensor:
 - 100% Brightness for approx. 10 minutes when sensor is triggered
- Strength & Durability Rating: IK08
- Aluminium Alloy & PMMA Construction

Camera Features:

- 3 Mega Pixels
- Pan, Tilt & Zoom lens control, 2.7-13.5mm Zoom
- 90* viewing angle with 360* rotation
- Internet Protocol (IP) with Wifi
- ONVIF Compatible
- Infrared Vision Technology
- 64GB TF Storage Card

2 Year Warranty!



Internal Diameter – Ø76mm



SLDSTL/CAM-WB
Wall Mount bracket to suit
All-In-One Street Lights

Packaged Fitting Weight & Dimensions

W: 16.6kg

D: 160cm x 42cm x 17cm

Industrial Range

Street Lights

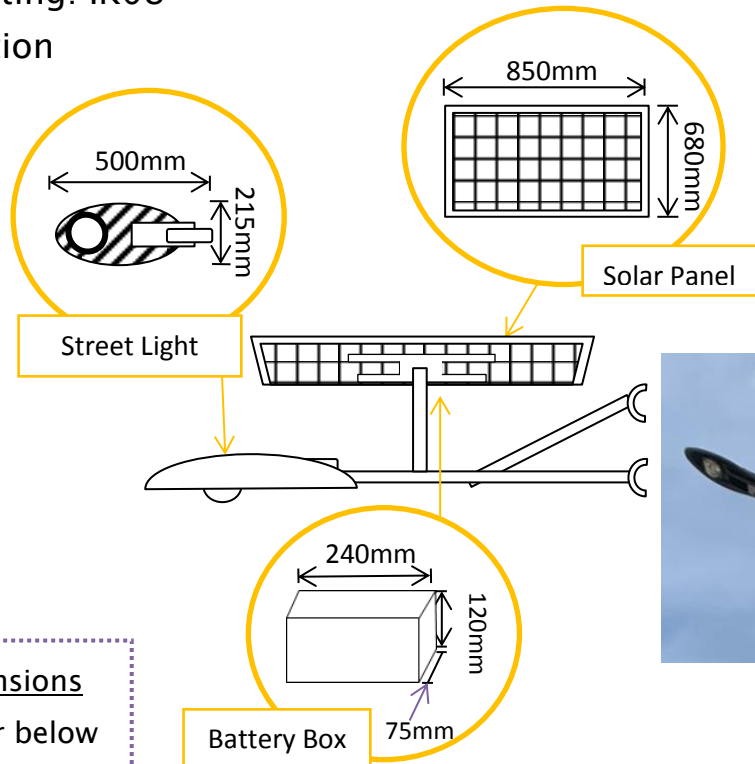
Street Light

Product Code	LED's	Battery	Solar Panel	IP Rating	Lumens
SLDSTL-30W	30w Bridgelux COB (Cool White)	12v 30Ah Lithium	18vDC 80w Polycrystalline	65	2700

Features:

- Aluminium Alloy & PMMA Construction
- Black Powder Coated Steel Mounting Bracket
- Approximately 7 hour Charging Time
- Approximately 12 hour run time @ 100%
- Strength & Durability Rating: IK08
- No UV or IR Light Radiation
- Adjustable Solar Panel
- Aluminium Cooling Fins

2 Year Warranty!



Packaged Fitting Weight & Dimensions
Please contact us via the number below for the dimensions of this fitting.

Industrial Range

Street Lights

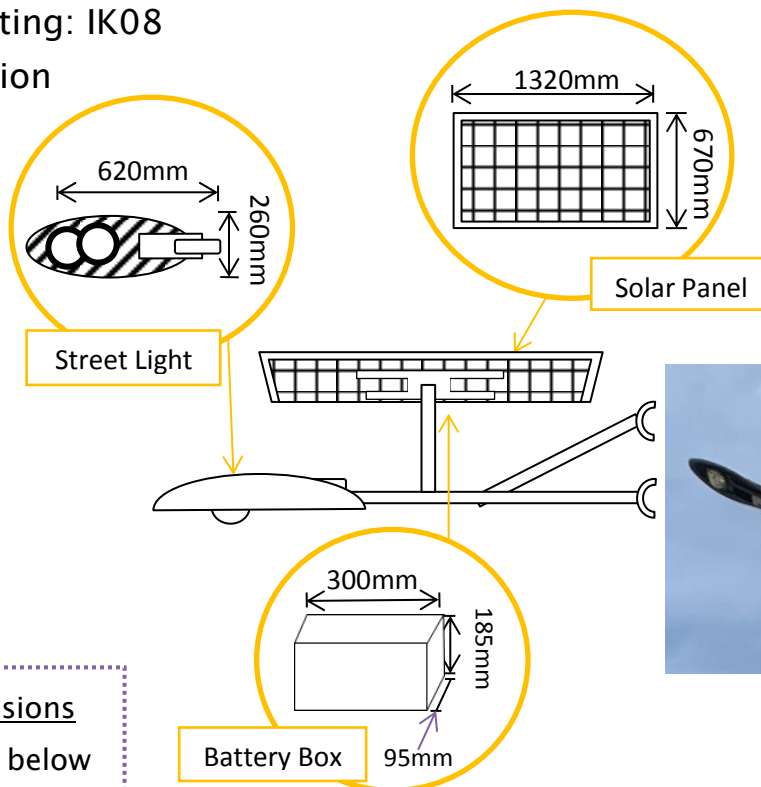
Street Light

Product Code	LED's	Battery	Solar Panel	IP Rating	Lumens
SLDSTL-50W	2 x 25w Bridgelux COB (Cool White)	12v 500Ah Lithium	18vDC 140w Polycrystalline	65	4500

Features:

- Aluminium Alloy & PMMA Construction
- Black Powder Coated Steel Mounting Bracket
- Approximately 7 hour Charging Time
- Approximately 12 hour run time @ 100%
- Strength & Durability Rating: IK08
- No UV or IR Light Radiation
- Adjustable Solar Panel
- Aluminium Cooling Fins

2 Year Warranty!



Packaged Fitting Weight & Dimensions
Please contact us via the number below for the dimensions of this fitting.

Industrial Range

Street Lights

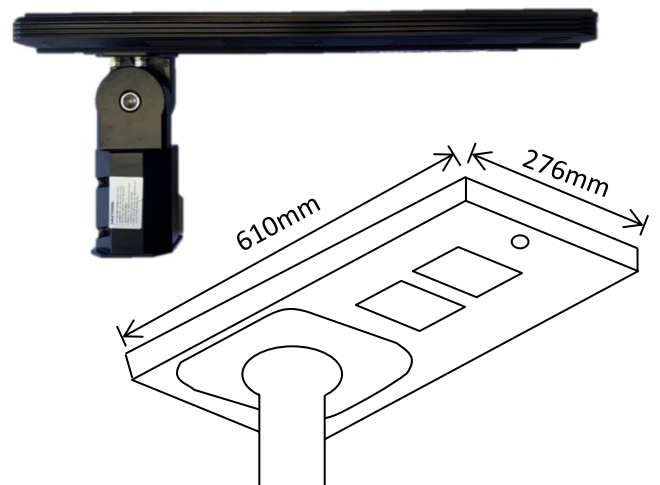
Street Light – “Shoe Box”

Product Code	LED's	Battery	Solar Panel	IP Rating	Lumens
SLDSTL-15W/AIO	160LM/W USA Cree (Cool White)	3.7v 26Ah Lithium	20w Monocrystalline Silicon	65	2400

Features:

- Aluminium Alloy (Oxidation) Construction
- Integrated MPPT Smart Controller
- Approximately 6–8 hours Charging Time
- Integrated PIR Control
 - 30% Illumination operation, 100% Illumination for approx. 10 mins when the sensor is triggered
- All-In-One Construction
- Adjustable Spigot
- Strength & Durability Rating: IK10

2 Year Warranty!



Packaged Fitting Weight & Dimensions

W: 8.9kg

D: 67cm x 34cm x 16.5cm

Internal Diameter – Ø80mm

Industrial Range

Street Lights

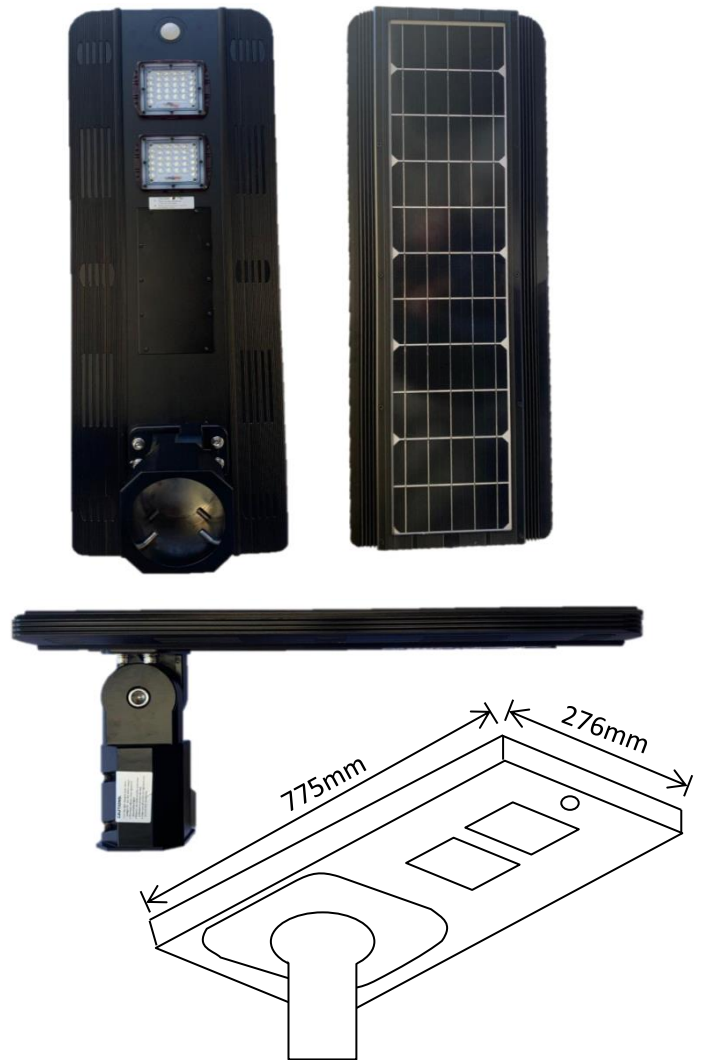
Street Light – “Shoe Box”

Product Code	LED's	Battery	Solar Panel	IP Rating	Lumens
SLDSTL-25W/AIO	160LM/W USA Cree (Cool White)	3.7v 39Ah Lithium	30w Monocrystalline Silicon	65	4000

Features:

- Aluminium Alloy (Oxidation) Construction
- Integrated MPPT Smart Controller
- Approximately 6-8 hours Charging Time
- Integrated PIR Control
 - 30% Illumination operation, 100% Illumination for approx. 10 mins when the sensor is triggered
- All-In-One Construction
- Adjustable Spigot
- Strength & Durability Rating: IK10

2 Year Warranty!



Packaged Fitting Weight & Dimensions

W: 12.2kg

D: 92cm x 34.5cm x 17cm

Internal Diameter – Ø80mm

Industrial Range

Street Lights

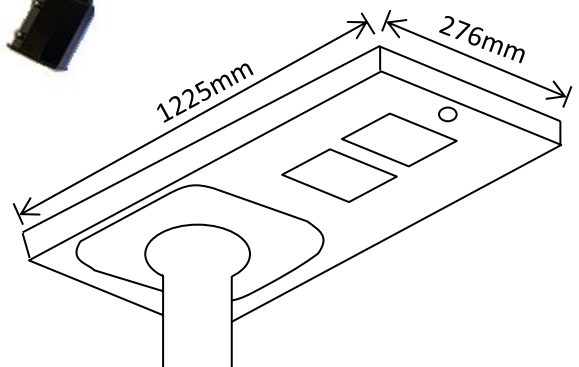
Street Light – “Shoe Box”

Product Code	LED's	Battery	Solar Panel	IP Rating	Lumens
SLDSTL-40W/AIO	160LM/W USA Cree (Cool White)	3.7v 46.8Ah Lithium	48w Monocrystalline Silicon	65	6400

Features:

- Aluminium Alloy (Oxidation) Construction
- Integrated MPPT Smart Controller
- Approximately 6-8 hours Charging Time
- Integrated PIR Control
 - 30% Illumination operation, 100% Illumination for approx. 10 mins when the sensor is triggered
- All-In-One Construction
- Adjustable Spigot
- Strength & Durability Rating: IK10

2 Year Warranty!



Packaged Fitting Weight & Dimensions

W: 17.1kg

D: 131cm x 35cm x 20cm

Internal Diameter – Ø80mm

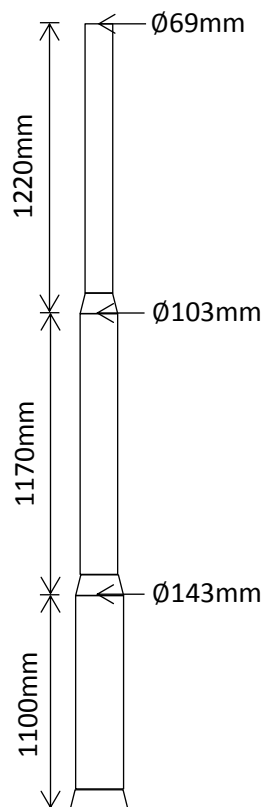
Sectional Aluminium Posts



SLDPOL-3.5

Features:

- Total 3.5m Length
- "Sectional" Construction
- Die-Cast Aluminium
- Lightweight
- Easy DIY
- Colour – Powder Coated Silver
- **Maximum load rating - 15kg**



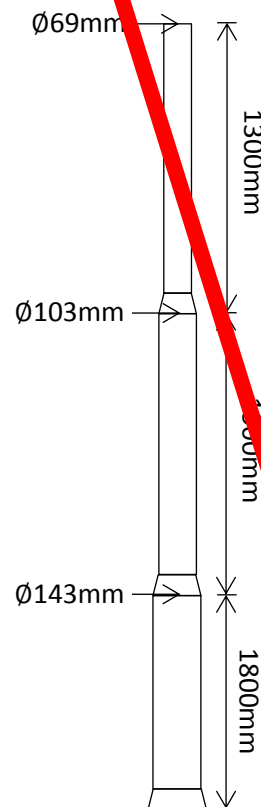
PACKAGE SIZE: 1.3m

Discontinued

SLDPOL-5.0

Features:

- Total 5m Length
- "Sectional" Construction
- Die Cast Aluminium
- Lightweight
- Easy DIY
- Colour – Powder Coated Silver
- **Maximum load rating - 15kg**

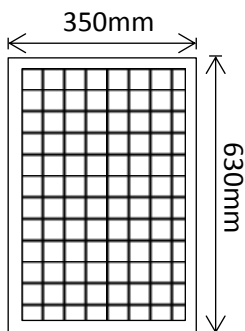


PACKAGE SIZE: 2.0m

Additional Information

Solar Panels

SLDSP30

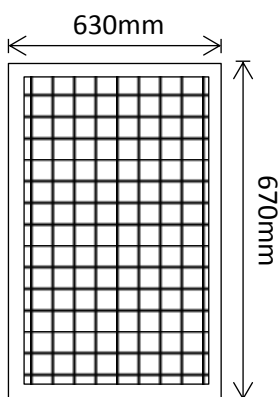


Specifications:

- Max power at STC (Pmax) - 30W
- Optimum operating voltage (Vmp) - 18.2V
- Optimum operating current (Imp) - 1.65A
- Open circuit voltage (Voc) - 22.2V
- Maximum series Fuse - 15A
- Weight - 2.8kg
- Application class - A class
- Operating Temperature : -40°C to +85°C
- Maximum System Voltage - 1000V DC



SLDSP60

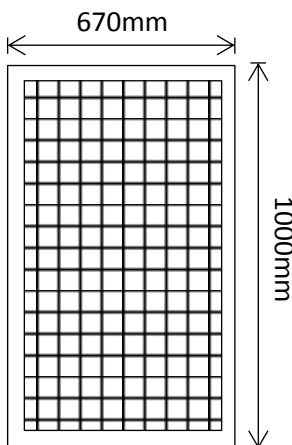


Specifications:

- Max power at STC (Pmax) - 60W
- Optimum operating voltage (Vmp) - 18.2V
- Optimum operating current (Imp) - 3.3A
- Open circuit voltage (Voc) - 22.2V
- Maximum series Fuse - 15A
- Weight - 4.7kg
- Application class - A class
- Operating Temperature : -40°C to +85°C
- Maximum System Voltage - 1000V DC



SLDSP100



Specifications:

- Max power at STC (Pmax) - 100W
- Optimum operating voltage (Vmp) - 18V
- Optimum operating current (Imp) - 5.56A
- Open circuit voltage (Voc) - 22V
- Maximum series Fuse - 15A
- Weight - 8kg
- Application class - A class
- Operating Temperature : -40°C to +85°C
- Maximum System Voltage - 1000V DC



SLDSP-P2PCON

"Y" connector to connect multiple Solar Panels together.

Additional Information

Why Us?

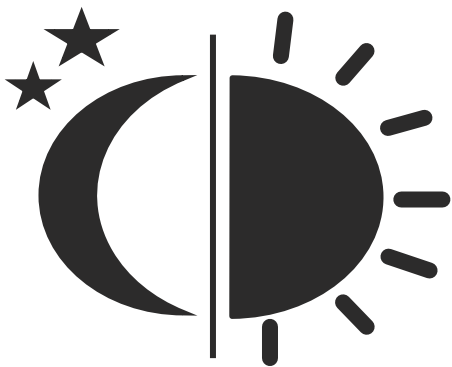


Photo Electric Cell & Day/Night “Smart Controller”

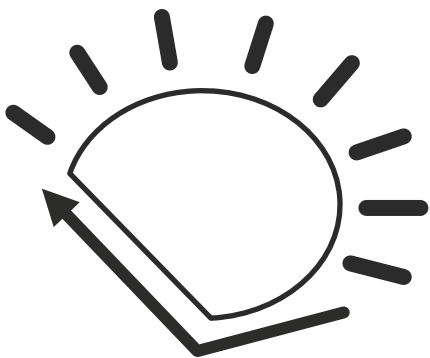
This means your lights will sense ambient light and automatically switch on at dusk and off at dawn. So your lights are always on when you need them, without having to manually turn them on and off.

The lights’ sensor can tell the difference between the setting of the sun and dark clouds forming overhead, so unlike other products, your lights won’t be switching on and off randomly during the day just because a cloud, plane or bird passed overhead.



Replacement Parts

We keep a full range of replacement and accessory components for all of our products at our Sydney warehouse. If over time any items wears out our ready stocks ensure quick turnaround for your replacements and repairs.



Protection against our Australian Sun

Our beloved Australian sun is both a blessing and a curse. Most non-metal component of **electronics left outside** for extended periods of time are often **destroyed by our Sun’s harsh UV**.

With our UV stabilised components, your solar lights will survive in our sun **year-in, year-out** without:

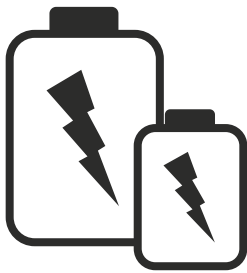
- ✗ FADING
- ✗ CRACKING
- ✗ CRUMBLING

This is especially important for the protective layers on the solar cells themselves, which in **lesser products** can go **“hazy”** and **limit the amount of light reaching the cells**

Additional Information

Battery Technology

NICKLE-CADMIUM BATTERIES

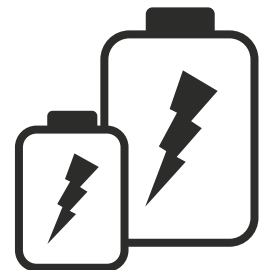


Many other manufacturers use older Nickel-Cadmium (Ni-Cd) technology batteries. These are far cheaper to produce, however are infamous for the dreaded “memory effect”. This means if the lights are only partially discharged before recharging, this “memory” stops the battery from being able to fully recharge therefore reducing future battery capacity. As a direct result, these batteries take more than twice as long to charge and have a much lower energy capacity.

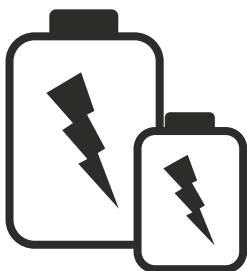
NICKLE-METAL HYDRIDE BATTERIES

Due to this significant “memory effect” Solar Lighting Direct lights use Nickel Metal Hydride (NiMH) Batteries, which give you:

- 1 Less “memory effect”
- 2 Quicker charge times
- 3 Longer lighting periods



LITHIUM LIFEPO4 BATTERIES



Moving forward our solar lights are being equipped with Lithium Batteries, which reduce the memory effect even further than NiMH, therefore these batteries offer you:

- 1 Virtually non-existent “memory effect”
- 2 The quickest charge times
- 3 The longest possible lighting periods



**Solar
Lighting
DIRECT**

PH: 1300 135 911

Website: www.solarlightingdirect.com.au

Email: sales@solarlightingdirect.com.au