

SOLAR LIGHTING DIRECT

PRODUCT CATALOGUE



**Solar
Lighting
DIRECT**

PH: 1300 135 911

Website: www.solarlightingdirect.com.au

Email: sales@solarlightingdirect.com.au

Solar Lighting Direct started in July 2014 and is an **Australian owned** business with over 25 years of experience in the lighting and electrical industries. Since our inception into the Solar Lighting market, SLD has very quickly become one of the leading importers for stand-alone solar lighting products and boasts one of the most comprehensive ranges spanning across Residential, Commercial & Industrial products.

Quality is no compromise when it comes to our products and this is the strength on which the SLD brand continues to thrive on!

Every light you will find in this catalogue is **Solar Powered**, with their design incorporating functionality, durability and style. All of our products are designed and engineered to suit our Australian lifestyles and are backed with an unconditional replacement warranty of 12-24 months (Subject to Range).



All images and information in this publication are a guide to the displayed product and should be checked with www.solarlightingdirect.com.au for updates prior to purchase. Information is subject to change, without notification, at the discretion of Solar Lighting Direct.

For further information please contact the team at Solar Lighting Direct

For information about our warranty visit:

<https://solarlightingdirect.com.au/pages/shipping-refund-policies>

Solar Lighting Direct

Index

Residential Range

- 4 | Path/Deck Lights
- 9 | Wall Lights
- 19 | Bollard Lights
- 24 | Post Lights
- 31 | Pillar Lights
- 34 | Flood Lights
- 37 | Garden Spot Lights
- 41 | Illuminated House Numbers
- 42 | Multi-Purpose Lights
- 44 | Portable Camping Lanterns
- 47 | Bud/Christmas Lights
- 48 | Meteor Lights
- 49 | Festoon Lights
- 51 | Strip Lighting
- 52 | Portable Lighting Systems
- 53 | Skylights

Commercial Range

- 54 | Flood Lights
- 57 | Bollards
- 60 | Batten Lights
- 62 | Pillar Lights
- 64 | Post Lights
- 65 | Wall Washer/Uplighters
- 69 | Park Lights
- 70 | Sign Lights

Industrial Range

- 71 | Portable Lighting Systems
- 72 | Bollard Lights
- 75 | Road Studs
- 76 | Park Lights
- 77 | High Bay
- 78 | Street Lights
- 86 | Sectional Aluminium Poles

Additional Information

- 87 | Solar Panel Information
- 88 | Why Us?
- 89 | Battery Technology

Residential Range

Path/Deck Lights

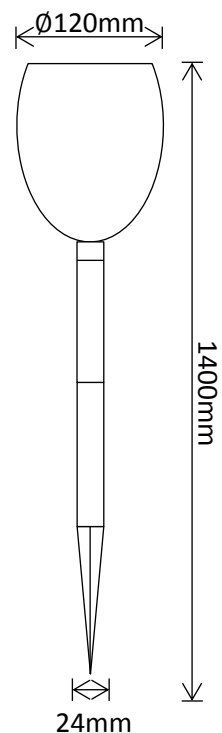
Tiki Torch

Product Code	LED's	Battery	Solar Panel	IP Rating	Lumens
SLDTT/1	96 x 3528k Warm White	1 x 3.7v 2200mAh Lithium	0.88W ERE Integrated	65	N/A

Features:

- High Quality Plastics Construction
- Approximately 12 hours Operation
- Spike Mounting
- Candle-Like Flicker Effect

1 Year Warranty!



Packaged Fitting Weight & Dimensions

W: 1kg

D: 34cm x 16cm x 14cm

Residential Range

Path/Deck Lights

Deck/In-Ground Kit

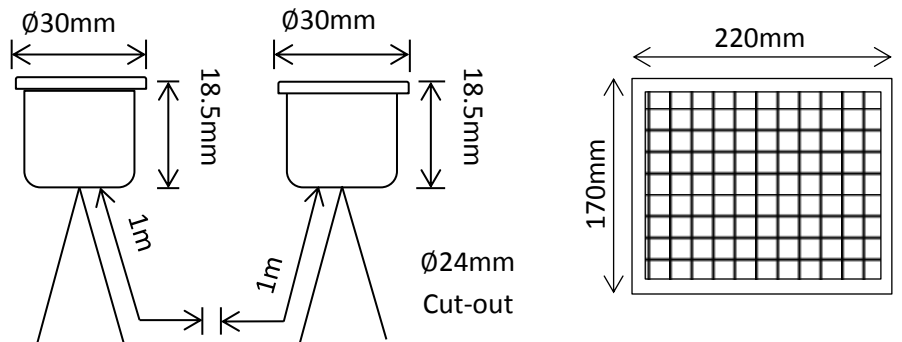
Product Code	LED's	Battery	Solar Panel	IP Rating	Lumens
SLDDLK-5	5 x SMD LEDs @0.3W Warm White	1 x 3.7v 2200mAh Lithium	3W Separate Polycrystalline	Panel = 65 Lights = 67	40 @ 1m

Features:

- Stainless Steel Construction
- Approximately 6-8 hours Operation
- 100kg Max Walk Over Pressure
- Flush Mounting Position
- 5m Moulded Cable from Solar Panel to First Light
- 2m Moulded Cable Joining Light to Light



1 Year Warranty!



Packaged Fitting Weight & Dimensions

W: 1kg

D: 31cm x 18cm x 7cm

Residential Range

Path/Deck Lights

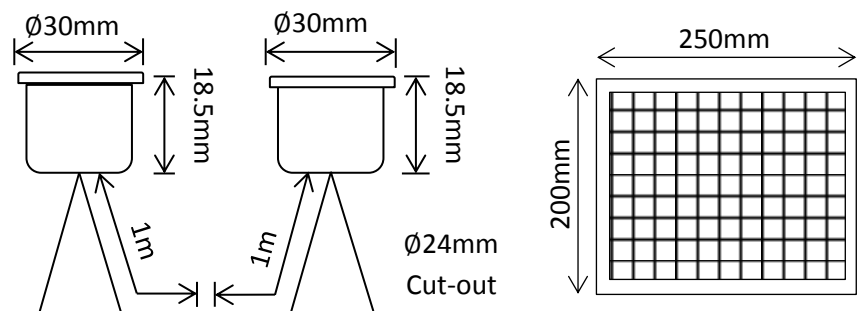
Deck/In-Ground Kit

Product Code	LED's	Battery	Solar Panel	IP Rating	Lumens
SLDDLK-10	10 x SMD LEDs @0.3W Warm White	1 x 3.7v 2600mAh Lithium	5W Separate Polycrystalline	Panel = 65 Lights = 67	40 @ 1m

Features:

- Stainless Steel Construction
- Approximately 6-8 hours Operation
- 100kg Max Walk Over Pressure
- Flush Mounting Position
- 5m Moulded Cable from Solar Panel to First Light
- 2m Moulded Cable Joining Light to Light

1 Year Warranty!



Packaged Fitting Weight & Dimensions

W: 1.3kg

D: 27cm x 21cm x 6.5cm

Residential Range

Path/Deck Lights

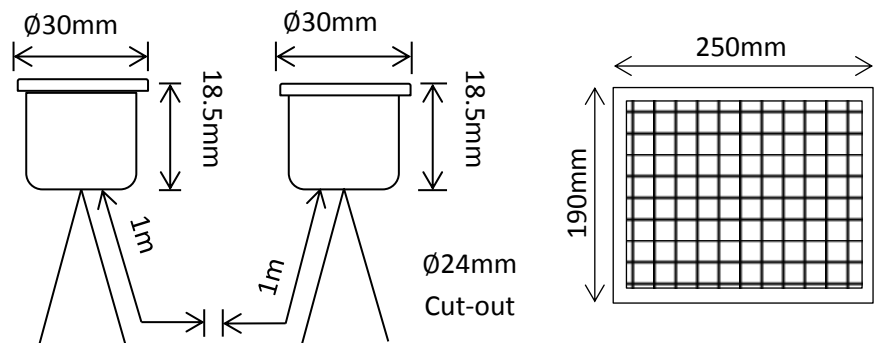
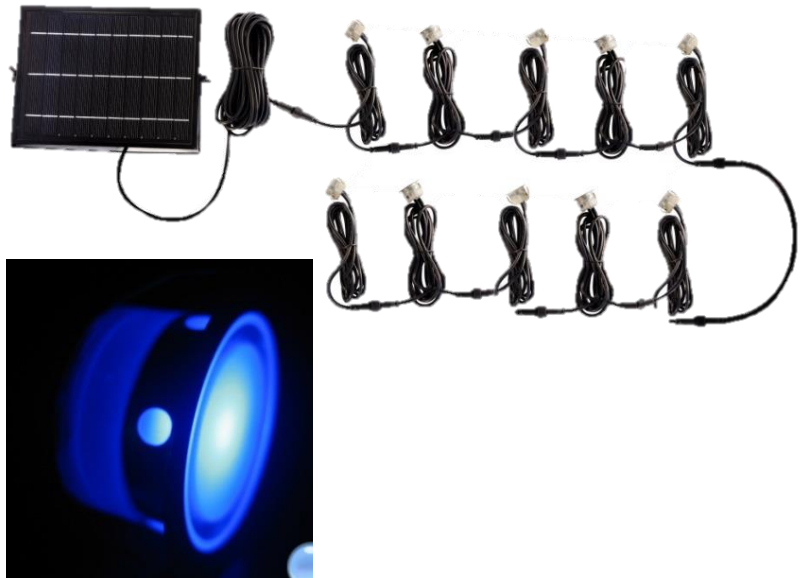
Deck/In-Ground Kit

Product Code	LED's	Battery	Solar Panel	IP Rating	Lumens
SLDDLK-10RGB	10 x SMD LEDs @0.3W RGB	1 x 3.7v 2600mAh Lithium	5W Separate Polycrystalline	Panel = 65 Lights = 67	40 @ 1m

Features:

- Stainless Steel Construction
- Approximately 6-8 hours Operation
- 100kg Max Walk Over Pressure
- Flush Mounting Position
- 5m Moulded Cable from Solar Panel to First Light
- 2m Moulded Cable Joining Light to Light

1 Year Warranty!



Packaged Fitting Weight & Dimensions

W: 2.3kg

D: 30cm x 19cm x 12cm

Residential Range

Path/Deck Lights

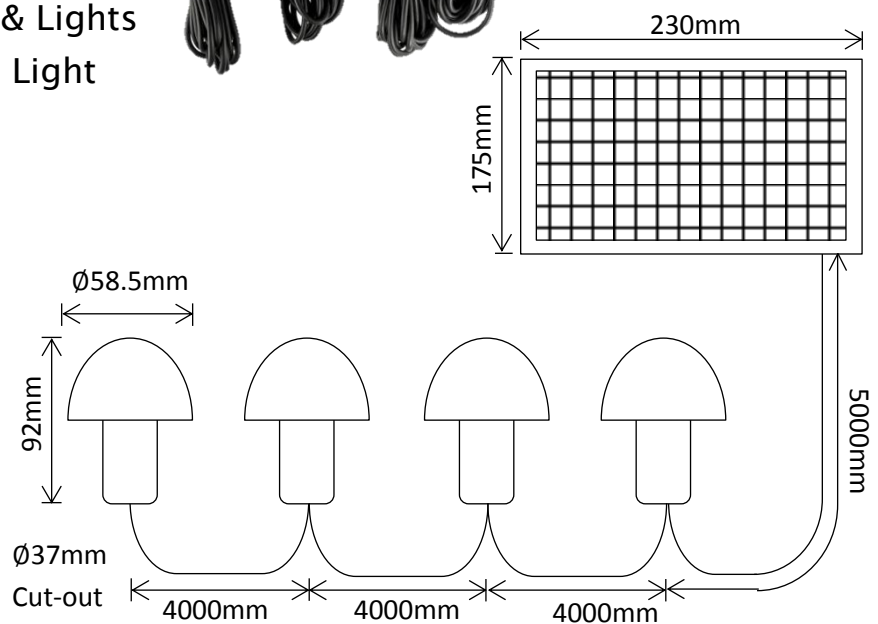
4Way Directional In-Ground Kit

Product Code	LED's	Battery	Solar Panel	IP Rating	Lumens
SLDIGK-4WW	4 x LEDs @0.75W Warm White	1 x 3.7v 2200mAh Lithium	5W Separate Polycrystalline	Panel = 65 Lights = 67	70 @ 1m

Features:

- Die-Cast Aluminium
- Approximately 8-10 hours Operation
- 100kg Max Walk Over Pressure
- On/Off Switch
- Recessed Mounting Position
- Moulded Cable Joining Solar Panel & Lights
- 4Way Direction Hood for increased Light Dispersion

1 Year Warranty!



Packaged Fitting Weight & Dimensions

W: 2.2kg

D: 30cm x 20cm x 12cm

Residential Range

Wall Lights

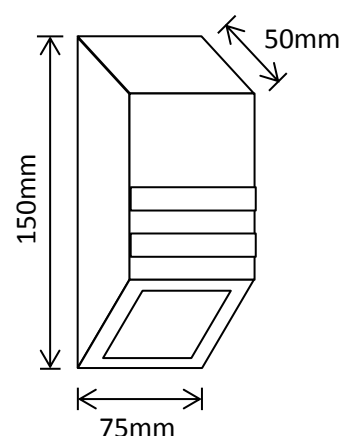
Flush Mount Wall Light

Product Code	LED's	Battery	Solar Panel	IP Rating	Lumens
SLDWL0099A /BLK-WW	1 x SMD LED @0.3W (WW) 1 x SMD LED @0.7W (WW)	1 x 3.2v 500mAh Lithium	1W Integrated Polycrystalline	65	40 @ 1m
SLDWL0099A /SS-WW	1 x SMD LED @0.3W (WW) 1 x SMD LED @0.7W (WW)	1 x 3.2v 500mAh Lithium	1W Integrated Polycrystalline	65	40 @ 1m
SLDWL0099A /SS-CW	1 x SMD LED @0.3W (CW) 1 x SMD LED @0.7W (CW)	1 x 3.2v 500mAh Lithium	1W Integrated Polycrystalline	65	40 @ 1m

Features:

- Pyro-electric Infrared Sensor
- Approximately 8-10 hours Operation
- Self-adjusting run time on Sensor
- Flush Wall Mount Base

1 Year Warranty!



Packaged Fitting Weight & Dimensions

W: 0.3kg

D: 18cm x 9cm x 7cm

Residential Range

Wall Lights

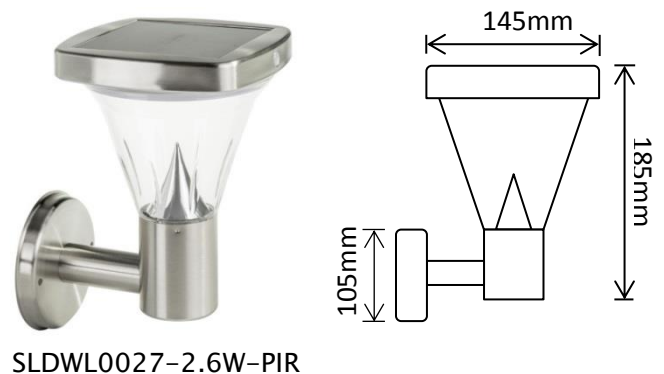
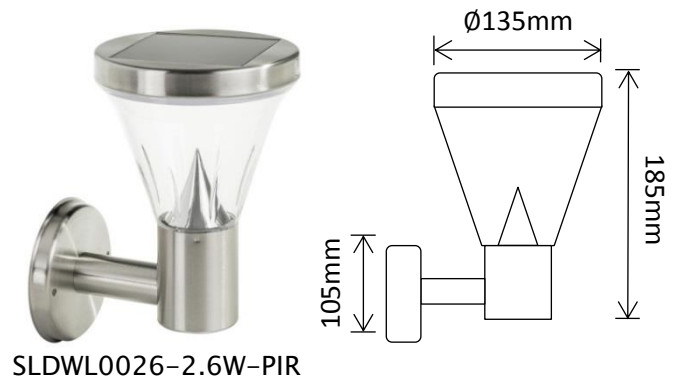
Modern Wall Light

Product Code	LED's	Battery	Solar Panel	IP Rating	Lumens
SLDWL0026-PIR	12 x SMD LED @0.2W (CW) 1 x SMD LED @0.2W (WW)	3 x 1.2v 800mAh Ni-MH	0.6W Integrated Polycrystalline	44	350 @ 1m
SLDWL0027-PIR	12 x SMD LED @0.2W (CW) 1 x SMD LED @0.2W (WW)	3 x 1.2v 1500mAh Ni-MH	1W Integrated Polycrystalline	44	350 @ 1m

Features:

- Pyro-electric Infrared Sensor
- Stainless Steel Construction
- Approximately 6-8 hours Operation
- Approximately 1 minute Sensor Run Time
- Wall Mounting Bracket
- UV-Stabilised PVC Lens

1 Year Warranty!



Packaged Fitting Weight & Dimensions

W: 0.6kg

D: 20cm x 15cm x 16cm

Residential Range

Wall Lights

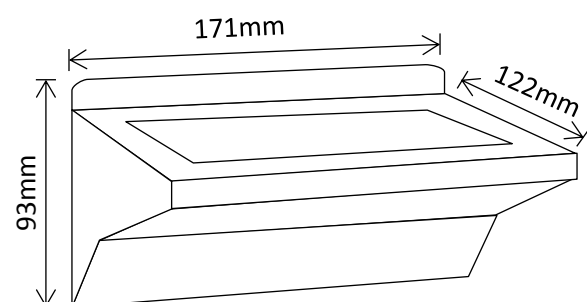
Flush Mount Wall Light

Product Code	LED's	Battery	Solar Panel	IP Rating	Lumens
SLDWL0022/ BLK	21 x LED @0.2W Warm White	1 x 3.7v 2200mAh Lithium	5V 2W Integrated Polycrystalline	44	200 @ 1m
SLDWL0022/ SS	21 x LED @0.2W Warm White	1 x 3.7v 2200mAh Lithium	5V 2W Integrated Polycrystalline	44	200 @ 1m

Features:

- Pyro-electric Infrared Sensor
- Black P.C. or Stainless Steel Finish
- Approximately 6-9 Hours Operation
- Flush Wall Mount Base
- 3 Operation Settings:
 - Brightness setting 1:** 40LM until sensor triggered then 150LM
 - Brightness setting 2:** Off until sensor triggered then 200LM
 - Brightness setting 3:** 30LM always on

1 Year Warranty!



Packaged Fitting Weight & Dimensions

W: 0.4kg

D: 17cm x 10cm x 12cm

Residential Range

Wall Lights

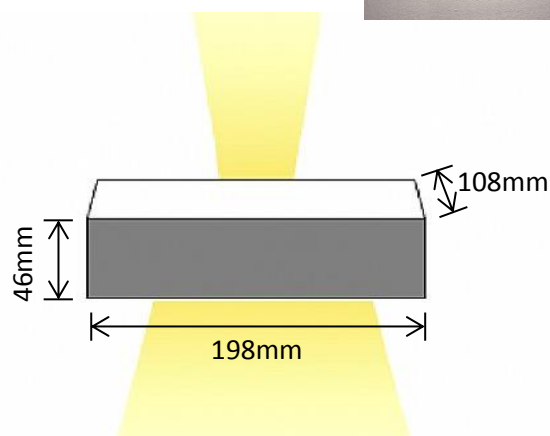
Up/Down Wall Light

Product Code	LED's	Battery	Solar Panel	IP Rating	Lumens
SLDWL228/B LK-WW	19 x SMD LED @0.2W Warm White	1 x 3.7v 4400mAh Lithium	2W Integrated Polycrystalline	44	500 @ 1m
SLDWL228/SI L-WW	19 x SMD LED @0.2W Warm White	1 x 3.7v 4400mAh Lithium	2W Integrated Polycrystalline	44	500 @ 1m

Features:

- Black P.C. or Stainless Steel Finish
- Approximately 10-12 hours Operation
- Up and Down Lighting
- Machined Aluminium
- On/Off Switch

1 Year Warranty!



Packaged Fitting Weight & Dimensions

W: 0.8kg

D: 25cm x 16cm x 7cm

Residential Range

Wall Lights

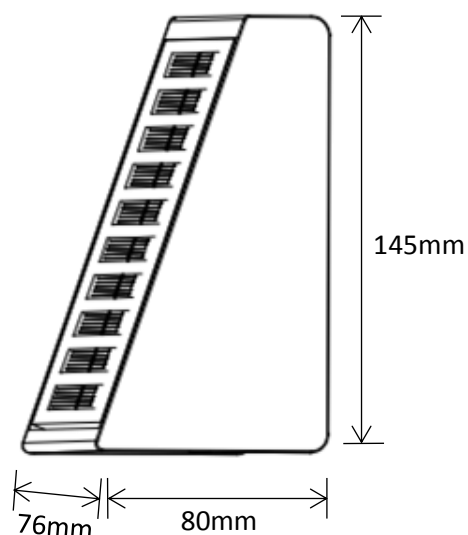
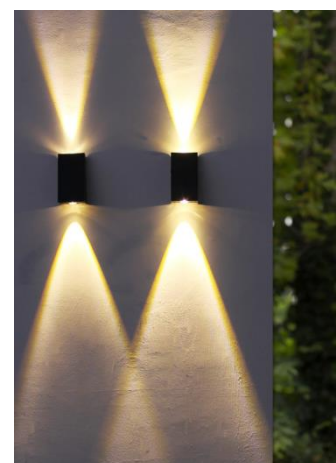
Up/Down Wall Light

Product Code	LED's	Battery	Solar Panel	IP Rating	Lumens
SLDWL02/BLK -WW	2 x 1W SMD LED Warm White	1 x 3.7v 2200mAh Lithium	1.3W Integrated Polycrystalline	44	100 @ 1m

Features:

- Black P.C. Finish
- Approximately 10-12 hours Operation
- Up and Down Lighting
- Machined Aluminium
- On/Off Switch

1 Year Warranty!



Packaged Fitting Weight & Dimensions

W: 1kg
D: 14cm x 8.5cm x 20.5cm

Residential Range

Wall Lights

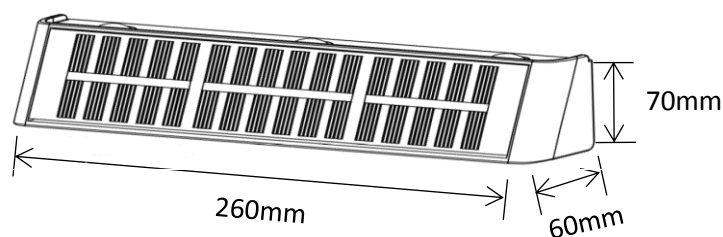
Up/Down Wall Light

Product Code	LED's	Battery	Solar Panel	IP Rating	Lumens
SLDWL328/BLK -WW	6 x 1W SMD LED Warm White	1 x 3.7v 4400mAh Lithium	2W Integrated Polycrystalline	44	300 @ 1m

Features:

- Black P.C. Finish
- Approximately 10-12 hours Operation
- Up and Down Lighting
- Machined Aluminium
- On/Off Switch

1 Year Warranty!



Packaged Fitting Weight & Dimensions

W: 1kg

D: 29cm x 10.5cm x 8.5cm

Residential Range

Wall Lights

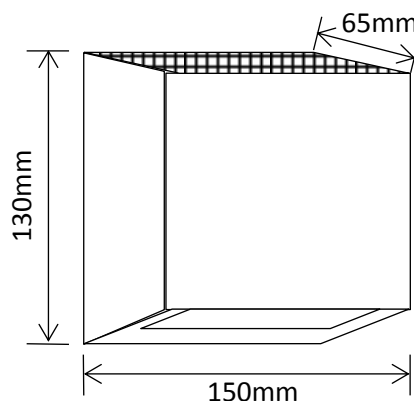
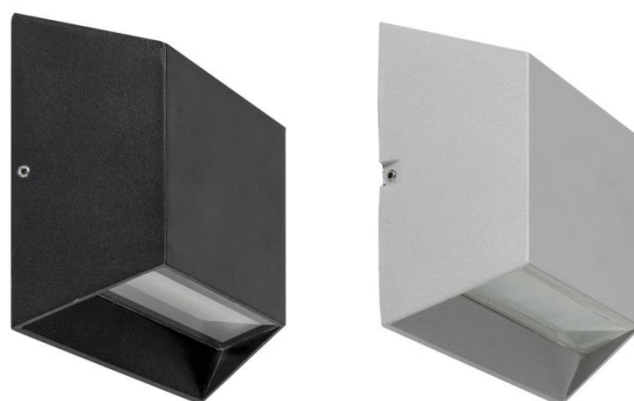
Wall Light

Product Code	LED's	Battery	Solar Panel	IP Rating	Lumens
SLDWL01 /BLK -WW	10 x LED @0.75W Warm White	1 x 3.7v 2200mAh Lithium	0.8W Integrated Polycrystalline	65	60 @ 1m
SLDWL01 /SIL- WW	10 x LED @0.75W Warm White	1 x 3.7v 2200mAh Lithium	0.8W Integrated Polycrystalline	65	60 @ 1m

Features:

- Die Cast Aluminium; Black P.C. or Silver P.C. Finish
- Approximately 10-12 hours Operation per day
- On/Off Switch

1 Year Warranty!



Packaged Fitting Weight & Dimensions

W: 0.6kg

D: 15cm x 15cm x 7cm

Residential Range

Wall Lights

Traditional Wall Light

Product Code	LED's	Battery	Solar Panel	IP Rating	Lumens
SLDWL0012A-PIR	18 x SMD @0.2W (CW) 1 x SMD @0.2W (WW)	1 x 3.7v 2200mAh Lithium	2.4W Integrated Polycrystalline	44	200 @ 1m
SLDWL0009A-PIR	18 x SMD @0.2W (CW) 1 x SMD @0.2W (WW)	1 x 3.7v 2200mAh Lithium	2.4W Integrated Polycrystalline	44	200 @ 1m

Features:

- Pyro-electric Infrared Sensor
- Aluminium Alloy Construction
- Manual Over-ride on Sensor
- Approximately 8-10 hours Operation
- Approximately 1 minute Sensor duration
- Wall Mounting Bracket
- Glass Lampshade Panels
- Black P.C. Finish

1 Year Warranty!

Packaged Fitting Weight & Dimensions

W: 3kg
D: 31cm x 31cm x 48cm

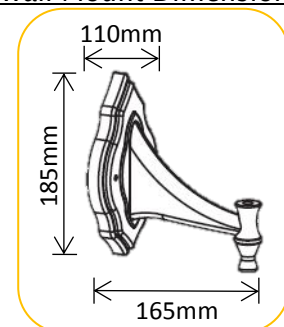
SLDWL0012A-3.8W-PIR



SLDWL0009A-3.8W-PIR



Wall Mount Dimensions



Residential Range

Wall Lights

Traditional Wall Light

Product Code	LED's	Battery	Solar Panel	IP Rating	Lumens
SLDWL0018A-PIR	30 x SMD @0.2W (CW) 1 x SMD @0.2W (WW)	1 x 3.7v 4400mAh Lithium	4W Integrated Polycrystalline	44	350 @ 1m
SLDWL0008A-PIR	30 x SMD @0.2W (CW) 1 x SMD @0.2W (WW)	1 x 3.7v 4400mAh Lithium	4W Integrated Polycrystalline	44	350 @ 1m

Features:

- Pyro-electric Infrared Sensor
- Aluminium Alloy Construction
- Manual Over-ride on Sensor
- Approximately 8-10 hours Operation
- Approximately 1 minute Sensor duration
- Wall Mounting Bracket
- Glass Lampshade Panels
- Black P.C. Finish

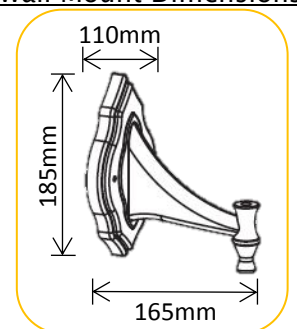
SLDWL0018A-6.2W-PIR



SLDWL0008A-6.2W-PIR



Wall Mount Dimensions



Packaged Fitting Weight & Dimensions

W: 3.3kg
D: 35cm x 33cm x 32.5cm

Residential Range

Wall Lights

Traditional Wall Light

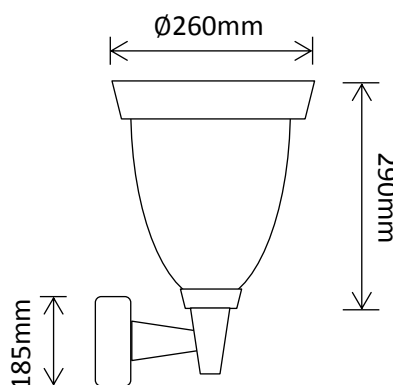
Product Code	LED's	Battery	Solar Panel	IP Rating	Lumens
SLDWL0007A-PIR	30 x SMD @0.2W (CW) 1 x SMD @0.2W (WW)	1 x 3.7v 4400mAh Lithium	3W Integrated Polycrystalline	44	350 @ 1m

Features:

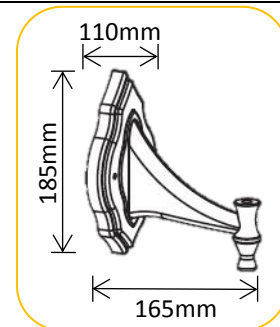
- Pyro-electric Infrared Sensor
- Aluminium Alloy Construction
- Manual Over-ride on Sensor
- Approximately 8-10 hours Operation
- Approximately 1 minute Sensor duration
- Wall Mounting Bracket
- Glass Lampshade Panels
- Black P.C. Finish



1 Year Warranty!



Wall Mount Dimensions



Packaged Fitting Weight & Dimensions

W: 3.3kg

D: 33cm x 32cm x 38cm

Residential Range

Bollard Lights

Bollard Light

Product Code	LED's	Battery	Solar Panel	IP Rating	Lumens
SLDBL0026-PIR	12 x SMD LED @0.2W (CW) 1 x SMD LED @0.2W (WW)	3 x 1.2v 800mAh Ni-MH	0.6W Integrated Polycrystalline	44	350 @ 1m
SLDBL0027-PIR	12 x SMD LED @0.2W (CW) 1 x SMD LED @0.2W (WW)	3 x 1.2v 1500mAh Ni-MH	1W Integrated Polycrystalline	44	350 @ 1m

Features:

- Pyro-electric Infrared Sensor
- Stainless Steel Construction
- Approximately 6-8 hours Operation
- Approximately 1 minute Sensor Run Time
- UV-Stabilised PVC Lens
- Spike & Surface Mount Option with Stainless Steel Trim

1 Year Warranty!

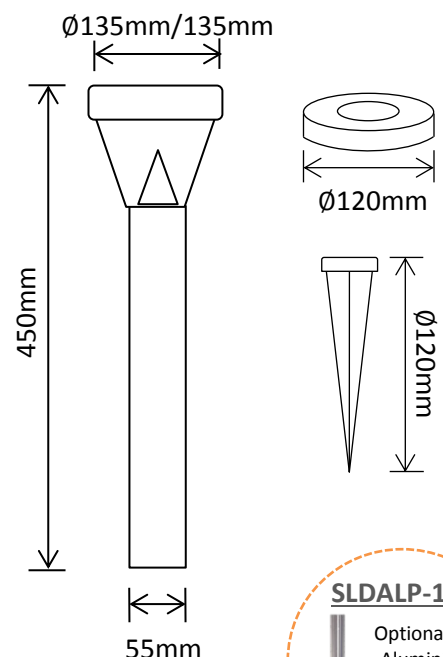
Packaged Fitting Weight & Dimensions

W: 0.9kg

D: 48cm x 15cm x 16cm



SLDBL0026-2.6W-PIR
(Round Head)



SLDBL0027-2.6W-PIR
(Square Head)



Residential Range

Bollard Lights

Bollard Light

Product Code	LED's	Battery	Solar Panel	IP Rating	Lumens
SLDBL0093-CW	12 x SMD LED @0.2W (CW)	1 x 6.4v 1400mAh Lithium	3W Integrated Polycrystalline	44	4 x Brightness Settings
SLDBL0094-CW	12 x SMD LED @0.2W (CW)	1 x 3.7v 4400mAh Lithium	2W Integrated Polycrystalline	44	200 @ 1m

Features:

- UV Stabilized Poly-Carbonate Construction
- Spike or Surface Mounted
- SLDBL0093-S1-2.4W =
 - o 4 x Brightness Settings; 50, 100, 150 & 200 Lumens
 - o Approximately 6-8 hours Operation
- SLDBL0094-S1-2.4W =
 - o 1 x Brightness Setting; 200 Lumens
 - o Approximately 6-8 hours Operation

1 Year Warranty!

Packaged Fitting Weight & Dimensions

W: 1.6kg

D: 39cm x 24cm x 21cm

SLDBL0093-S1-2.4W
(Square Head)



SLDBL0094-S1-2.4W
(Round Head)



Residential Range

Bollard Lights

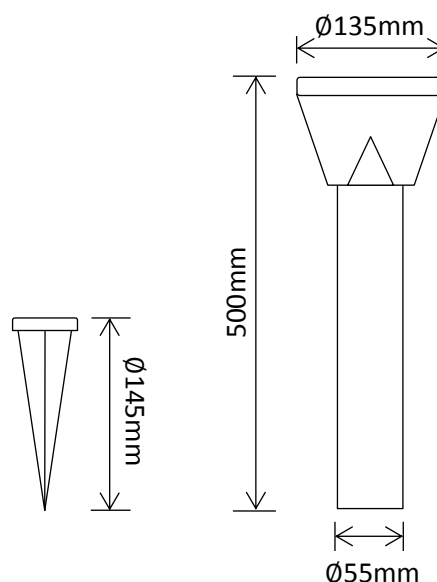
2 Pack Bollard Light

Product Code	LED's	Battery	Solar Panel	IP Rating	Lumens
SLDBL0026B -WW	4 x SMD LED @0.2W (WW)	1 x 1.2v 1500mAh Ni-MH	0.6W Integrated Polycrystalline	44	20 @ 1m

Features:

- UV Stabilized Poly-Carbonate Construction
- Approximately 8-10 hours Operation
- Spike or Surface Mounted
- UV-Stabilised PVC Lens
- 2 Lights per package

1 Year Warranty!



Packaged Fitting Weight & Dimensions

W: 1.2kg

D: 53cm x 32cm x 15cm

SLDALP-100

Optional 1m
Aluminium
Extension post to
suit Residential
Bollards

Residential Range

Bollard Lights

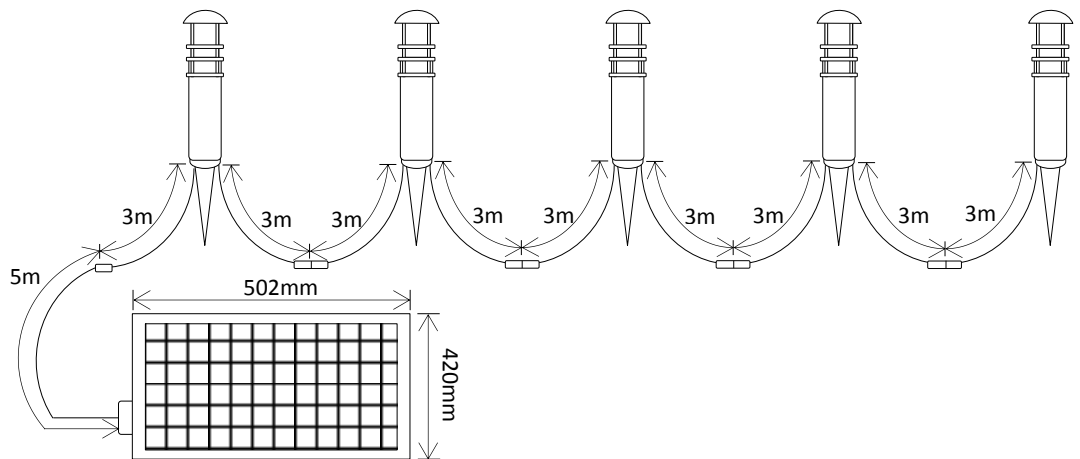
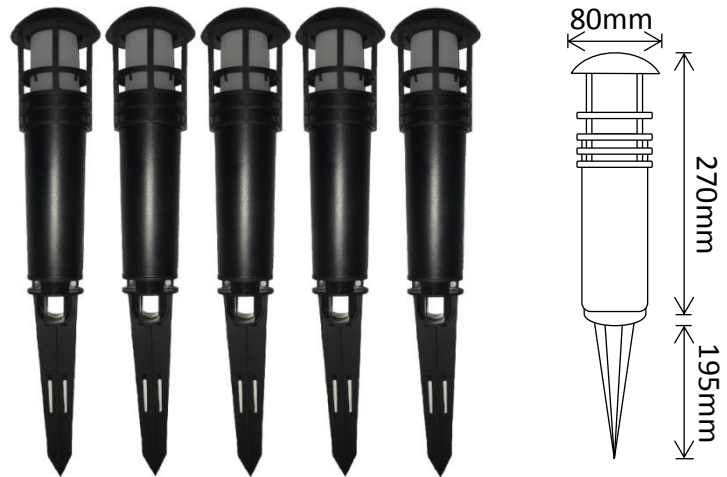
Bollard Light Kit

Product Code	LED's	Battery	Solar Panel	IP Rating	Lumens
SLDBLK-5	1 x COB LED @3Wea (WW)	1 x 12.8v 12000mAh	18v 30W Remote Polycrystalline	65	140 @ 1m

Features:

- Moulded P.C. Construction
- Approximately 6-8 hours Operation
- Spike Mounted base

1 Year Warranty!



Packaged Fitting Weight & Dimensions

W: 7.7kg

D: 54cm x 43cm x 17cm

Residential Range

Bollard Lights

2 in 1 Bollard to Post Light

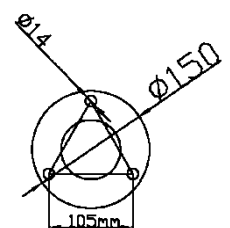
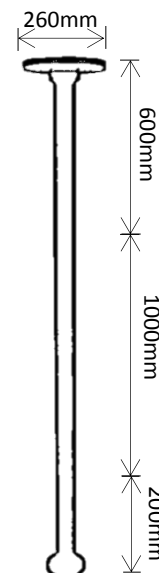
Product Code	LED's	Battery	Solar Panel	IP Rating	Lumens
SLDBLP006 /BLK-DC	36 x SMD LEDs @ 0.2W ea (Dual Colour)	1 x 6.4v 4500mAh Lithium	4W Integrated Polycrystalline	65	250 @ 1m

Features:

- High Quality Machined Aluminium
- Approximately 6-8 hours Operation
- Two height options
- Dual Colour
- Surface Mounted base

1 Year Warranty!

What's included...



Packaged Fitting Weight & Dimensions

W: 5.7kg

D: 114cm x 32cm x 32cm

Residential Range

Post Lights

Single Post Light

Product Code	LED's	Battery	Solar Panel	IP Rating	Lumens
SLDPL0012A -PIR	18 x SMD @0.2W (CW) 1 x SMD @0.2W (WW)	1 x 3.7v 2200mAh Lithium	2.4W Integrated Polycrystalline	44	200 @ 1m
SLDPL0009A -PIR	18 x SMD @0.2W (CW) 1 x SMD @0.2W (WW)	1 x 3.7v 2200mAh Lithium	2.4W Integrated Polycrystalline	44	200 @ 1m

Features:

- Pyro-electric Infrared Sensor
- Aluminium Alloy Construction
- Manual Over-ride on Sensor
- Approximately 1 minute Sensor Run Time
- Approximately 6-8 hours Operation
- Reeded Aluminium Post
- Decorative Mounting Base
- Glass Lampshade Panels
- Black P.C. Finish

1 Year Warranty!

Packaged Fitting Weight & Dimensions

W: 4.8kg

D: 38cm x 31cm x 62.5cm

SLDPL0012A-3.8W-PIR



SLDPL0009A-3.8W-PIR



Residential Range

Post Lights

Single Post Light

Product Code	LED's	Battery	Solar Panel	IP Rating	Lumens
SLDPL0018A-PIR	30 x SMD @0.2W (CW) 1 x SMD @0.2W (WW)	1 x 3.7v 4400mAh Lithium	4W Integrated Polycrystalline	44	350 @ 1m
SLDPL0008A-PIR	30 x SMD @0.2W (CW) 1 x SMD @0.2W (WW)	1 x 3.7v 4400mAh Lithium	4W Integrated Polycrystalline	44	350 @ 1m

Features:

- Pyro-electric Infrared Sensor
- Aluminium Alloy Construction
- Manual Over-ride on Sensor
- Approximately 1 minute Sensor Run Time
- Approximately 6-8 hours Operation
- Reeded Aluminium Post
- Decorative Mounting Base
- Glass Lampshade Panels
- Black P.C. Finish

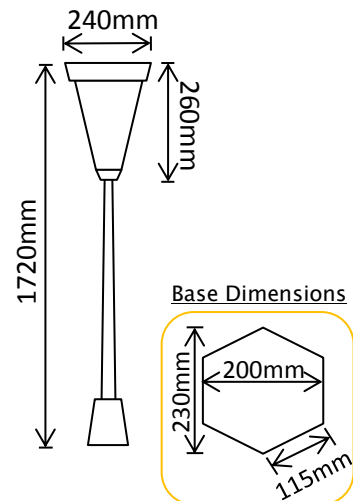
1 Year Warranty!

Packaged Fitting Weight & Dimensions

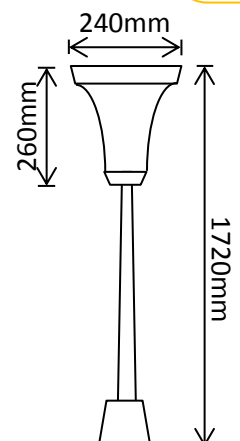
W: 5.4kg

D: 37cm x 32cm x 62cm

SLDPL0018A-6.2W-PIR



SLDPL0008A-6.2W-PIR



Residential Range

Post Lights

Single Post Light

Product Code	LED's	Battery	Solar Panel	IP Rating	Lumens
SLDPL0007A-PIR	30 x SMD @0.2W (CW) 1 x SMD @0.2W (WW)	1 x 3.7v 4400mAh Lithium	3W Integrated Polycrystalline	44	350 @ 1m

Features:

- Pyro-electric Infrared Sensor
- Aluminium Alloy Construction
- Manual Over-ride on Sensor
- Approximately 1 minute Sensor Run Time
- Approximately 6-8 hours Operation
- Reeded Aluminium Post
- Decorative Mounting Base
- Glass Lampshade Panels
- Black P.C. Finish

1 Year Warranty!

Packaged Fitting Weight & Dimensions

W: 5.3kg

D: 37cm x 32cm x 62cm



Residential Range

Post Lights

Double Post Light

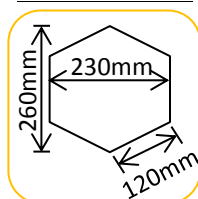
Product Code	LED's	Battery	Solar Panel	IP Rating	Lumens
SLDPL0012B	18 x SMD @0.2W (CW) 1 x SMD @0.2W (WW)	2 x 3.7v 2200mAh Lithium	2.4W Integrated Polycrystalline	44	200 @ 1m
SLDPL0009B	18 x SMD @0.2W (CW) 1 x SMD @0.2W (WW)	2 x 3.7v 2200mAh Lithium	2.4W Integrated Polycrystalline	44	200 @ 1m

Features:

- Aluminium Alloy Construction
- Approximately 6-8 hours Operation
- High/Low Setting
- Tapered Aluminium Post
- Decorative Mounting Base
- Glass Lampshade Panels
- Black P.C. Finish

1 Year Warranty!

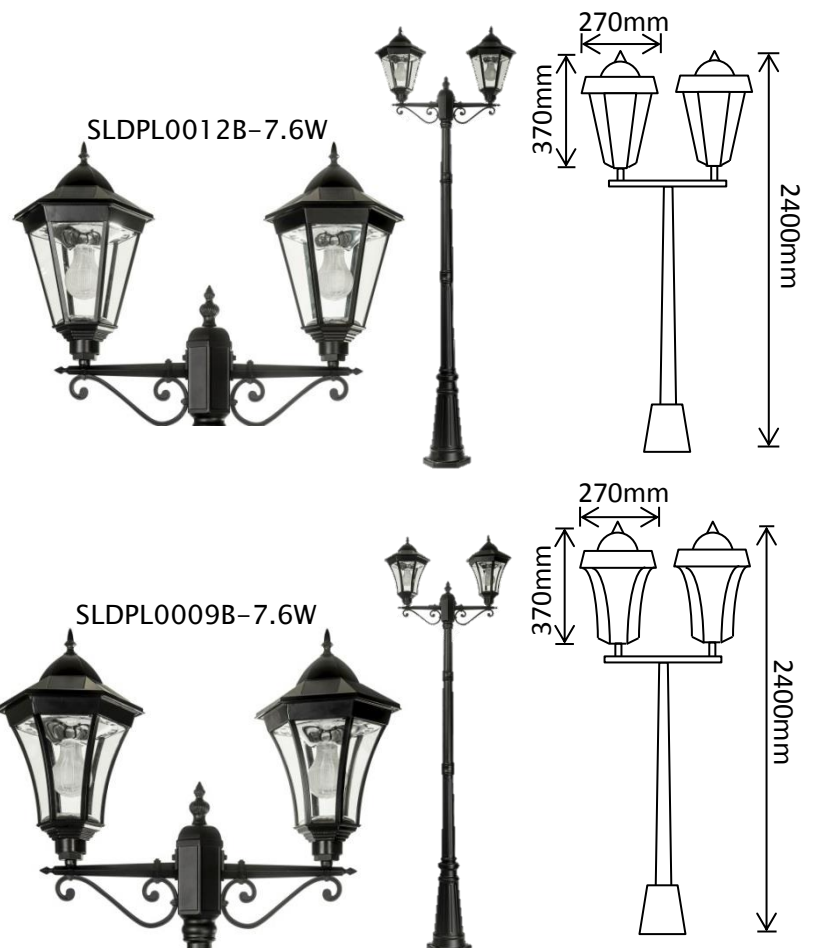
Base Dimensions



Packaged Fitting Weight & Dimensions

W: 10.9kg

D: 77cm x 73cm x 32cm



Residential Range

Post Lights

Double Post Light

Product Code	LED's	Battery	Solar Panel	IP Rating	Lumens
SLDPL0018B	30 x SMD @0.2W (CW) 1 x SMD @0.2W (WW)	2 x 3.7v 4400mAh Lithium	4W Integrated Polycrystalline	44	350 @ 1m
SLDPL0008B	30 x SMD @0.2W (CW) 1 x SMD @0.2W (WW)	2 x 3.7v 4400mAh Lithium	4W Integrated Polycrystalline	44	350 @ 1m

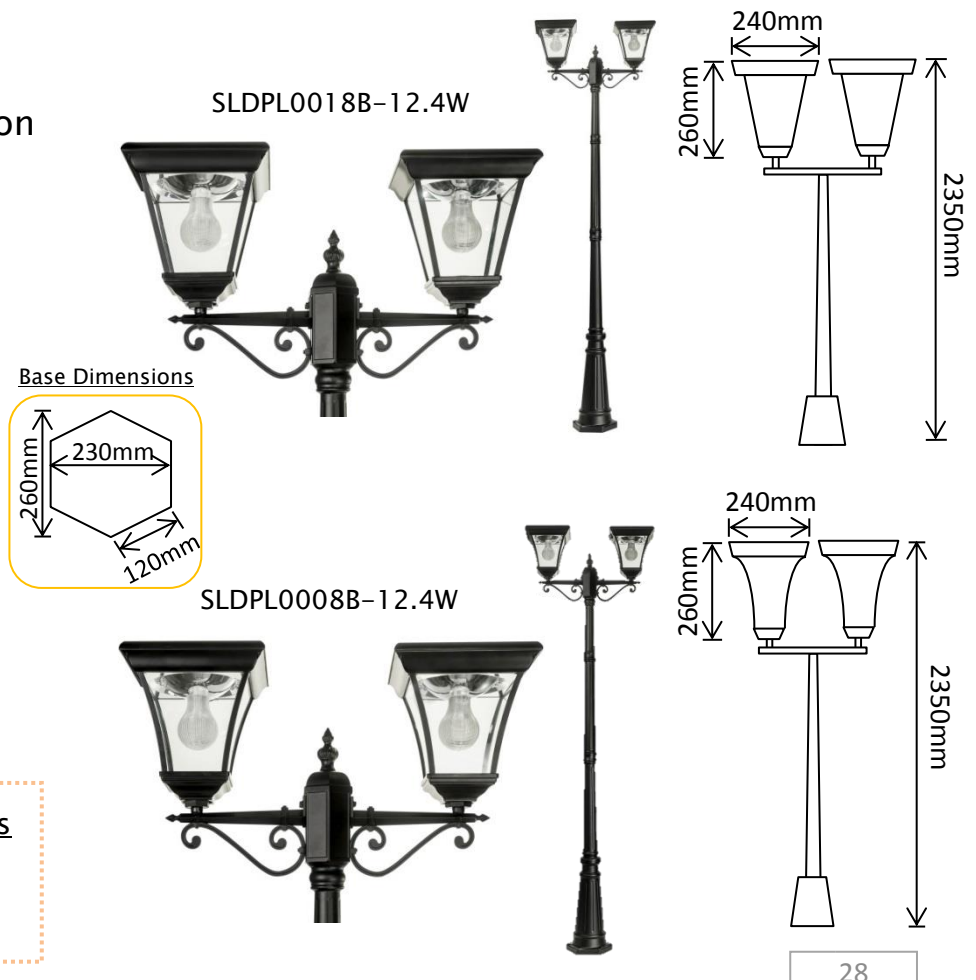
Features:

- Aluminium Alloy Construction
- Approximately 6–8 hours Operation
- High/Low Setting
- Tapered Aluminium Post
- Decorative Mounting Base
- Glass Lampshade Panels
- Black P.C. Finish

1 Year Warranty!

Packaged Fitting Weight & Dimensions

W: 11.6kg
D: 73cm x 73cm x 16cm



Residential Range

Post Lights

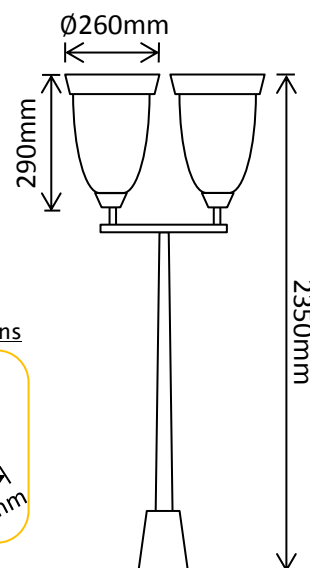
Double Post Light

Product Code	LED's	Battery	Solar Panel	IP Rating	Lumens
SLDPL0007B	30 x SMD @0.2W (CW) 1 x SMD @0.2W (WW)	2 x 3.7v 4400mAh Lithium	3W Integrated Polycrystalline	44	350 @ 1m

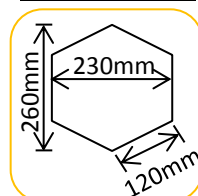
Features:

- Aluminium Alloy Construction
- Approximately 6-8 hours Operation
- High/Low Setting
- Tapered Aluminium Post
- Decorative Mounting Base
- Glass Lampshade Panels
- Black P.C. Finish

1 Year Warranty!



Base Dimensions



Packaged Fitting Weight & Dimensions

W: 11.6kg

D: 74cm x 73cm x 33cm

Residential Range

Post Lights

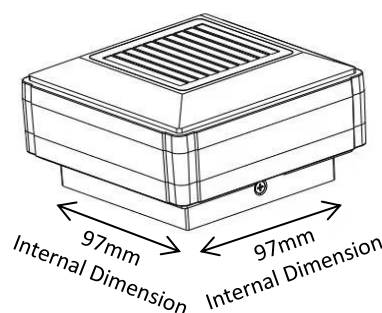
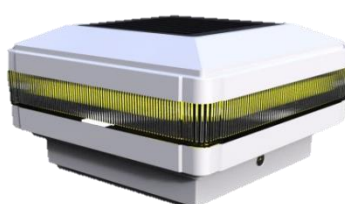
Post Top – FTYP (Fit to Your Post)

Product Code	LED's	Battery	Solar Panel	IP Rating	Lumens
SLDPT3W/BLK -WW	SMD LED 3W (WW)	1 x 3.7v 2200mAh Lithium	1.2W Integrated Polycrystalline	65	150 @ 1m
SLDPT3W/WH T-CW	SMD LED 3W (CW)	1 x 3.7v 2200mAh Lithium	1.2W Integrated Polycrystalline	65	150 @ 1m

Features:

- ABS Resin Construction
- Approximately 12 hours Operation
- Includes fixing bracket for posts/poles smaller than 97mm
- Colour – Black or White

1 Year Warranty!



Packaged Fitting Weight & Dimensions

W: 0.4kg

D: 14cm x 14cm x 8cm

Pillar Lights

Traditional Pillar Light

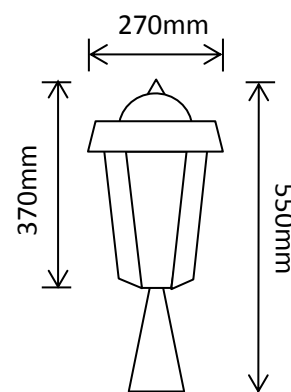
Product Code	LED's	Battery	Solar Panel	IP Rating	Lumens
SLDPIL0012A-PIR	18 x SMD @0.2W (CW) 1 x SMD @0.2W (WW)	1 x 3.7v 2200mAh Lithium	2.4W Integrated Polycrystalline	44	200 @ 1m
SLDPIL0009A-PIR	18 x SMD @0.2W (CW) 1 x SMD @0.2W (WW)	1 x 3.7v 2200mAh Lithium	2.4W Integrated Polycrystalline	44	200 @ 1m

Features:

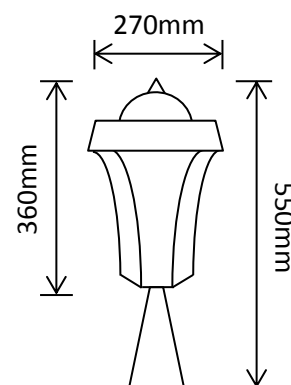
- Pyro-electric Infrared Sensor
- Aluminium Alloy Construction
- Manual Over-ride on Sensor
- Approximately 1 minute Sensor Run Time
- Approximately 6-8 hours Operation
- Decorative Surface Mounted Base
- Glass Lampshade Panels
- Black P.C. Finish

1 Year Warranty!

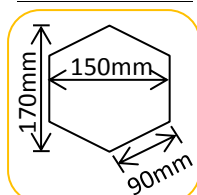
SLDPIL0012A-3.8-PIR



SLDPIL0009A-3.8-PIR



Base Dimensions



Packaged Fitting Weight & Dimensions

W: 3kg

D: 31cm x 31cm x 48cm

Residential Range

Pillar Lights

Traditional Pillar Light

Product Code	LED's	Battery	Solar Panel	IP Rating	Lumens
SLDPIL0018A-PIR	30 x SMD @0.2W (CW) 1 x SMD @0.2W (WW)	1 x 3.7v 4400mAh Lithium	4W Integrated Polycrystalline	44	350 @ 1m
SLDPIL0008A-PIR	30 x SMD @0.2W (CW) 1 x SMD @0.2W (WW)	1 x 3.7v 4400mAh Lithium	4W Integrated Polycrystalline	44	350 @ 1m

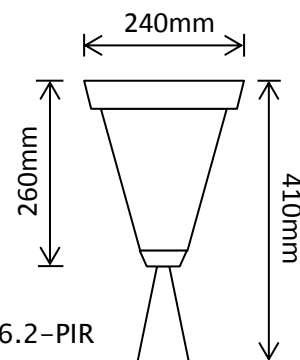
Features:

- Pyro-electric Infrared Sensor
- Aluminium Alloy Construction
- Manual Over-ride on Sensor
- Approximately 1 minute Sensor Run Time
- Approximately 6-8 hours Operation
- Decorative Surface Mounted Base
- Glass Lampshade Panels
- Black P.C. Finish

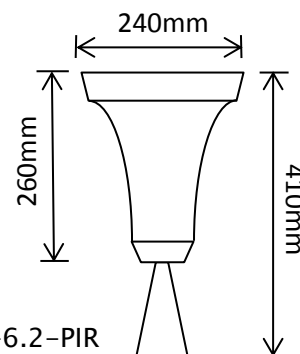
1 Year Warranty!



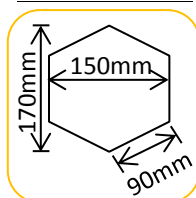
SLDPIL0018A-6.2-PIR



SLDPIL0008A-6.2-PIR



Base Dimensions



Packaged Fitting Weight & Dimensions

W: 3.3kg

D: 35cm x 33cm x 32.5cm

Pillar Lights

Traditional Pillar Light

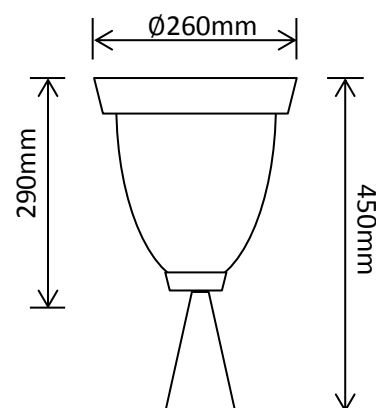
Product Code	LED's	Battery	Solar Panel	IP Rating	Lumens
SLDPIL0007A-PIR	30 x SMD @0.2W (CW) 1 x SMD @0.2W (WW)	1 x 3.7v 4400mAh Lithium	3W Integrated Polycrystalline	44	350 @ 1m

Features:

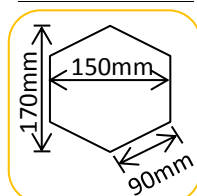
- Pyro-electric Infrared Sensor
- Aluminium Alloy Construction
- Manual Over-ride on Sensor
- Approximately 1 minute Sensor Run Time
- Approximately 6-8 hours Operation
- Decorative Surface Mounted Base
- Glass Lampshade Panels
- Black P.C. Finish



1 Year Warranty!



Base Dimensions



Packaged Fitting Weight & Dimensions

W: 3.3kg

D: 33cm x 32cm x 38cm

Residential Range

Flood Lights

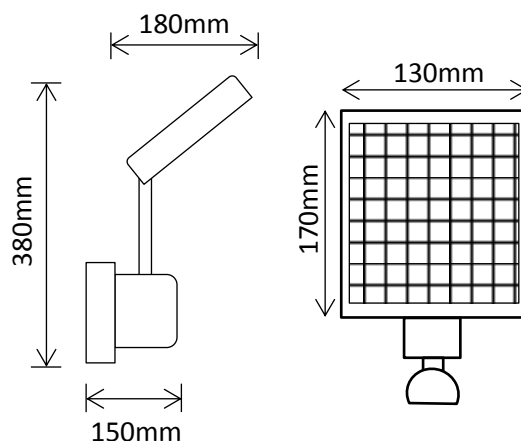
Flood Light with Motion Sensor

Product Code	LED's	Battery	Solar Panel	IP Rating	Lumens
SLDFL0004C-PIR-WW	20 x SMD @0.2W (WW)	1 x 3.7v 2200mAh Lithium	2.5W Separate Polycrystalline	44	550 @ 1m
SLDFL0004C-PIR-CW	20 x SMD @0.2W (CW)	1 x 3.7v 2200mAh Lithium	2.5W Separate Polycrystalline	44	550 @ 1m

Features:

- Approximately 4-6 hours Operation
- Pyro-electric Infrared Sensor
- Sensitivity Adjustable
- Time Adjustable
- 180 Degree Sensor Adjustment
- 360 Degree Light Adjustment
- Wall Mounting Bracket
- Colour - Black

1 Year Warranty!



Packaged Fitting Weight & Dimensions

W: 1.5kg

D: 24cm x 23cm x 22cm

Residential Range

Flood Lights

Flood Light with Motion Sensor

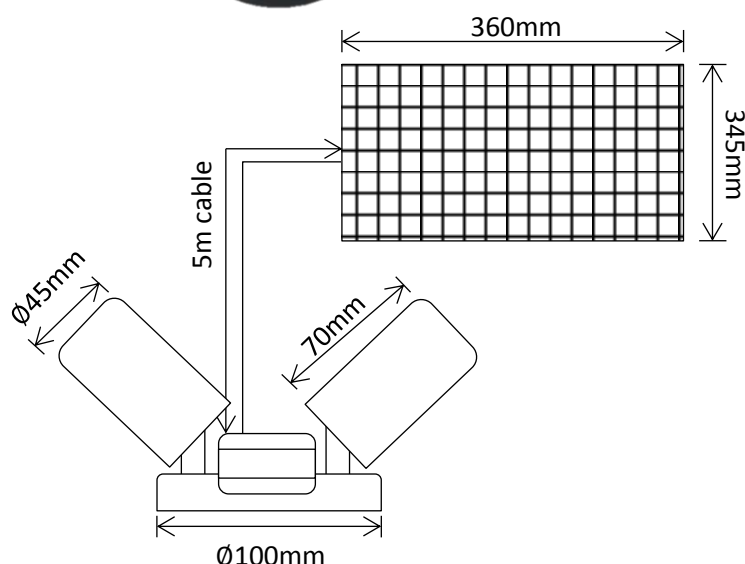
Product Code	LED's	Battery	Solar Panel	IP Rating	Lumens
SLDFL25W-PIR-CW	2 x COB @5W (CW)	1 x 12v 5200mAh	15W Separate Polycrystalline	65	500 @ 1m

Features:

- Approximately 6-8-hours Operation
- Pyro-electric Infrared Sensor
- Sensitivity Adjustable
- Time Adjustable
- Remote Control Operation
- 180 Degree Sensor Adjustment
- 360 Degree Light Adjustment
- Wall Mounting Bracket
- Colour - Black



1 Year Warranty!



Packaged Fitting Weight & Dimensions

W: 4.8kg

D: 47cm x 37cm x 20cm

Residential Range

Flood Lights

Flood Light with IP Camera

Product Code	LED's	Battery	Solar Panel	IP Rating	Lumens
SLDFL007 /BLK-WW	10W LED Panel (WW)	1 x 3.7v 8800mAh Lithium	20W Separate Polycrystalline	65	1000 @ 1m
SLDFL007 /WHT-WW	10W LED Panel (WW)	1 x 3.7v 8800mAh Lithium	20W Separate Polycrystalline	65	1000 @ 1m

Features:

- 120° Rotatable Design
- Microwave Motion Sensor Range: 10m
- Concealed installation
- Internet Protocol (IP) with Wi-Fi
- 3 Mega Pixel Camera
- 24/7 Recording Capability
- In-House Storage → 32GB TF Card
- Smart Phone Connectivity via APP



1 Year Warranty!

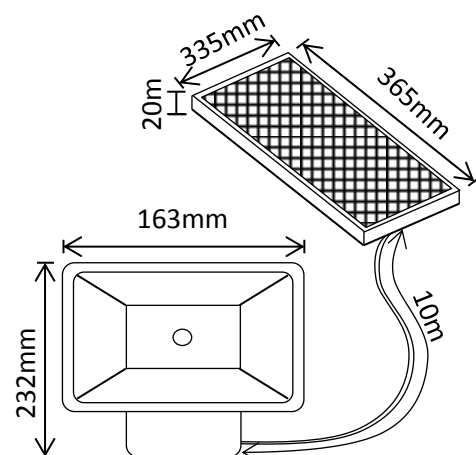
3 Modes of Operation:

- **Mode 1:** Operate at 25% brightness until motion is detected, then run for approx. 30 secs at 100% brightness or until no further movement is detected
- **Mode 2:** OFF until motion is detected, then run for approx. 30 secs at 100% or until no further movement is detected
- **Mode 3:** Operate at 50% brightness from dusk to dawn or until battery is discharged (Sensor Bypass Mode)

Packaged Fitting Weight & Dimensions

W: 2.9kg

D: 36cm x 36cm x 15cm



Residential Range

Garden Spot Lights

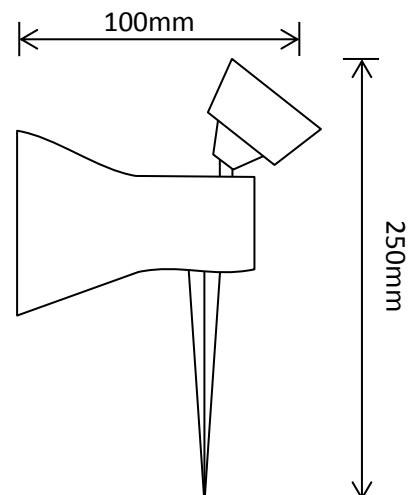
Garden Spot Light

Product Code	LED's	Battery	Solar Panel	IP Rating	Lumens
SLDGS0052	9 x SMD @0.2W (WW)	1 x 1.2v 1500mAh Ni-MH	0.5W Attached Polycrystalline	44	60 @ 1m

Features:

- Approximately 6-8hours Operation
- Spike or Surface Mount Option
- On/Off Switch
- High/Low Brightness Setting

1 Year Warranty!



Packaged Fitting Weight & Dimensions

W: 0.3kg

D: 13cm x 13cm x 18cm

Residential Range

Garden Spot Lights

High Output Garden Spot Light

Product Code	LED's	Battery	Solar Panel	IP Rating	Lumens
SLDGS0053-WW	4 x SMD @0.5W (WW)	1 x 3.7v 2200mAh	1.5W Attached Polycrystalline	44	80-200 @ 1m
SLDGS0053-CW	4 x SMD @0.5W (CW)	1 x 3.7v 2200mAh	1.5W Attached Polycrystalline	44	80-200 @ 1m
SLDGS0053-RGB	4 x SMD @0.5W (Red, Green, Blue)	1 x 3.7v 2200mAh	1.5W Attached Polycrystalline	44	80-200 @ 1m

Features:

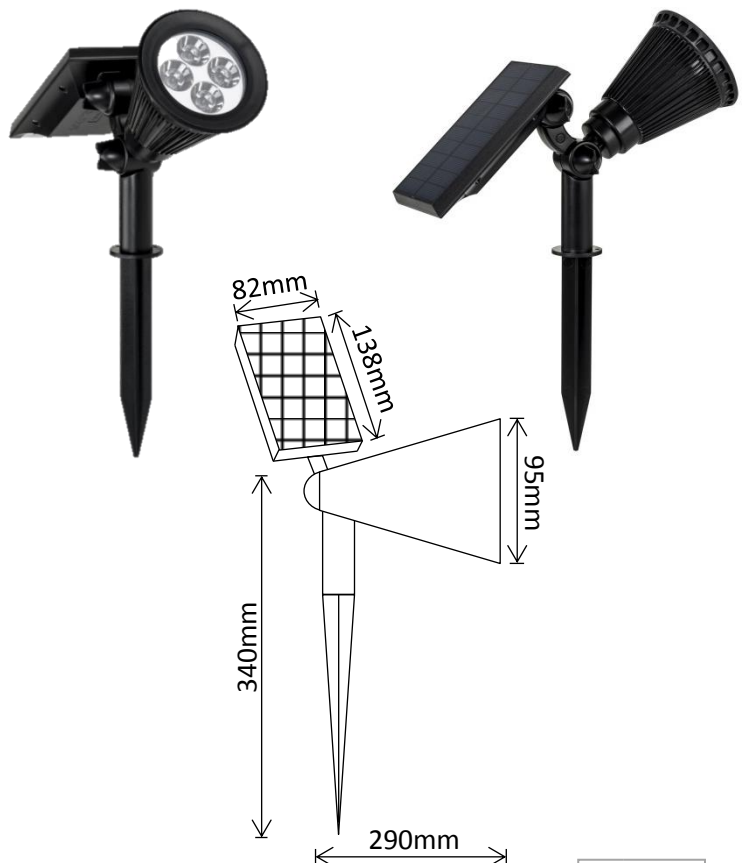
- Approximately 6-8 hours Operation
- On/Off Switch
- High/Low Brightness Setting
- Spike or Surface Mount Option
- Adjustable Solar Panel
- Colour - Black
- SLDGS0053-RGB cycles between 7 Pre-set colours

1 Year Warranty!

Packaged Fitting Weight & Dimensions

W: 0.4kg

D: 20cm x 16cm x 10cm



Residential Range

Garden Spot Lights

Garden Spot Light Kit

Product Code	LED's	Battery	Solar Panel	IP Rating	Lumens
SLDGSK0054	9 x SMD @0.2W (WW)	3 x 1.2v 1000mAh Ni-MH	1W Separate Polycrystalline	44	60 @ 1m

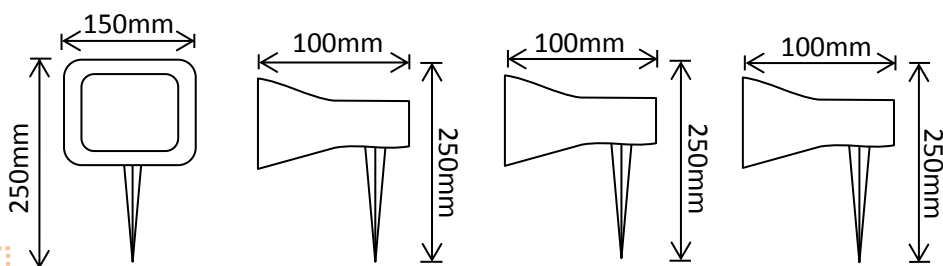
Features:

- Approximately 6–8 hours Operation
- Spike or Surface Mount Option
- On/Off Switch

Kit Includes:

- 3 x Garden Spots – 4.1 m of cable per light
- 1 x Remote Solar Panel with Battery
- 3 x Spikes
- 3 x Surface Mounted Brackets

1 Year Warranty!



Packaged Fitting Weight & Dimensions

W: 1.3kg

D: 21cm x 21cm x 20cm

Residential Range

Garden Spot Lights

High Output Garden Spot Light Kit

Product Code	LED's	Battery	Solar Panel	IP Rating	Lumens
SLDGSK0055	1 x 5W COB LED (CW)	1 x 12v 10000mAh Li-Ion	20W Separate Polycrystalline	65	500 @ 1m/per light

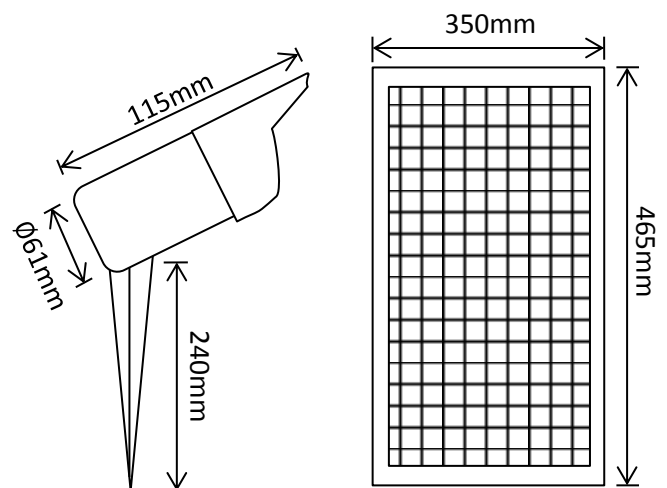
Features:

- Approximately 6-8 hours Operation
- Spike Mounting
- On/Off Switch

Kit Includes:

- 3 x Hi-Output 5W Garden Spots with Spike & 5m of cable per light
- 1 x Remote Solar Panel with Battery
- 1 x 3-way Splitter and Accessories
- Colour filters

1 Year Warranty!



Packaged Fitting Weight & Dimensions

W: 5.1kg

D: 51cm x 39cm x 13cm

Residential Range

Illuminated House Numbers

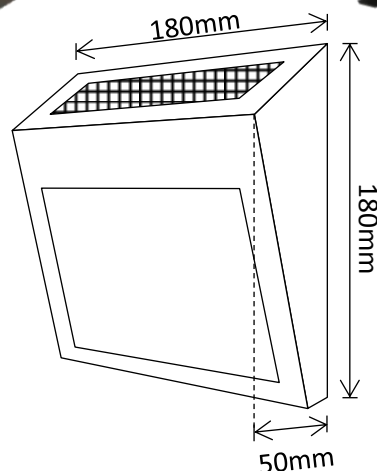
Illuminated House Numbers

Product Code	LED's	Battery	Solar Panel	IP Rating	Lumens
SLDIHN1 /SS- WW	3 x SMD @0.6W (WW)	1 x 1.2v 1200mAh NiMH	0.3W Integrated Polycrystalline	44	100 @ 1m
SLDIHN1 /SS- CW	3 x SMD @0.6W (CW)	1 x 1.2v 1200mAh NiMH	0.3W Integrated Polycrystalline	44	100 @ 1m
SLDIHN1 /BLK -WW	3 x SMD @0.6W (WW)	1 x 1.2v 1200mAh NiMH	0.3W Integrated Polycrystalline	44	100 @ 1m

Features:

- Stainless Steel Construction
- Approximately 8-10 hours Operation
- Flush Wall Mount Base
- Supplied with 3x numerical sets of 0-9 & 1x Alphabet set of A-F Vinyl Stickers

1 Year Warranty!



Packaged Fitting Weight & Dimensions

W: 0.4kg

D: 20cm x 20cm x 6cm

Residential Range

Multi-Purpose Lights

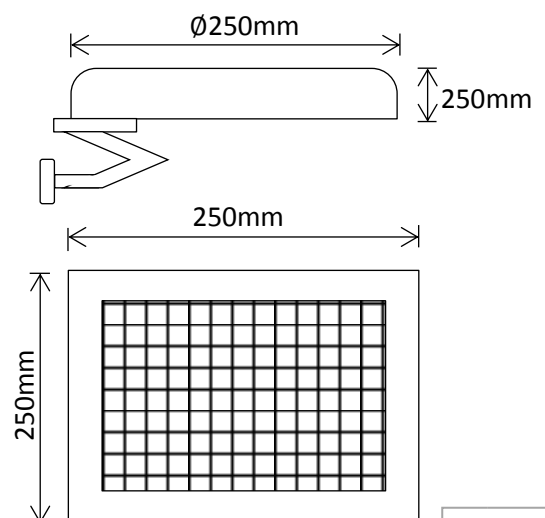
Multi-Purpose Light w/ Piezo Alarm

Product Code	LED's	Battery	Solar Panel	IP Rating	Lumens
SLDMP008-PIR	56 x SMD @0.1W (CW)	1 x 3.7v 4400mAh Lithium	3W Integrated Polycrystalline & 5W Remote Polycrystalline	65	N/A

Features:

- Approximately 6-8 hours Operation
- Pyro-electric Infrared Sensor
- Remote controlled sensor modes
- Sensor Triggered Piezoelectric alarm
- Wall Mounted Base

1 Year Warranty!



Packaged Fitting Weight & Dimensions

W: 1.4kg

D: 24.5cm x 21cm x 9cm

Multi-Purpose Lights

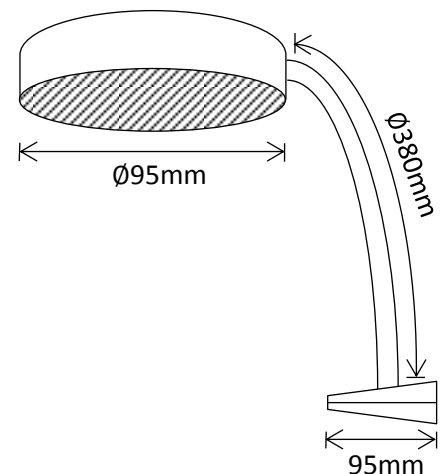
Multi-Purpose Clamp Light

Product Code	LED's	Battery	Solar Panel	IP Rating	Lumens
SLDCL	5 x SMD @0.2W (CW)	1 x 3.2v 1Ah LiFePO4	0.5W Integrated Polycrystalline	44	100 @ 1m

Features:

- Approximately 4-6 hours Operation
- Black P.C. Finish
- Clamp attachment with flexible arm
- Heavy duty adjustable clamp
- On/Off Switch

1 Year Warranty!



Packaged Fitting Weight & Dimensions

W: 0.5kg

D: 23cm x 15.5cm x 8cm

Camping Lanterns

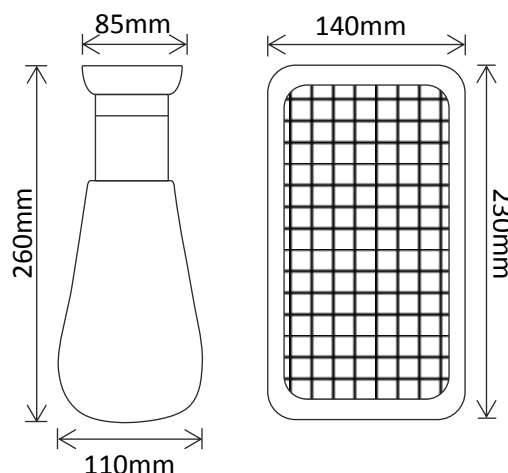
Bluetooth Camping Lantern

Product Code	LED's	Battery	Solar Panel	IP Rating	Lumens
SLDL0813-BT	3 x SMD @1W (CW) 1 x SMD @1W (RGB)	1 x 3.2v 5500mAh	5V 3W Separate Polycrystalline	20	N/A

Features:

- Integrated Bluetooth Speaker
- Approximately 6-8 hours Operation
- Detached Solar Panel for optimal charging
- 3 different Lighting Modes:
 - 100% Brightness - 100lm @ 1 metre
 - 50% Brightness - 20lm @ 1 metre
 - Cycling RGB: 30lm @ 1 metre

1 Year Warranty!



Packaged Fitting Weight & Dimensions

W: 1kg
D: 15cm x 15cm x 24.5cm

Residential Range

Camping Lanterns

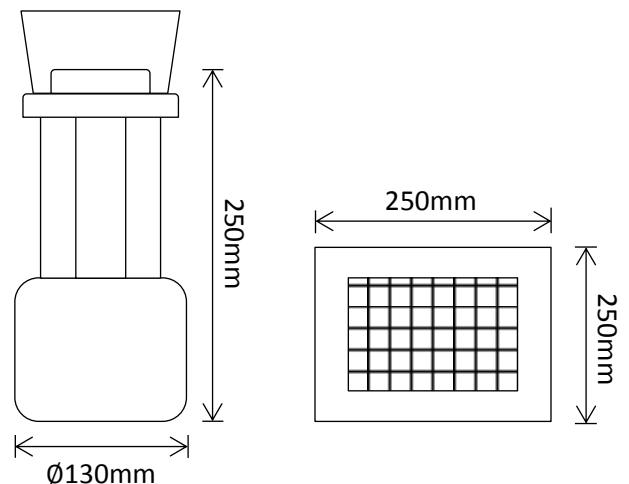
Camping Lantern w/ USB Output

Product Code	LED's	Battery	Solar Panel	IP Rating	Lumens
SLDL2279	72 x 5000K CCT (CW)	1 x 3.7V 4000mAh	3W Separate Polycrystalline	44	200 @ 1m

Features:

- On/Off Switch
- Approximately 8-10 hours Operation
- Adjustable Handle with Hook
- 2 ways of charging – Solar / 240v Mains
- 5.5v USB output for Charging of Devices
- Colour – Blue with Stainless Steel Features

1 Year Warranty!



Packaged Fitting Weight & Dimensions

W: 1.4kg

D: 18.5cm x 17.5cm x 28cm

Residential Range

Camping Lanterns

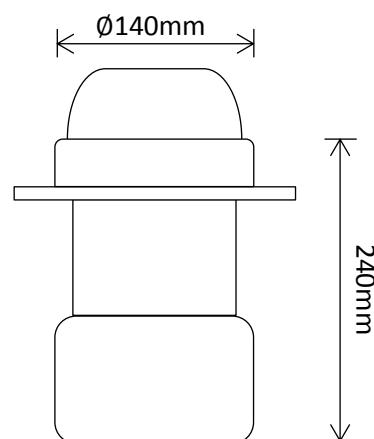
Camping Lantern

Product Code	LED's	Battery	Solar Panel	IP Rating	Lumens
SLDL2271A /BLUE	9 x Super Bright LEDs (CW)	1 x 3.2v 1400mAh Li-ion	4V Integrated Polycrystalline	44	N/A
SLDL2271A /RED	9 x Super Bright LEDs (CW)	1 x 3.2v 1400mAh Li-ion	4V Integrated Polycrystalline	44	N/A

Features:

- Built in Extendable Solar Panel
- Approximately 6-8 hours Operation
- On/Off Switch
- Adjustable Handle
- Colour: Blue or Red

1 Year Warranty!



Packaged Fitting Weight & Dimensions

W: 0.4kg

D: 12.5cm x 13cm x 16.5cm

Residential Range

Bud Light Kits

LED Bud Light Kits

Product Code	LED's	Battery	Solar Panel	IP Rating	Lumens
SLDBLK-100 (B, R, G, RGB, W & WW)	100 x LEDs @ 5mm each	1 x 1.2v 1200mAh NiMH	2V 0.4W Separate E.R.E	44	N/A
SLDBLK-300 (B, R, G, RGB, W & WW)	300 x LEDs @ 5mm each	3 x 1.2v 1200mAh NiMH	5.5V 0.4W Separate E.R.E	44	N/A
SLDBLK-500 (R, G, RGB, W & WW)	500 x LEDs @ 5mm each	3 x 1.2v 1200mAh NiMH	5.5V 0.4W Separate E.R.E	44	N/A

Features:

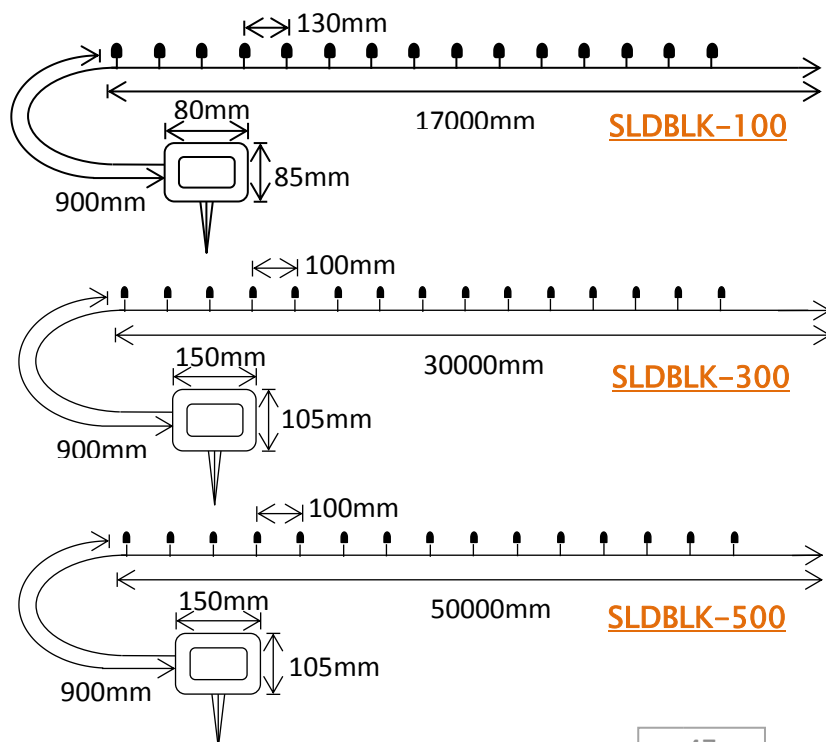
- Approximately 8-10 hours Operation
- Mode Selection Switch for "Flash" or "Constant On" options
- Cable Colour - Transparent
- Spike or Surface Mounting Option for Remote Solar Panel
- Colours Available - Blue, Green, Red, White, Warm White or RGB (Red, Green & Blue)

1 Year Warranty!

Packaged Fitting Weight & Dimensions

W: 0.9kg

D: 20cm x 16cm x 10cm



Residential Range

Meteor Lights

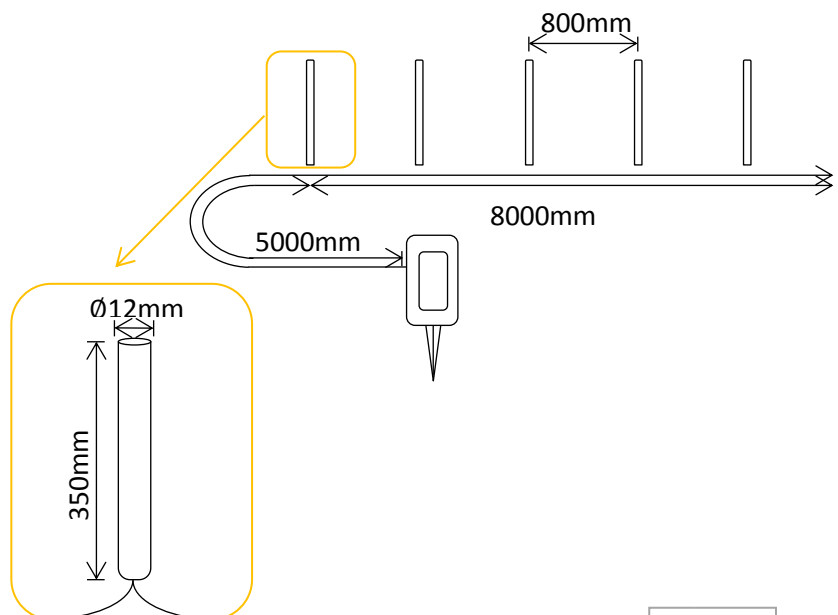
Meteor Lights

Product Code	LED's	Battery	Solar Panel	IP Rating	Lumens
SLDML-36W	36 x LEDs per Meteor (CW)	1 x 3.7v 2200mAh	5V 2W Separate E.R.E	65	N/A
SLDML-36WW	36 x LEDs per Meteor (WW)	1 x 3.7v 2200mAh	5V 2W Separate E.R.E	65	N/A
SLDML-36RGB	36 x LEDs per Meteor (RGB)	1 x 3.7v 2200mAh	5V 2W Separate E.R.E	65	N/A

Features:

- 10 Meteors per kit
- Approximately 8-10 hours Operation
- Cable Colour - Transparent
- Spike or Surface Mount option for remote Solar Panel
- Colour - White OR Warm White OR RGB, White & Warm White

1 Year Warranty!



Packaged Fitting Weight & Dimensions

W: 0.5kg

D: 38cm x 10cm x 6cm

Residential Range

Festoon Lights

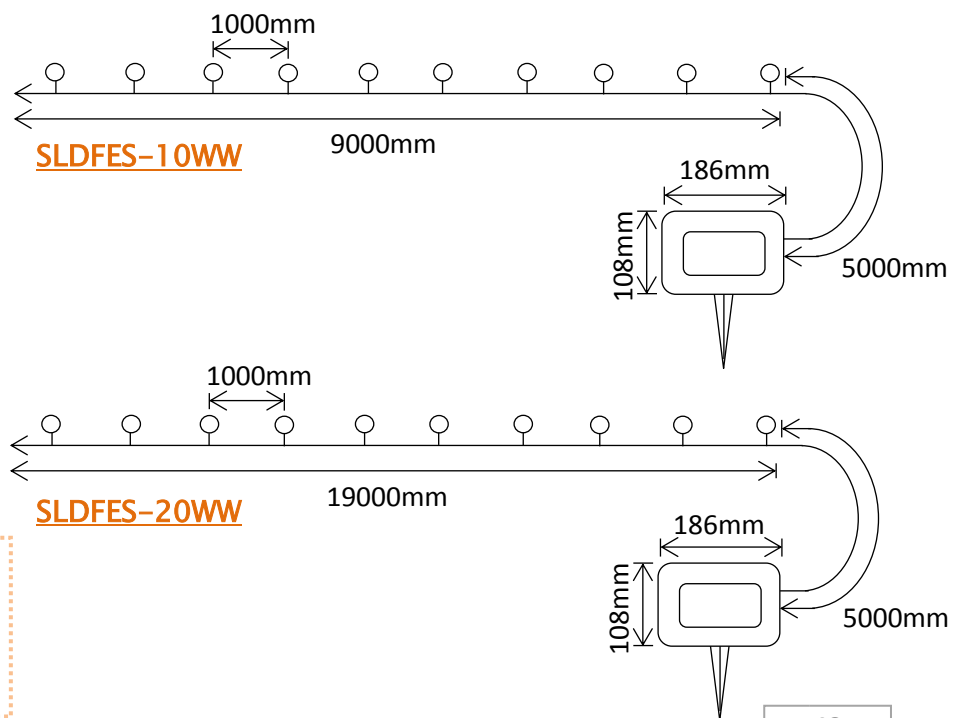
Festoon Lights

Product Code	LED's	Battery	Solar Panel	IP Rating	Lumens
SLDFES-10WW	10 x G45-E27 Filament LED @ 0.2W (WW)	2 x 3.7v 1800mAh	2.8W 5.5VDC Separate E.R.E	65	20 @ 1m per bulb
SLDFES-20WW	20 x G45-E27 Filament LED @ 0.2W (WW)	2 x 3.7v 1800mAh	2.8W 5.5VDC Separate E.R.E	65	20 @ 1m per bulb

Features:

- Approximately 8-10 hours Operation
- 1 x Spare Bulb Included per kit
- 4 x Pre-set Operation Modes
- Cable Colour - Black
- Optional Charging via 5v USB Port

1 Year Warranty!



Packaged Fitting Weight & Dimensions

W: 3.2kg

D: 49cm x 31cm x 11cm

Residential Range

Festoon Lights

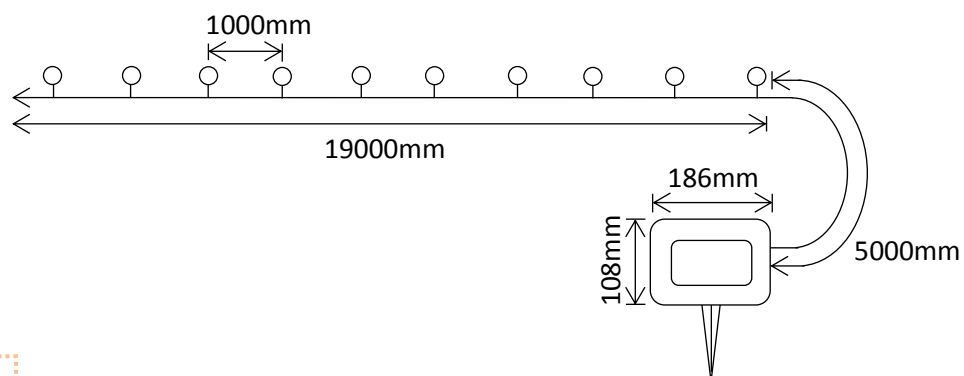
Festoon Lights

Product Code	LED's	Battery	Solar Panel	IP Rating	Lumens
SLDFES-20CLD	20 x G45-E27 Filament LED @ 0.2W	2 x 3.7v 1800mAh Li-ion	2.8W 5.5VDC Separate E.R.E	65	20 @ 1m per bulb

Features:

- Approximately 8-10 hours Operation
- 24 x LED bulbs per kit, including 1 spare per colour, (6 x Red, 6 x Blue, 6 x Green, 6 x Yellow)
- 4 x Pre-set Operation Modes
- Cable Colour - Black
- Optional Charging via 5v USB Port

1 Year Warranty!



Packaged Fitting Weight & Dimensions

W: 3.1kg

D: 49.5cm x 31cm x 11.5cm

Residential Range

Strip Lights

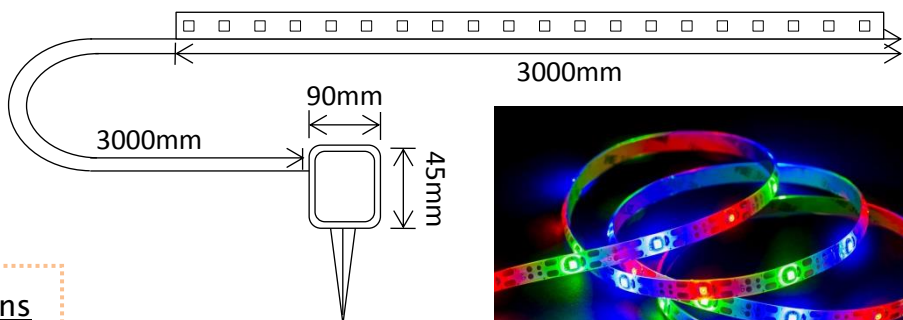
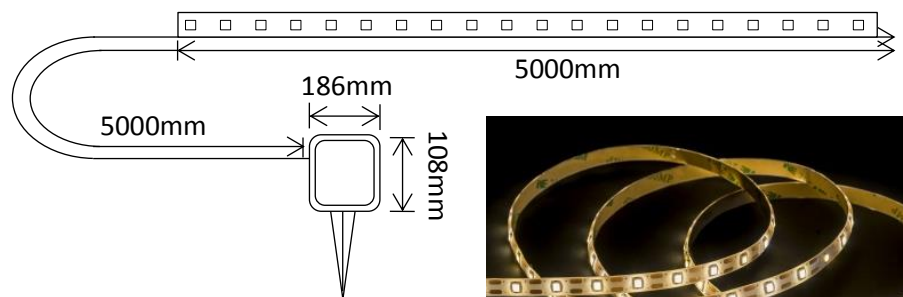
LED Strip Lights

Product Code	LED's	Battery	Solar Panel	IP Rating	Lumens
SLDSTRIP-WW	150 x LEDs @ 2.4W (WW)	2 x 3.7v 1800mAh	2.8W 5.5VDC Separate E.R.E	65	N/A
SLDSTRIP-RGB	90 x LEDs @ 2.1W (RGB)	1 x 1.2v 1800mAh	0.7W Separate E.R.E	65	N/A

Features:

- Approximately 6-8 hours Operation
- Anti UV and Waterproof double-sided adhesive on underside of strip
- SLDSTRIP-WW = 4 Pre-Set Modes
- SLDSTRIP-RGB = 8 Pre-Set Modes

1 Year Warranty!



Packaged Fitting Weight & Dimensions

W: 0.7kg

D: 24cm x 16cm x 9cm

Residential Range

Portable Lighting System

10W PLS with Bluetooth, Radio & Lights

Product Code	LED's	Battery	Solar Panel	IP Rating	Lumens
SLDPLSFM10W	2 x Built in Lights 3x	1 x 6v 4000mAh Lead Acid	9V 3W Separate Polycrystalline	20	N/A

Features:

- FM, MP3 & Bluetooth with Speaker (2-4 hours speaker using time)
- 3 x LED Bulb Lights with 3m cable (Individually Switched)
- 2 x Built in lights; 1 x Torch & 1 x Multipurpose Light
- 1 x Mains charging cable
- 1 x 3way device charging cable
- Approximately 10-12 hours Operation (When using 2+ lights)
- 5v USB output for charging devices



1 Year Warranty!



Packaged Fitting Weight & Dimensions

W: 1.8kg

D: 26cm x 10cm x 21cm

Residential Range

Sky Lights

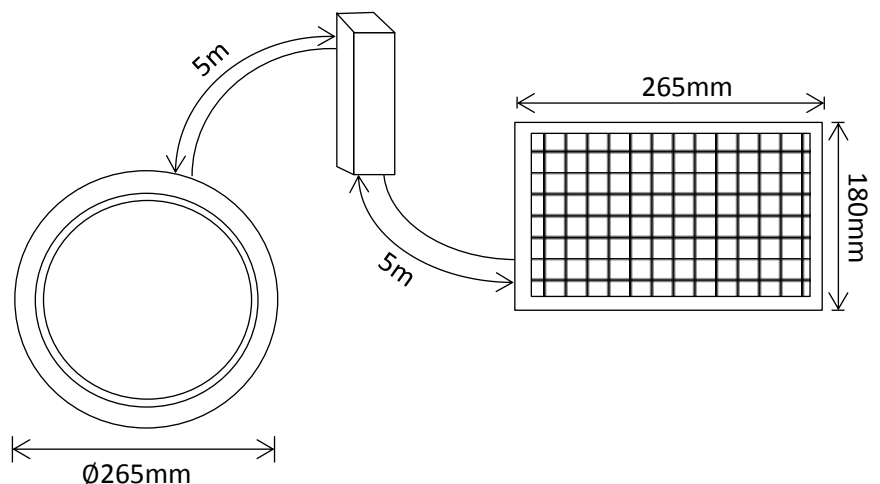
6W Sky Light

Product Code	LED's	Battery	Solar Panel	IP Rating	Lumens
SLDSKY-6W	30 x LEDs @ 0.2W (Warm White)	1 x 7.4v 3000mAh Lithium	5W Separate Polycrystalline	Panel = 65 Control Box = 44 Light = 20	500 @ 1m

Features:

- Approximately 6-8 hours Operation
- "True Skylight" Operation
- Microwave Motion Sensor

1 Year Warranty!



Packaged Fitting Weight & Dimensions

W: 2kg

D: 28cm x 28cm x 16.5cm

Commercial Range

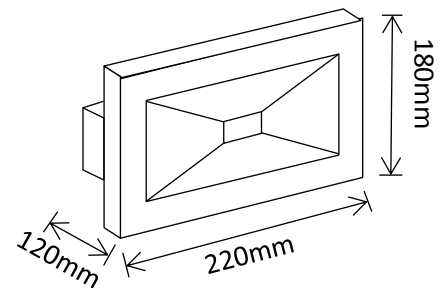
Flood Lights

10W Flood Light

Product Code	LED's	Battery	Solar Panel	IP Rating	Lumens
SLDFL10W-DC	5730 SMD LEDs	1 x 7.4vDC 7800mAh Li-Ion	N/A	65	700 @ 1m (CW) 750 @ 1m (WW)

Features:

- Die Cast Aluminium – Body
- Tempered Safety Glass
- RF Remote Control Operation
- Wall Mounting Bracket
- 5m Connection Cable
- Dimmable
- Dual Colour LED Technology
- LED Selector Switch



2 Year Warranty!

Packaged Fitting Weight & Dimensions

W: 1.9kg

D: 24cm x 21cm x 15cm

Solar Panel Required			
No. of lights connected	SLDSP30	SLDSP60	SLDSP100
1	✓		
2	✓		
3		✓	
4		✓	
5			✓
6			✓

*Please reference page 83 for further Solar Panel information

Commercial Range

Flood Lights

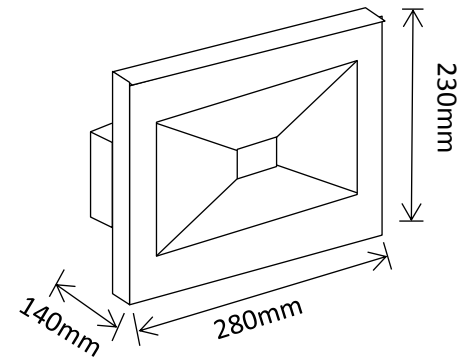
30W Flood Light

Product Code	LED's	Battery	Solar Panel	IP Rating	Lumens
SLDFL30W-DC	5730 SMD LEDs	1 x 7.4vDC 21000mAh Li-Ion	N/A	65	2250 @ 1m (CW) 2200 @ 1m (WW)

Features:

- Die Cast Aluminium – Body
- Tempered Safety Glass
- RF Remote Control Operation
- Wall Mounting Bracket
- 5m Connection Cable
- Dimmable
- Dual Colour LED Technology
- LED Selector Switch

2 Year Warranty!



Packaged Fitting Weight & Dimensions

W: 3.6kg

D: 29cm x 27cm x 16cm

Solar Panel Required		
No. of lights connected	SLDSP60	SLDSP100
1	✓	
2		✓

*Please reference page 83 for further Solar Panel information

Commercial Range

Flood Lights

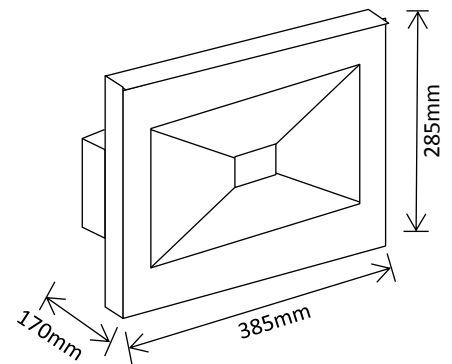
50W Flood Light

Product Code	LED's	Battery	Solar Panel	IP Rating	Lumens
SLDFL50W-DC	5730 SMD LEDs	1 x 12vDC 30000mAh Li-Ion	N/A	67	5000 @ 1m (CW) 5500 @ 1m (WW)

Features:

- Die Cast Aluminium – Body
- Tempered Safety Glass
- RF Remote Control Operation
- Wall Mounting Bracket
- 5m Connection Cable
- Dimmable
- Dual Colour LED Technology
- LED Selector Switch

2 Year Warranty!



Packaged Fitting Weight & Dimensions

W: 5.6kg

D: 40cm x 31cm x 22.5cm

Solar Panel Required	
No. of lights connected	SLDSP100
1	✓

*Please reference page 83 for further Solar Panel information

Commercial Range

Bollard Lights

Commercial Bollard Light

Product Code	LED's	Battery	Solar Panel	IP Rating	Lumens
SLDBL2602/ BLK-DC	36 x SMD LEDs @ 0.1Wea (Dual Colour)	1 x 6.4v 4500mAh Lithium	4W Integrated Polycrystalline	65	250 @ 1m
SLDBL2602/ SS-DC	36 x SMD LEDs @ 0.1Wea (Dual Colour)	1 x 6.4v 4500mAh Lithium	4W Integrated Polycrystalline	65	250 @ 1m

Features:

- Approximately 8-10 hours Operation per day
- 304 Stainless Steel Construction
- Glass Lens
- Strength & Durability Rating: IK06
- Surface Mounted Base
- Dual Colour LED Technology (3000K/5000K)

2 Year Warranty!



Packaged Fitting Weight & Dimensions

W: 4.8kg

D: 83.5cm x 32cm x 31cm

Commercial Range

Bollard Lights

Commercial Bollard Light

Product Code	LED's	Battery	Solar Panel	IP Rating	Lumens
SLDBL007/ BLK-DC	36 x SMD LEDs @ 0.1Wea (Dual Colour)	1 x 6.4v 4500mAh Lithium	4W Integrated Polycrystalline	65	250 @ 1m
SLDBL007/ SS-DC	36 x SMD LEDs @ 0.1Wea (Dual Colour)	1 x 6.4v 4500mAh Lithium	4W Integrated Polycrystalline	65	250 @ 1m
SLDBL007/ AL-DC	36 x SMD LEDs @ 0.1Wea (Dual Colour)	1 x 6.4v 4500mAh Lithium	4W Integrated Polycrystalline	65	250 @ 1m

Features:

- Approximately 8-10 hours Operation
- Polycarbonate Lens
- SLDBL007/BLK & SLDBL007/SS: 304 Stainless Steel Construction
- SLDBL007/AL: High Quality Extruded Aluminium (Excludes Base Flange)
- Strength & Durability Rating: IK06

2 Year Warranty!

Packaged Fitting Weight & Dimensions

W: 4kg

D: 84cm x 32cm x 31cm



Commercial Range

Bollard Lights

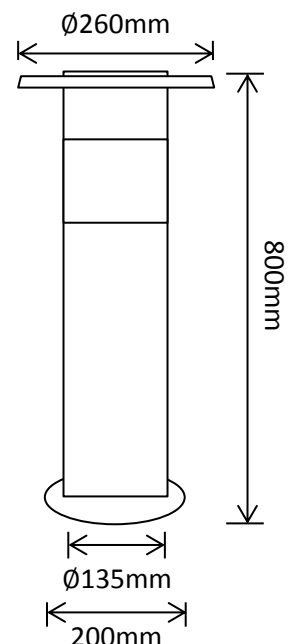
Commercial Bollard Light

Product Code	LED's	Battery	Solar Panel	IP Rating	Lumens
SLDBL002 / BLK-DC	12 x SMD LEDs @ 0.1Wea (Dual Colour)	1 x 6.4v 4500mAh Lithium	2.5W Integrated Polycrystalline	65	200 @ 1m

Features:

- Approximately 8-10 hours Operation
- Die Cast Aluminium Construction
- High Quality Black Powder Coating
- Polycarbonate Lens
- Surface Mounted Base

2 Year Warranty!



Packaged Fitting Weight & Dimensions

W: 4.3kg

D: 84cm x 32cm x 32cm

Commercial Range

Batten Lights

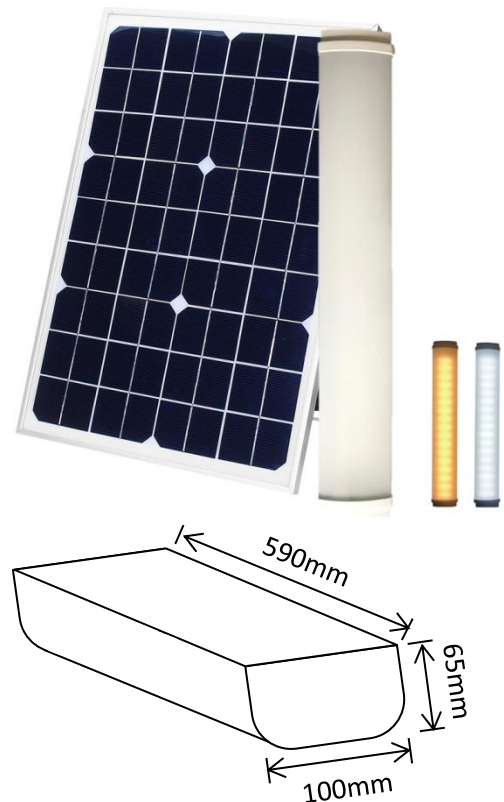
1 8W Batten Light

Product Code	LED's	Battery	Solar Panel	IP Rating	Lumens
SLDBTL1 8W-DC	240 x SMD LEDs (Dual Colour)	1 x 12v 18000mAh Li-Ion	N/A	67	2340 @ 1m

Features:

- Built in Microwave Sensor (MPPT)
- Die-Cast Aluminium Body
- RF Remote Control Operation
- Brightness Adjustable
- Auto Mode & Manual Mode
- 10m Connection Cable
- Suspension Cable Included
- Dual Colour LED Technology with LED Selector Switch
- Strength & Durability Rating: IK08

2 Year Warranty!



Packaged Fitting Weight & Dimensions

W: 2.7kg

D: 64cm x 13.5cm x 9cm

Solar Panel Required		
No. of lights connected	SLDSP60	SLDSP100
1	✓	
2		✓

*Please reference page 83 for further Solar Panel information

Commercial Range

Batten Lights

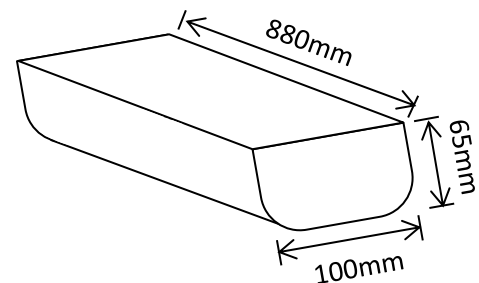
24W Batten Light

Product Code	LED's	Battery	Solar Panel	IP Rating	Lumens
SLDBTL24W-DC	384 x SMD LEDs (Dual Colour)	1 x 12v 24000mAh Li-Ion	N/A	67	3000 @ 1m

Features:

- Built in Microwave Sensor (MPPT)
- Die-Cast Aluminium Body
- RF Remote Control Operation
- Brightness Adjustable
- Auto Mode & Manual Mode
- 10m Connection Cable
- Suspension Cable Included
- Dual Colour LED Technology with LED Selector Switch
- Strength & Durability Rating: IK08

2 Year Warranty!



Packaged Fitting Weight & Dimensions

W: 3.5kg

D: 95cm x 13.5cm x 9.5cm

Solar Panel Required		
No. of lights connected	SLDSP60	SLDSP100
1	✓	
2		✓

*Please reference page 83 for further Solar Panel information

Commercial Range

Pillar Lights

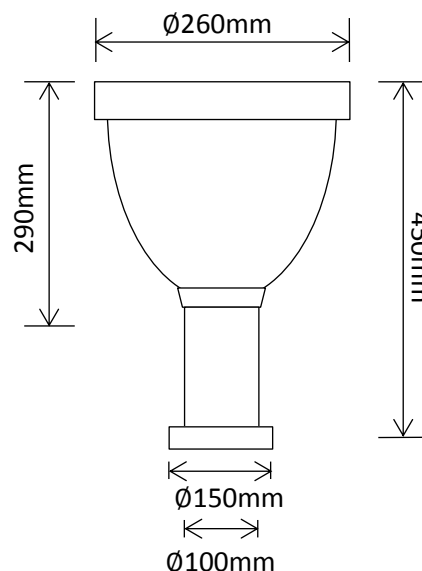
Pillar Light

Product Code	LED's	Battery	Solar Panel	IP Rating	Lumens
SLDPIL0014-WW	16 x SMD LEDs (Warm White)	1 x 3.2V 8000mAh Lithium	4.5V 6W Integrated Polycrystalline	65	300-330 @ 1m

Features:

- Die Cast Aluminium Construction
- High Quality Black Powder Coating
- Approximately 8 hours of Operation
- Surface Mounted Base

2 Year Warranty!



Packaged Fitting Weight & Dimensions

W: 2.2kg

D: 27cm x 28cm x 38cm

Commercial Range

Pillar Lights

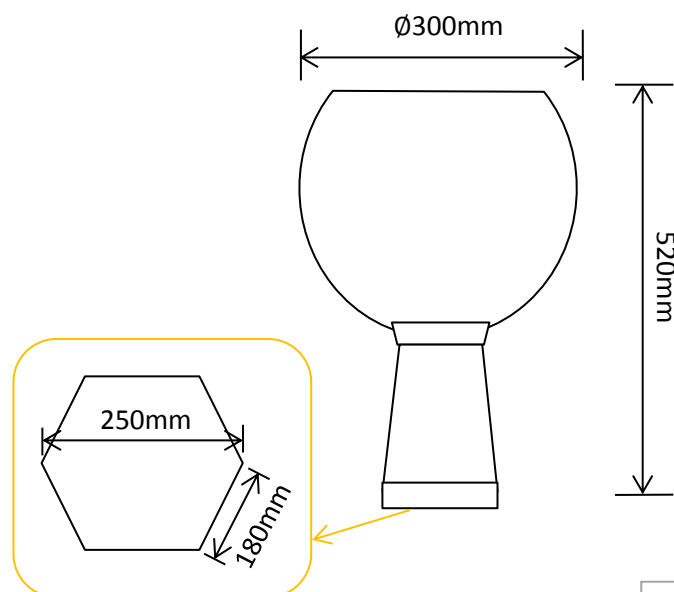
Pillar Light

Product Code	LED's	Battery	Solar Panel	IP Rating	Lumens
SLDPIL1012/ BLK	24 x LEDs @ 0.2Wea (Warm White)	1 x 6.4v 4500mAh Lithium	3W Integrated Polycrystalline	67	200 @ 1m

Features:

- Die Cast Aluminium Frame
- Polycarbonate Sphere - Opal Finish
- High Quality Black Powder Coating
- Approximately 8 hours Operation
- Surface Mounted Base

2 Year Warranty!



Packaged Fitting Weight & Dimensions

W: 3.2kg

D: 33cm x 33cm x 53cm

Commercial Range

Post Lights

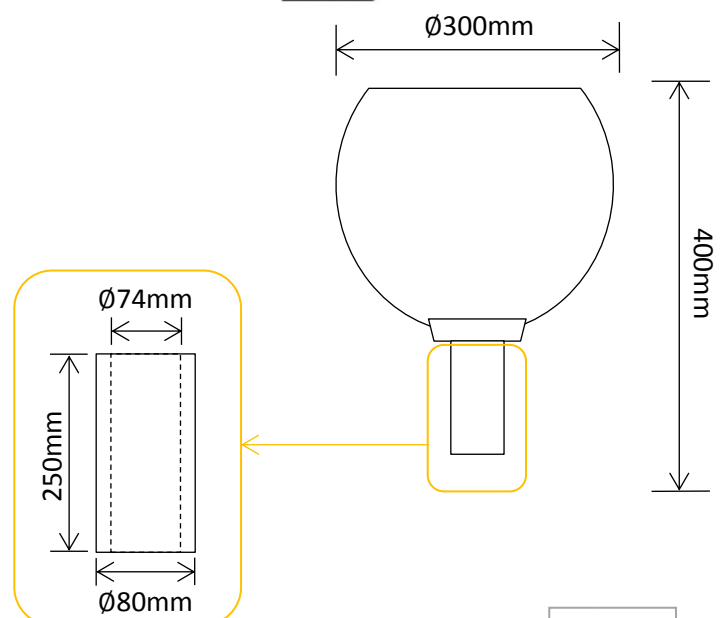
Poly-Carb 'Retro Fit' Post Light

Product Code	LED's	Battery	Solar Panel	IP Rating	Lumens
SLDPL1011 / BLK	24 x LEDs @ 0.2Wea (Warm White)	1 x 6.4v 4500mAh Lithium	3W Integrated Polycrystalline	67	200 @ 1m

Features:

- Die Cast Aluminium Frame
- Polycarbonate Sphere - Opal Finish
- High Quality Black Powder Coating
- Approximately 8 hours Operation
- Surface Mounted Base

2 Year Warranty!



Packaged Fitting Weight & Dimensions

W: 2.5kg

D: 24cm x 24cm x 54cm

Wall Washers/Uplighters

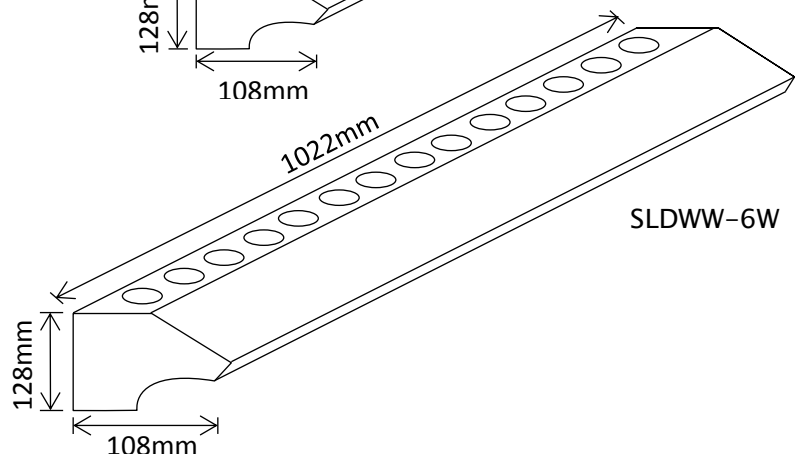
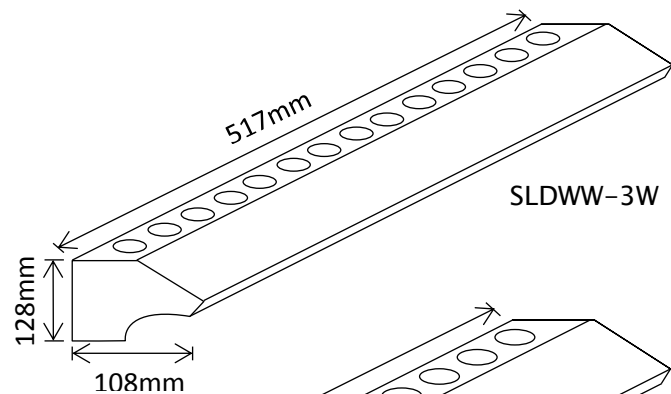
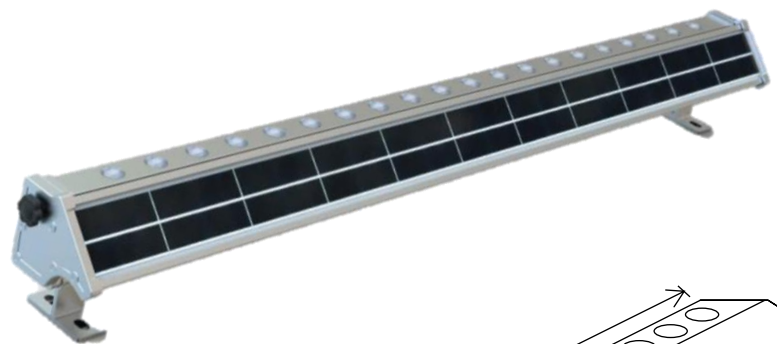
Wall Washer

Product Code	LED's	Battery	Solar Panel	IP Rating	Lumens
SLDWW-3W	10 x SMD LEDs @ 0.2Wea (WW)	1 x 16.28WH Li-Ion	4W Integrated Polycrystalline	65	250 @ 1 m
SLDWW-6W	20 x SMD LEDs @ 0.2Wea (Warm White)	1 x 34.48WH Li-Ion	7.5W Integrated Polycrystalline	65	500 @ 1 m

Features:

- Extruded Aluminium Construction
- Approximately 6-8 hours Operation
- Adjustable LED Tube & Bracket
- Surface Mounted Base
- SLDWW-3W Lighting Modes =
 - o 100% output for 6 hours, 15% output until dawn
 - o 100% output for 5 hours, 15% output for 6 hours
- SLDWW-6W Lighting Mode =
 - o 100% output for 5 hours, 15% output for 6 hours

2 Year Warranty!



Packaged Fitting Weight & Dimensions

SLDWW-3W: W: 2.4kg
D: 60cm x 20cm x 20cm

SLDWW-12W: W: 4.5kg
D: 104cm x 16cm x 13cm

Commercial Range

Wall Washers / Uplighters

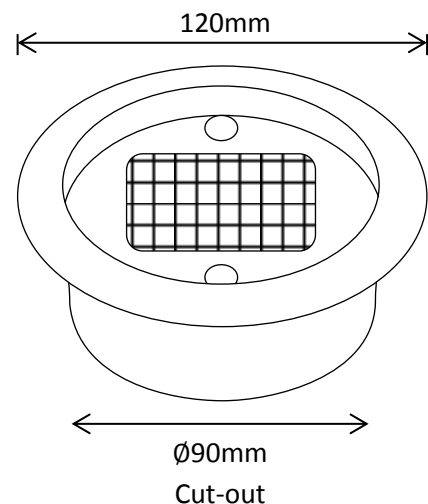
In-Ground Uplighter

Product Code	LED's	Battery	Solar Panel	IP Rating	Lumens
SLDIG-2W	2 x Epistar 5050 LEDs @ 1Wea (Warm White)	1 x 12v 2000mAh Lithium	6V Integrated Polycrystalline	65	180 @ 1m

Features:

- Stainless Steel Construction
- Approximately 6 hours Operation
- Max Walk Over Pressure - 100kg
- Recessed Mounting Position
- Tempered Glass
- Depth:
 - o Without Recessing Frame = 65mm
 - o With Recessing Frame = 90mm

2 Year Warranty!



Packaged Fitting Weight & Dimensions

W: 0.7kg

D: 12.5cm x 12.5cm x 12cm

Wall Washers / Uplighters

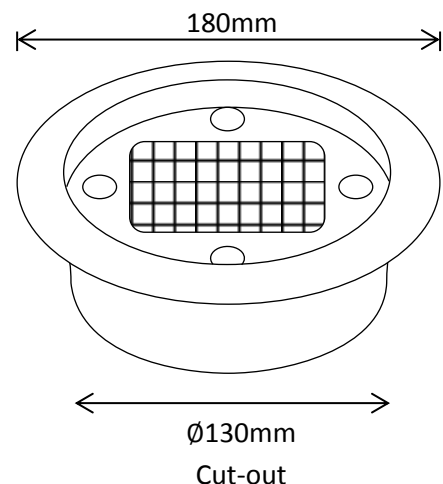
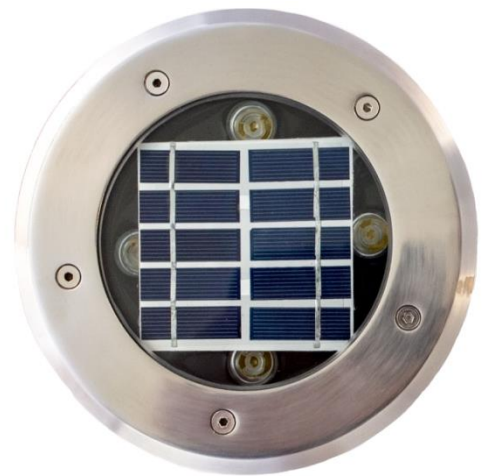
In-Ground Uplighter

Product Code	LED's	Battery	Solar Panel	IP Rating	Lumens
SLDIG-4W	4 x Epistar 5050 LEDs @ 1Wea (Warm White)	1 x 12v 4000mAh Lithium	6V Integrated Polycrystalline	65	360 @ 1m

Features:

- Stainless Steel Construction
- Approximately 6 hours Operation
- Max Walk Over Pressure - 100kg
- Recessed Mounting Position
- Tempered Glass
- Depth:
 - o Without Recessing Frame = 65mm
 - o With Recessing Frame = 90mm

2 Year Warranty!



Packaged Fitting Weight & Dimensions

W: 1.3kg

D: 18.5cm x 18.5cm x 10cm

Wall Washers / Uplighters

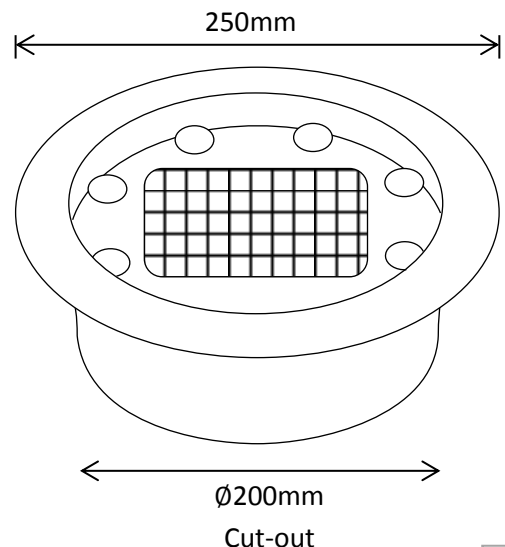
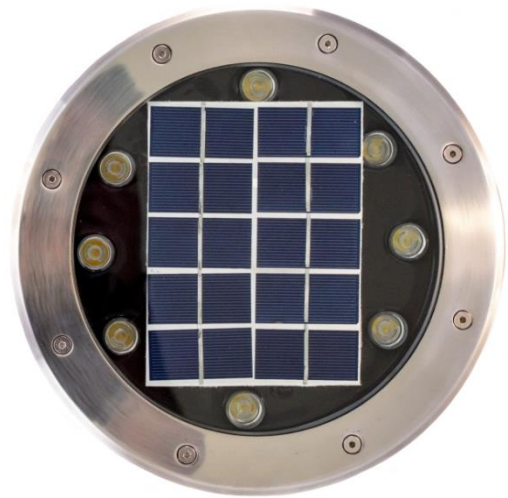
In-Ground Uplighter

Product Code	LED's	Battery	Solar Panel	IP Rating	Lumens
SLDIG-8W	8 x Epistar 5050 LEDs @ 1Wea (Warm White)	1 x 12v 5000mAh Lithium	6V Integrated Polycrystalline	65	720 @ 1m

Features:

- Stainless Steel Construction
- Approximately 6 hours Operation
- Max Walk Over Pressure - 100kg
- Recessed Mounting Position
- Tempered Glass
- Depth:
 - o Without Recessing Frame = 65mm
 - o With Recessing Frame = 90mm

2 Year Warranty!



Packaged Fitting Weight & Dimensions

W: 2.7kg

D: 26cm x 26.5cm x 10cm

Commercial Range

Park Lights

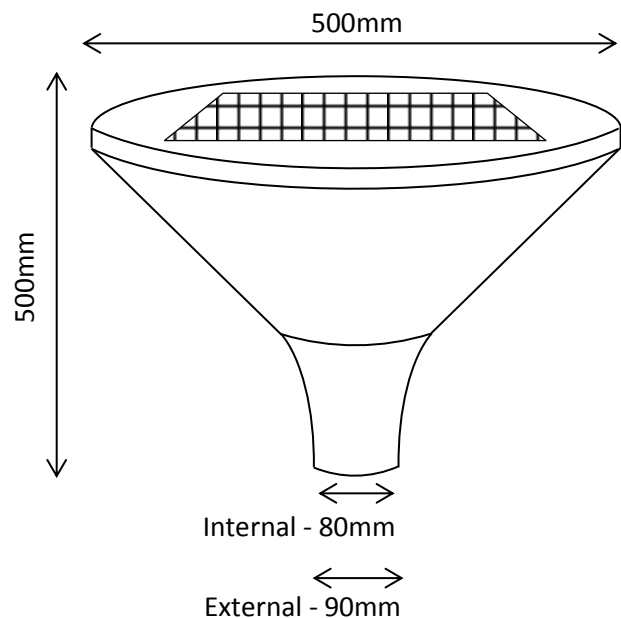
Park Light

Product Code	LED's	Battery	Solar Panel	IP Rating	Lumens
SLDPKL10W	10W SMD LEDs (Tri-Colour)	30000mAh Lithium	30W Integrated Polycrystalline	65	1500 @ 1m

Features:

- Die-Cast Aluminium Construction
- Approximately 8-10 hours Operation
- PMMA Diffuser
- Strength and Durability rating: IK08
- Tri-Colour LED CCT: 3000k/4000k/6000k

2 Year Warranty!



Packaged Fitting Weight & Dimensions

W: 7.2kg

D: 56cm x 56cm x 44cm

Commercial Range

Sign Lights

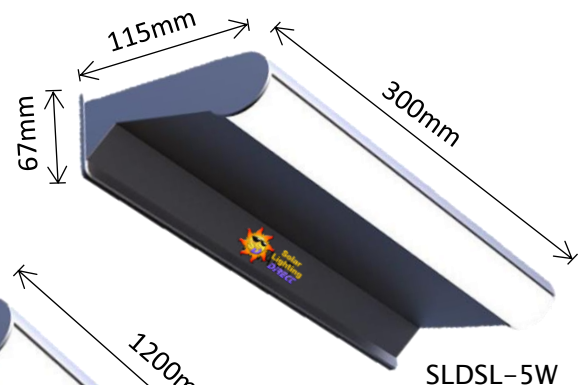
“All-In-One” Sign Lights

Product Code	LED's	Battery	Solar Panel	IP Rating	Lumens
SLDSL-5W	24 x SMD LEDs (CW) (Total Power 5W)	1 x 3.7v 5200mAh Lithium	4.5W Integrated Polycrystalline	65	500 @ 1m
SLDSL-12W	96 x SMD LEDs (CW) (Total Power 12W)	1 x 3.7v 10400mAh Lithium	9W Integrated Polycrystalline	65	1200 @ 1m

Features:

- Extruded Aluminium Body
- Approximately 6-8 hours Operation
- On/Off Push Button
- Built in Wall Mount provisions
- PMMA Diffuser

2 Year Warranty!



Packaged Fitting Weight & Dimensions

SLDSL-5W: W: 1kg
D: 32cm x 13cm x 8cm

SLDSL-12W: W: 4kg
D: 127cm x 15cm x 10cm

Portable Lighting Systems

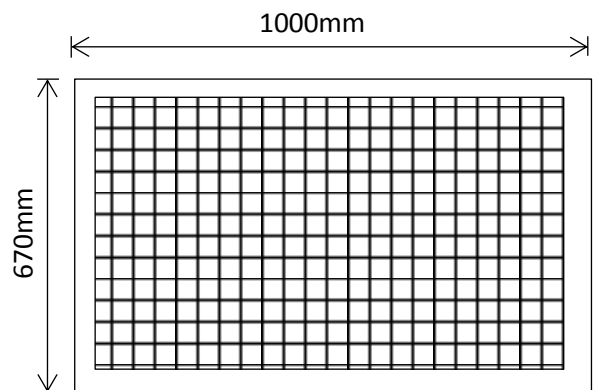
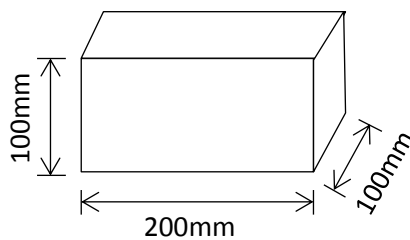
72W Portable Lighting System

Product Code	LED's	Battery	Solar Panel	IP Rating	Lumens
SLDPLS-72W	N/A	1 x 12vDC 30000mAh High Capacity Li-Ion	100W Separate Polycrystalline	65	N/A

Features:

- Custom Designed & Engineered
- Operates a maximum of 72W @ 12VDC for up to 5 hours continuously

2 Year Warranty!



Packaged Fitting Weight & Dimensions

Please contact us via the number below for the dimensions of this fitting.

Industrial Range

Bollard Lights

Industrial Bollard Light

Product Code	LED's	Battery	Solar Panel	IP Rating	Lumens
SLDBL0011 /BLK-DC	36 x SMD LEDs @ 0.2Wea (Dual Colour)	1 x 6.4v 4500mAh Lithium	4W Integrated Polycrystalline	65	300 @ 1m
SLDBL0012 /BLK-DC	12 x SMD LEDs @ 0.2Wea (Dual Colour)	1 x 6.4v 4500mAh Lithium	2.5W Integrated Polycrystalline	65	300 @ 1m

Features:

- Aluminium Construction
- High Quality Black Powder Coating
- Polycarbonate Lens
- Approximately 8 hours operation
- Surface Mounted Base
- Strength & Durability Rating: IK10

2 Year Warranty!

Packaged Fitting Weight & Dimensions

SLDBL0011-BLK:

W: 4.8kg

D: 82cm x 33cm x 31cm

SLDBL0012-BLK:

W: 5.5kg

D: 84cm x 32cm x 32cm



SLDBL0011-BLK

SLDBL0012-BLK

Industrial Range

Bollard Lights

Industrial Bollard Light

Product Code	LED's	Battery	Solar Panel	IP Rating	Lumens
SLDBL0013 /BLK-DC	12 x SMD LEDs @ 0.2Wea (Dual Colour)	1 x 6.4v 4500mAh Lithium	2.5W Integrated Polycrystalline	65	300 @ 1m
SLDBL2713 /BLK-DC	12 x SMD LEDs @ 0.2Wea (Dual Colour)	1 x 6.4v 4500mAh Lithium	4W Integrated Polycrystalline	65	300 @ 1m

Features:

- Aluminium Construction
- High Quality Black Powder Coating
- Polycarbonate Lens
- Approximately 8 hours operation
- Surface Mounted Base
- Strength & Durability Rating: IK10

2 Year Warranty!

Packaged Fitting Weight & Dimensions

SLDBL0013-BLK:

W: 6.4kg

D: 84cm x 33cm x 31cm

SLDBL2713-BLK:

W: 6.9kg

D: 84cm x 32cm x 32cm



SLDBL0013-BLK

SLDBL2713-BLK

Industrial Range

Bollard Lights

Industrial Bollard Light

Product Code	LED's	Battery	Solar Panel	IP Rating	Lumens
SLDBL0008 /GRY-DC	36 x SMD LEDs @ 0.2Wea (Dual Colour)	1 x 6.4v 4500mAh Lithium	8W Integrated Polycrystalline	65	300 @ 1m
SLDBL0086 /GRY-DC	12 x SMD LEDs @ 0.2Wea (Dual Colour)	1 x 6.4v 4500mAh Lithium	4W Integrated Polycrystalline	65	300 @ 1m

Features:

- Aluminium Construction
- High Quality Grey Powder Coating
- Polycarbonate Lens
- Approximately 8 hours operation
- Surface Mounted Base
- Strength & Durability Rating: IK10
- Decorative LED on Post (Optional On/Off)

2 Year Warranty!

Packaged Fitting Weight & Dimensions

SLDBL0008-GRY/CW:

W: 5.2kg

D: 85cm x 32cm x 32cm

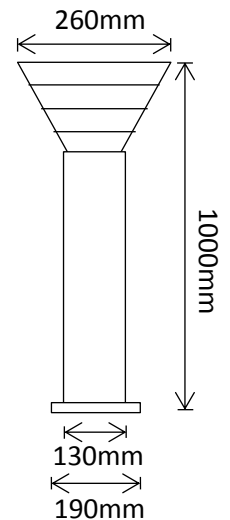
SLDBL0086-GRY/CW:

W: 5.9kg

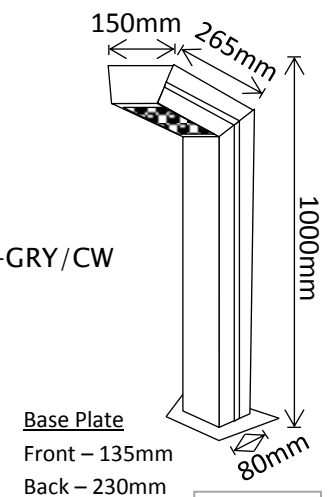
D: 104cm x 32cm x 32cm



SLDBL0008-GRY/CW



SLDBL0086-GRY/CW



Base Plate
Front – 135mm
Back – 230mm

Industrial Range

Road Studs

Road Stud – Square

Product Code	LED's	Battery	Solar Panel	IP Rating	Lumens
SLDRSS/A	6 x Epistar SMD LEDs (Amber)	1 x 1.2V 800mAh Ni-MH	2V 0.2W Integrated Polycrystalline	68	300 @ 1m
SLDRSS/BL	6 x Epistar SMD LEDs (Blue)	1 x 1.2V 800mAh Ni-MH	2V 0.2W Integrated Polycrystalline	68	300 @ 1m
SLDRSS/W	6 x Epistar SMD LEDs (White)	1 x 1.2V 800mAh Ni-MH	2V 0.2W Integrated Polycrystalline	68	300 @ 1m

Please Note: All road studs are designed for single use only and contain a non-replaceable battery.

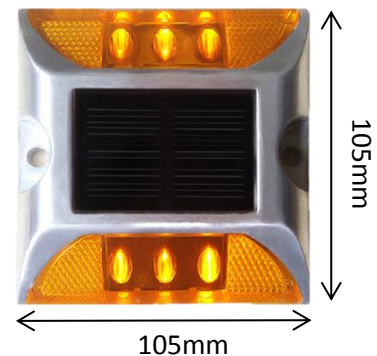
Features:

- Machined Aluminium Construction
- Full charge operation - Approximately 3-5 days
- Working Mode:
 - o SLDRSS/A = Flashing 120 times/min
 - o SLDRSS/BL & SLDRSS/W = Constant On
- Load-bearing = 20 Tonne
- Visible Distance >500M (Night)
- Colour Options on Request (MOQ 50) : Red, Green

2 Year Warranty!

Packaged Fitting Weight & Dimensions

W: 0.3kg
D: 12cm x 12cm x 5cm



75

Industrial Range

Park Lights

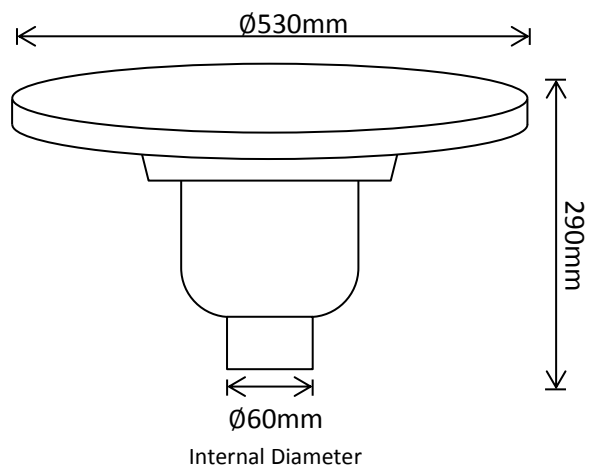
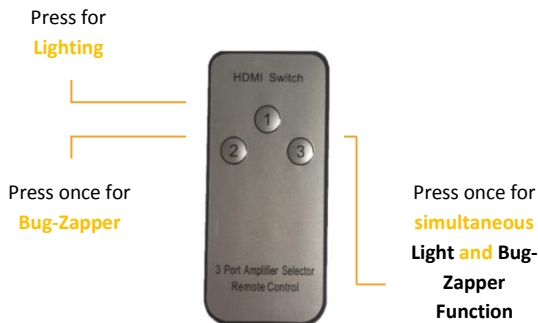
Park Light with Bug Zapper

Product Code	LED's	Battery	Solar Panel	IP Rating	Lumens
SLDPKL18W-ZAP	18W LEDs (Cool White)	1 x 14.8v 15600mAh Lithium	25W Integrated Polycrystalline	65	1000 @ 1m

Features:

- Built-in MPPT Controller
- Aluminium Alloy Construction
- RF Remote Control Operation
- 9W Insect Eradicator
- Built in Rain Sensor with Memory Function

2 Year Warranty!



Packaged Fitting Weight & Dimensions

W: 8.1kg

D: 57cm x 57cm x 24cm

Industrial Range

High Bay Light

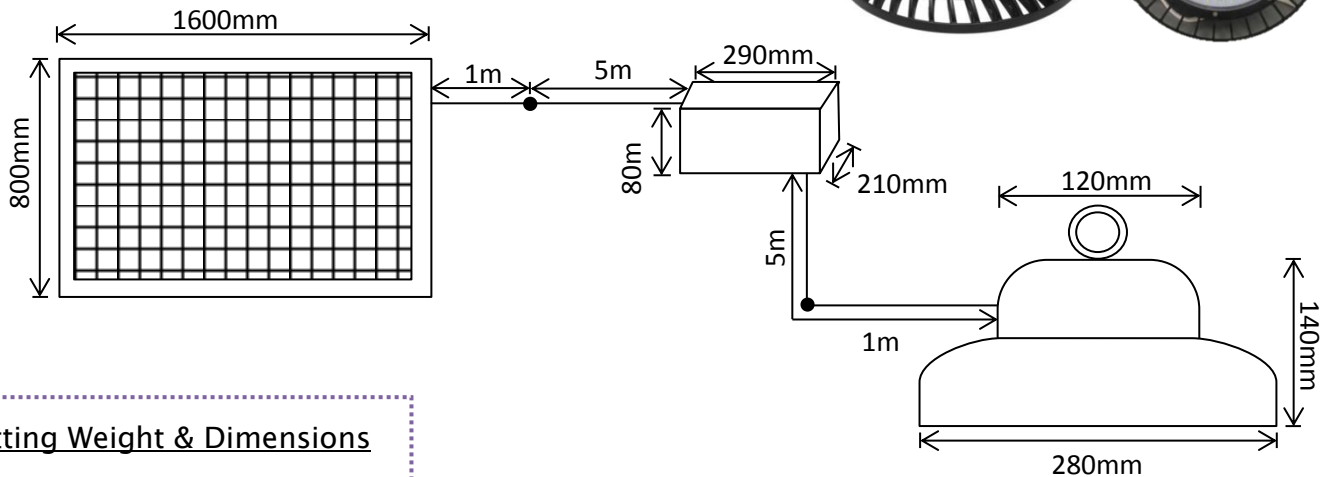
High Bay Light

Product Code	LED's	Battery	Solar Panel	IP Rating	Lumens
SLDHB-100W	264 x SMD3030 LEDs (Cool White)	1 x 24vDC 40000mAh Li-ion	36V 200W Separate Polycrystalline	67	11000 @ 1m

Features:

- Die Cast Aluminium Construction
- Built-in MPPT Controller
- RF Remote Control Operation
- Multiple Pre-programmed Modes
- Brightness Adjustable
- Time Adjustable
- Approximately 12 hour run time
- Strength & Durability Rating: IK10

2 Year Warranty!



Packaged Fitting Weight & Dimensions

Please contact us via the number below for the dimensions of this fitting.

Industrial Range

Street Lights

Street Light w/ Integrated IP Camera

Product Code	LED's	Battery	Solar Panel	IP Rating	Lumens
SLDSTL-15W/CAM-SII	30 x 3030 LumiLED (Cool White)	1 x 12.8v 56000mAh Lithium	18vDC 43W Integrated Polycrystalline	66	1500-1650 @ 1m

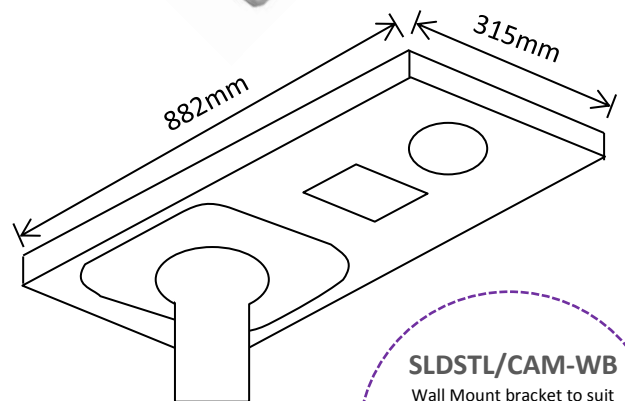
Features:

- All-In-One Construction
- Approximately 7 hour Charging Time
- Operating Time: 6 Hrs at 100% + 6 Hrs at 50%
- Strength & Durability Rating: IK08
- Aluminium Alloy & PMMA Construction

Camera Features:

- 3 Mega Pixels
- Pan, Tilt & Zoom lens control, 2.7-13.5mm Zoom
- 90* viewing angle with 360* rotation
- Internet Protocol (IP) with Wifi
- ONVIF Compatible
- Infrared Vision Technology
- 64GB TF Storage Card

2 Year Warranty!



Internal Diameter – Ø76mm

SLDSTL/CAM-WB
Wall Mount bracket to suit
All-In-One Street Lights



Packaged Fitting Weight & Dimensions

W: 10.2kg

D: 95cm x 42cm x 17cm

Industrial Range

Street Lights

Street Light w/ Integrated IP Camera

Product Code	LED's	Battery	Solar Panel	IP Rating	Lumens
SLDSTL-30W/CAM-SII	30 x 3030 LumiLED (Cool White)	1 x 12.8v 84000mAh Lithium	18vDC 60W Integrated Polycrystalline	66	3000-3300 @ 1m

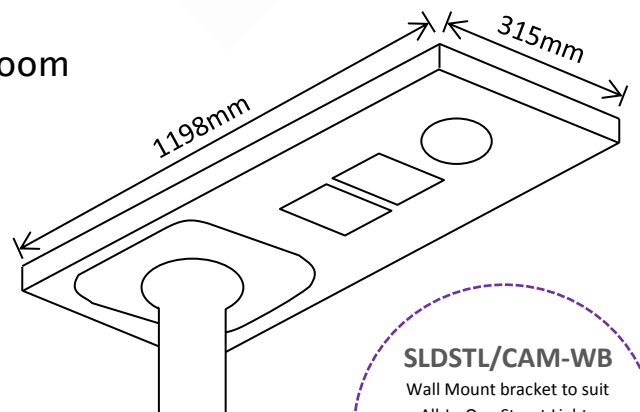
Features:

- All-In-One Construction
- Approximately 7 hour Charging Time
- Integrated PIR Sensor:
→ 100% Brightness for approx. 10 minutes when sensor is triggered
- Strength & Durability Rating: IK08
- Aluminium Alloy & PMMA Construction

Camera Features:

- 3 Mega Pixels
- Pan, Tilt & Zoom lens control, 2.7-13.5mm Zoom
- 90* viewing angle with 360* rotation
- Internet Protocol (IP) with Wifi
- ONVIF Compatible
- Infrared Vision Technology
- 64GB TF Storage Card

2 Year Warranty!



Internal Diameter – Ø76mm

Packaged Fitting Weight & Dimensions

W: 13.4kg

D: 126cm x 42cm x 17cm

Industrial Range

Street Lights

Street Light w/ Integrated IP Camera

Product Code	LED's	Battery	Solar Panel	IP Rating	Lumens
SLDSTL-60W/CAM-SII	60 x 3030 LumiLED (Cool White)	1 x 12.8v 112000mAh Lithium	18vDC 78W Integrated Polycrystalline	66	6600 @ 1m

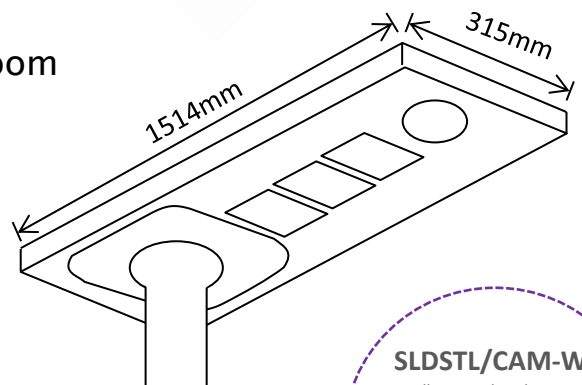
Features:

- All-In-One Construction
- Approximately 7 hour Charging Time
- Integrated PIR Sensor:
→ 100% Brightness for approx. 10 minutes when sensor is triggered
- Strength & Durability Rating: IK08
- Aluminium Alloy & PMMA Construction

Camera Features:

- 3 Mega Pixels
- Pan, Tilt & Zoom lens control, 2.7-13.5mm Zoom
- 90* viewing angle with 360* rotation
- Internet Protocol (IP) with Wifi
- ONVIF Compatible
- Infrared Vision Technology
- 64GB TF Storage Card

2 Year Warranty!



Internal Diameter – Ø76mm

SLDSTL/CAM-WB
Wall Mount bracket to suit
All-In-One Street Lights



Packaged Fitting Weight & Dimensions

W: 16.6kg

D: 160cm x 42cm x 17cm

Industrial Range

Street Lights

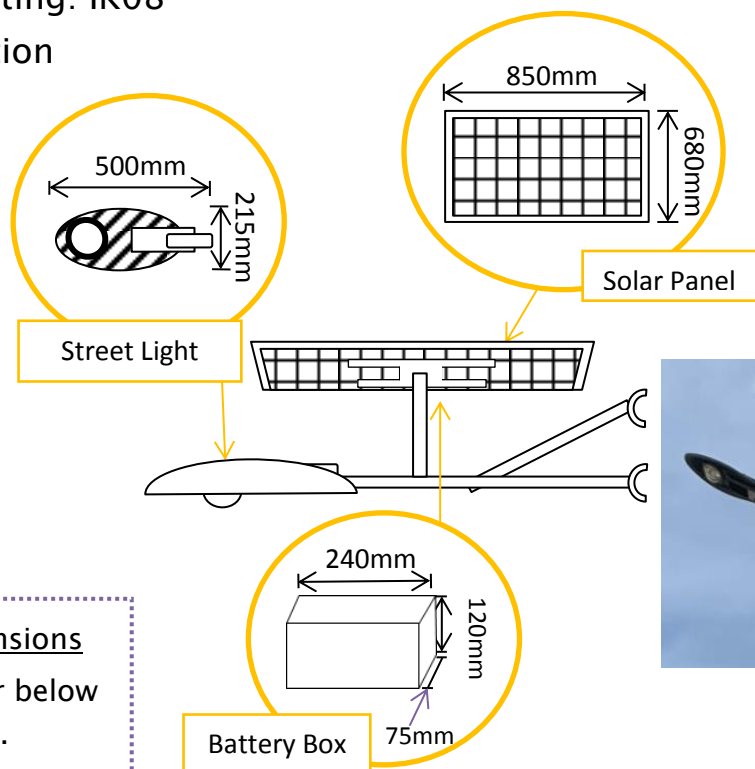
Street Light

Product Code	LED's	Battery	Solar Panel	IP Rating	Lumens
SLDSTL-30W	1 x 30W Bridgelux COB (Cool White)	1 x 12v 30000mAh Lithium	18vDC 80W Separate Polycrystalline	65	2700 @ 1m

Features:

- Aluminium Alloy & PMMA Construction
- Black Powder Coated Steel Mounting Bracket
- Approximately 7 hour Charging Time
- Approximately 12 hour run time @ 100%
- Strength & Durability Rating: IK08
- No UV or IR Light Radiation
- Adjustable Solar Panel
- Aluminium Cooling Fins

2 Year Warranty!



Packaged Fitting Weight & Dimensions
Please contact us via the number below
for the dimensions of this fitting.

Industrial Range

Street Lights

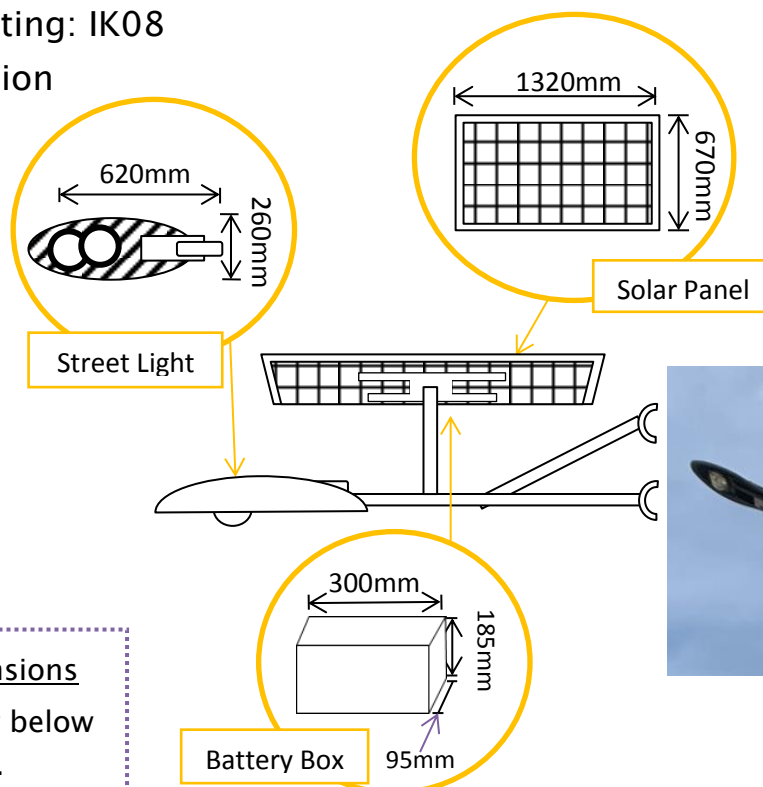
Street Light

Product Code	LED's	Battery	Solar Panel	IP Rating	Lumens
SLDSTL-50W	2 x 25W Bridgelux COB (Cool White)	1 x 12v 50000mAh Lithium	18vDC 140W Separate Polycrystalline	65	4500 @ 1m

Features:

- Aluminium Alloy & PMMA Construction
- Black Powder Coated Steel Mounting Bracket
- Approximately 7 hour Charging Time
- Approximately 12 hour run time @ 100%
- Strength & Durability Rating: IK08
- No UV or IR Light Radiation
- Adjustable Solar Panel
- Aluminium Cooling Fins

2 Year Warranty!



Packaged Fitting Weight & Dimensions
Please contact us via the number below for the dimensions of this fitting.

Industrial Range

Street Lights

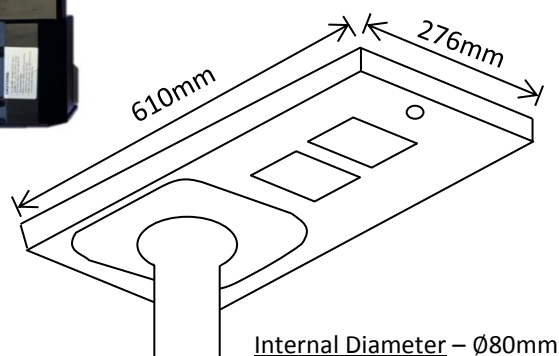
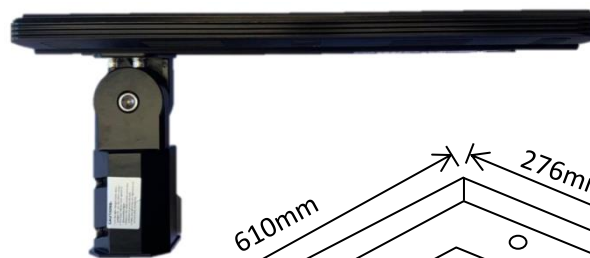
Street Light – “Shoe Box”

Product Code	LED's	Battery	Solar Panel	IP Rating	Lumens
SLDSTL-15W/AIO	160LM/W USA Cree LEDs (Cool White)	1 x 3.7v 26000mAh Lithium	20W Integrated Monocrystalline Silicon	65	2400 @ 1m

Features:

- Aluminium Alloy (Oxidation) Construction
- Integrated MPPT Smart Controller
- Approximately 6–8 hours Charging Time
- Integrated PIR Control
 - 30% Illumination operation, 100% Illumination for approx. 10 mins when the sensor is triggered
- All-In-One Construction
- Adjustable Spigot
- Strength & Durability Rating: IK10

2 Year Warranty!



Packaged Fitting Weight & Dimensions

W: 8.9kg

D: 67cm x 34cm x 16.5cm

Industrial Range

Street Lights

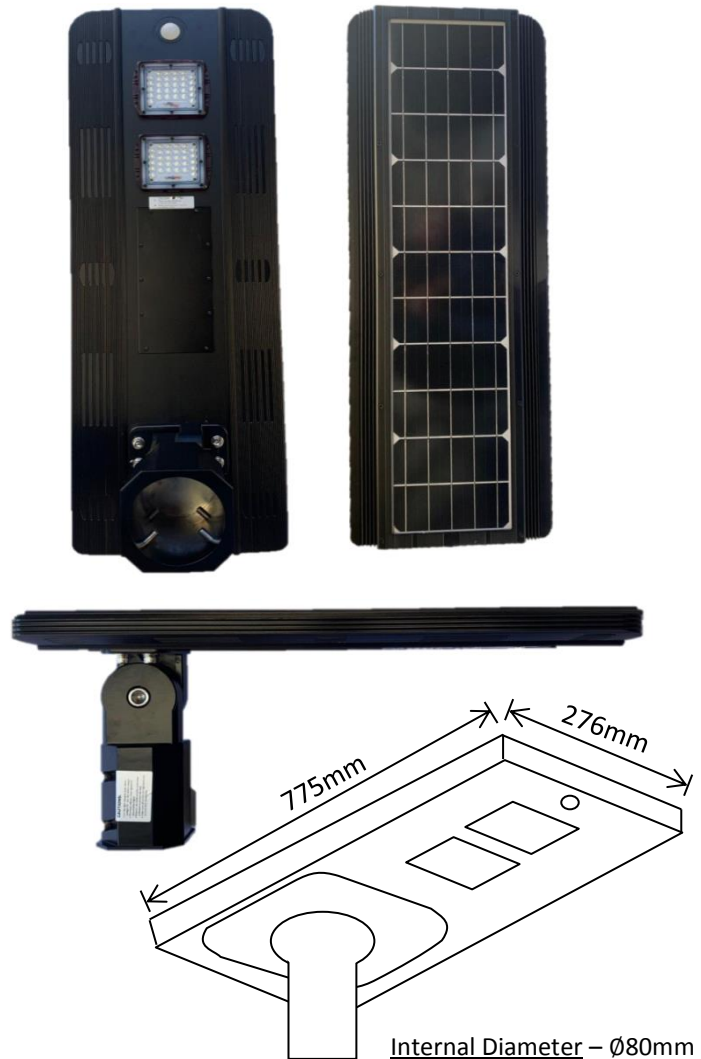
Street Light – “Shoe Box”

Product Code	LED's	Battery	Solar Panel	IP Rating	Lumens
SLDSTL-25W/AIO	160LM/W USA Cree LEDs (Cool White)	1 x 3.7v 39000mAh Lithium	30W Integrated Monocrystalline Silicon	65	4000 @ 1m

Features:

- Aluminium Alloy (Oxidation) Construction
- Integrated MPPT Smart Controller
- Approximately 6–8 hours Charging Time
- Integrated PIR Control
 - 30% Illumination operation, 100% Illumination for approx. 10 mins when the sensor is triggered
- All-In-One Construction
- Adjustable Spigot
- Strength & Durability Rating: IK10

2 Year Warranty!



Packaged Fitting Weight & Dimensions

W: 12.2kg

D: 92cm x 34.5cm x 17cm

Industrial Range

Street Lights

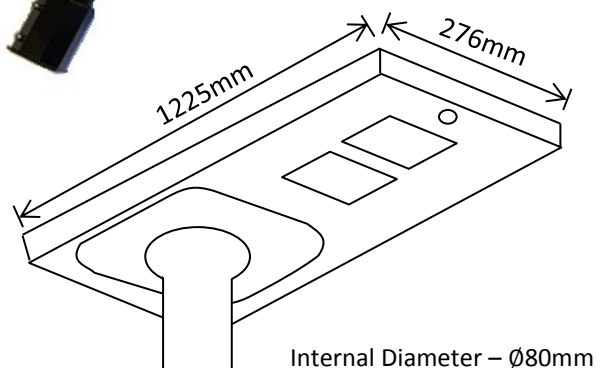
Street Light – “Shoe Box”

Product Code	LED's	Battery	Solar Panel	IP Rating	Lumens
SLDSTL-40W/AIO	160LM/W USA Cree LEDs (Cool White)	1 x 3.7v 46800mAh Lithium	48W Integrated Monocrystalline Silicon	65	6400 @ 1m

Features:

- Aluminium Alloy (Oxidation) Construction
- Integrated MPPT Smart Controller
- Approximately 6–8 hours Charging Time
- Integrated PIR Control
 - 30% Illumination operation, 100% Illumination for approx. 10 mins when the sensor is triggered
- All-In-One Construction
- Adjustable Spigot
- Strength & Durability Rating: IK10

2 Year Warranty!



Packaged Fitting Weight & Dimensions

W: 17.1kg

D: 131cm x 35cm x 20cm

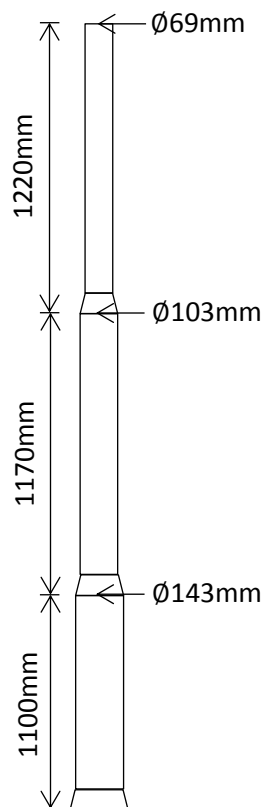
Sectional Aluminium Posts



SLDPOL-3.5

Features:

- Total 3.5m Length
- "Sectional" Construction
- Die-Cast Aluminium
- Lightweight
- Easy DIY
- Colour – Powder Coated Silver
- **Maximum load rating - 15kg**



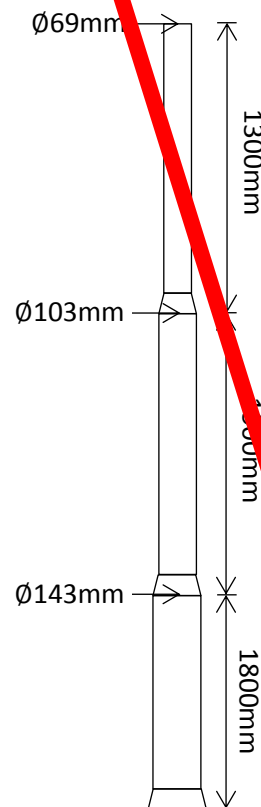
PACKAGE SIZE: 1.3m

Discontinued

SLDPOL-5.0

Features:

- Total 5m Length
- "Sectional" Construction
- Die Cast Aluminium
- Lightweight
- Easy DIY
- Colour – Powder Coated Silver
- **Maximum load rating - 15kg**

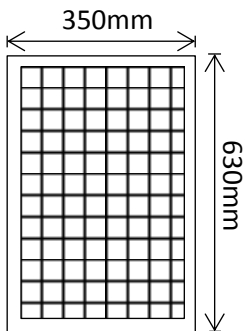


PACKAGE SIZE: 2.0m

Additional Information

Solar Panels

SLDSP30

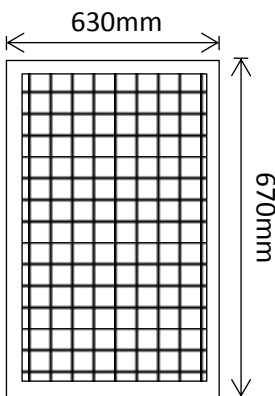


Specifications:

- Max power at STC (Pmax) - 30W
- Optimum operating voltage (Vmp) - 18.2V
- Optimum operating current (Imp) - 1.65A
- Open circuit voltage (Voc) - 22.2V
- Maximum series Fuse - 15A
- Weight - 2.8kg
- Application class - A class
- Operating Temperature : -40°C to +85°C
- Maximum System Voltage - 1000V DC



SLDSP60

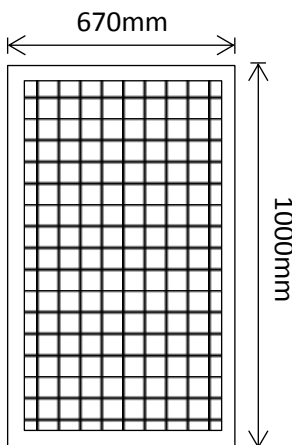


Specifications:

- Max power at STC (Pmax) - 60W
- Optimum operating voltage (Vmp) - 18.2V
- Optimum operating current (Imp) - 3.3A
- Open circuit voltage (Voc) - 22.2V
- Maximum series Fuse - 15A
- Weight - 4.7kg
- Application class - A class
- Operating Temperature : -40°C to +85°C
- Maximum System Voltage - 1000V DC



SLDSP100



Specifications:

- Max power at STC (Pmax) - 100W
- Optimum operating voltage (Vmp) - 18V
- Optimum operating current (Imp) - 5.56A
- Open circuit voltage (Voc) - 22V
- Maximum series Fuse - 15A
- Weight - 8kg
- Application class - A class
- Operating Temperature : -40°C to +85°C
- Maximum System Voltage - 1000V DC



SLDSP-P2PCON

"Y" connector to connect multiple Solar Panels together.

Additional Information

Why Us?

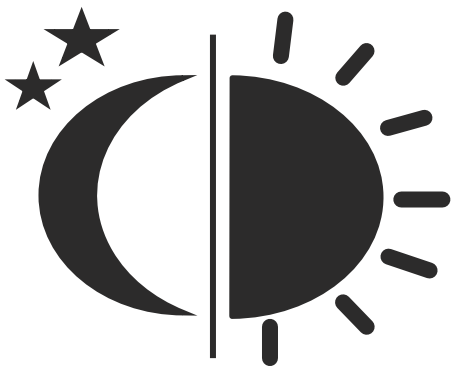


Photo Electric Cell & Day/Night “Smart Controller”

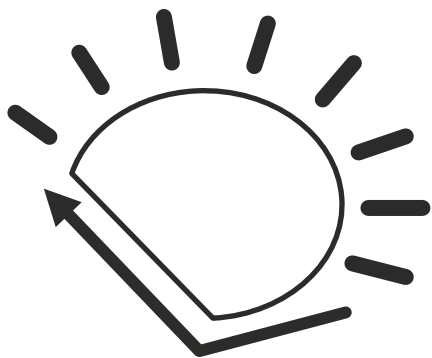
This means your lights will sense ambient light and automatically switch on at dusk and off at dawn. So your lights are always on when you need them, without having to manually turn them on and off.

The lights’ sensor can tell the difference between the setting of the sun and dark clouds forming overhead, so unlike other products, your lights won’t be switching on and off randomly during the day just because a cloud, plane or bird passed overhead.



Replacement Parts

We keep a full range of replacement and accessory components for all of our products at our Sydney warehouse. If over time any items wears out our ready stocks ensure quick turnaround for your replacements and repairs.



Protection against our Australian Sun

Our beloved Australian sun is both a blessing and a curse. Most non-metal component of **electronics left outside** for extended periods of time are often **destroyed by our Sun’s harsh UV**.

With our UV stabilised components, your solar lights will survive in our sun **year-in, year-out** without:

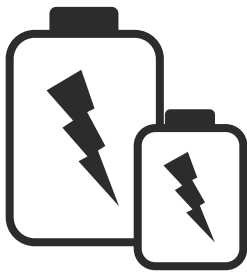
- ✗ FADING
- ✗ CRACKING
- ✗ CRUMBLING

This is especially important for the protective layers on the solar cells themselves, which in **lesser products** can go **“hazy”** and **limit the amount of light reaching the cells**

Additional Information

Battery Technology

NICKLE-CADMIUM BATTERIES

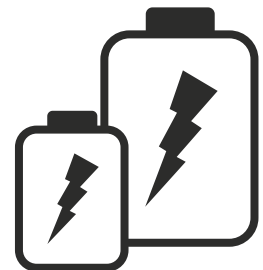


Many other manufacturers use older Nickel-Cadmium (Ni-Cd) technology batteries. These are far cheaper to produce, however are infamous for the dreaded “memory effect”. This means if the lights are only partially discharged before recharging, this “memory” stops the battery from being able to fully recharge therefore reducing future battery capacity. As a direct result, these batteries take more than twice as long to charge and have a much lower energy capacity.

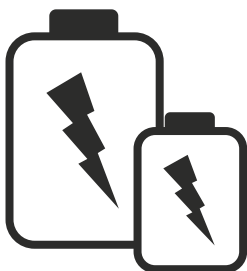
NICKLE-METAL HYDRIDE BATTERIES

Due to this significant “memory effect” Solar Lighting Direct lights use Nickel Metal Hydride (NiMH) Batteries, which give you:

- 1 Less “memory effect”
- 2 Quicker charge times
- 3 Longer lighting periods



LITHIUM LIFEPO4 BATTERIES



Moving forward our solar lights are being equipped with Lithium Batteries, which reduce the memory effect even further than NiMH, therefore these batteries offer you:

- 1 Virtually non-existent “memory effect”
- 2 The quickest charge times
- 3 The longest possible lighting periods



**Solar
Lighting
DIRECT**

PH: 1300 135 911

Website: www.solarlightingdirect.com.au

Email: sales@solarlightingdirect.com.au