

Up/Down Wall Light



19x SMD Warm
White LEDs
@0.2Wea



2x 2200mAh
Li-ion



2W Integrated
Polycrystalline



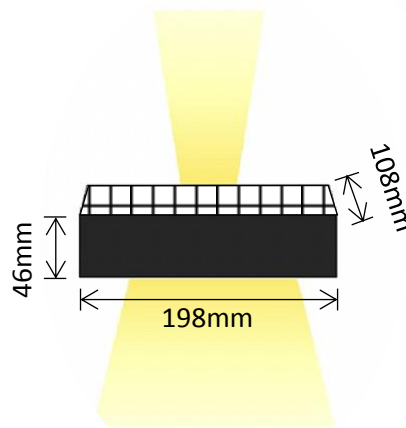
Dust & Water
Protection



Machined
Aluminium Body



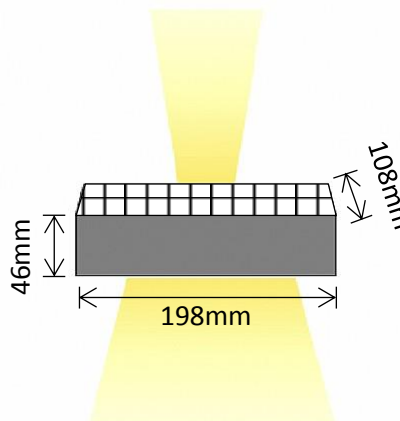
500 Lumens
at 1 metre



SLDWL228-3K/BLK

Features:

- Up and Down Lighting
- Built in Photo Electric Cell (Day/Night Sensor)
- On/Off Switch
- 10-12 hours Operation every day
- Glass Lampshade
- Black P.C. Finish
- **1 year Warranty!**



SLDWL228-3K/SIL

Features:

- Up and Down Lighting
- Built in Photo Electric Cell (Day/Night Sensor)
- On/Off Switch
- 10-12 hours Operation every day
- Glass Lampshade
- Silver P.C. Finish
- **1 year Warranty!**

