

Residential Range

Wall Lights

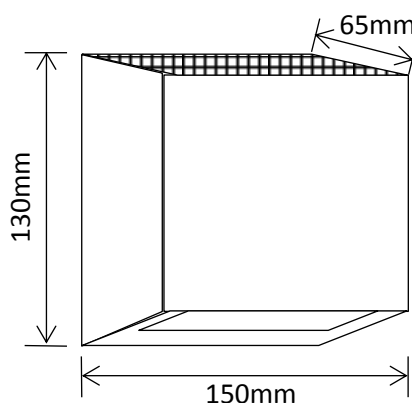
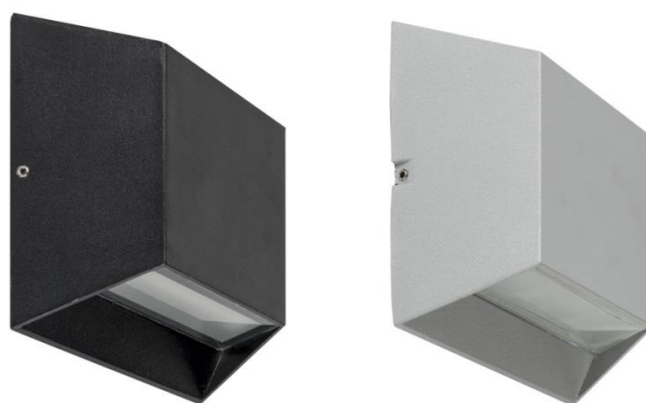
Wall Light

Product Code	LED's	Battery	Solar Panel	IP Rating	Lumens
SLDWL01/BLK	10 x LED @0.75W Warm White	1 x 3.7V 2.2Ah Lithium LiFePO4	0.8W Integrated Polycrystalline	65	60 @ 1m
SLDWL01/SIL	10 x LED @0.75W Warm White	1 x 3.7V 2.2Ah Lithium LiFePO4	0.8W Integrated Polycrystalline	65	60 @ 1m

Features:

- Built in Photo Electric Cell
- Die Cast Aluminium; Black P.C. or Silver P.C. Finish
- Approximately 10-12 hours Operation per day
- On/Off Switch

1 Year Warranty!



Packaged Fitting Weight & Dimensions

W: 0.6kg

D: 15cm x 15cm x 7cm