



# INSTRUCTION GUIDE

## Residential Wall Light

Model No. SLDWL01/BLK-WW, SLDWL01/SIL-WW

### PACKAGE CONTENTS

- 1 x Light Fitting
- 1 x Alan Key



### FEATURES

- Built in Photo Electric Cell (Day/Night Sensor)
- On/Off Switch
- 10-12 hours Operation per day
- Black/Silver P.C. Finish

### INSTALLATION METHOD

- Remove contents from packaging
- Locate desired wall for installation (insure your desired location will receive maximum direct sunlight throughout the day)

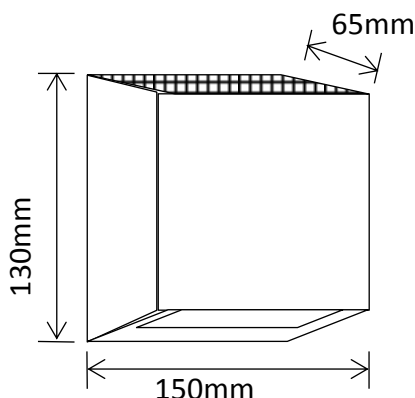
**Step 1.** Remove 2 grub screws to separate mounting plate from light

**Step 2.** Secure mounting plate to wall using appropriate fixing screws

**Step 3.** Secure light to mounting plate by re-installing grub screws

**Step 4.** Leave light switched "OFF" for 1-2 days

**Step 5.** Switch light "ON" and your light will illuminate when It becomes dark



### IMPORTANT NOTES

- Please ensure you place your Solar Panel in a location where it can achieve a minimum of 6HRS DIRECT SUNLIGHT**
- Be aware that on overcast/cloudy days, the solar panel will still charge. However, not as efficiently as a sunny day, so the battery may not reach full capacity. Therefore, your light may turn off earlier than specified.
- It's best not to install these lights underneath a street light, porch light etc. because this may stop the automatic day-night sensor triggering and result in your lights not turning on

### TROUBLE SHOOTING

Phenomenon	Cause	Inspection Method	Solution
Light won't turn on	Switch hasn't been turned on	Determine what position the switch is in	Turn the switch on
	Battery has run flat	Period of rainy or cloudy weather or installation site doesn't provide enough direct sunlight	Charge the light in direct sunlight for 1-2 days then check again
The light only stays on for a short amount of time	Low Battery	1. Bad installation site for the solar panel 2. Dust or leaves are covering the panel 3. Long period of overcast weather	1. Charge the battery in direct sunlight for 1-2 days with the switch off, then check again 2. Clean the solar panel
	Battery Failure	1. Access the light and & replace battery 2. Battery has matured	Contact SLD Customer Service to buy new batteries