



SLDWL0026-2.6W-PIR



12x SMD LED
(Cool White)
@ 0.2w each



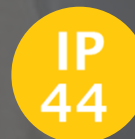
1x SMD LED
(Warm White)
@ 0.2w each



3x 800mAh
NiMH



0.6W Integrated
Polycrystalline



Dust & Water
Protection



Stainless Steel
Construction



350 Lumens
at 1 metre

SLDWL0027-2.6W-PIR



12x SMD LED
(Cool White)
@ 0.2w each



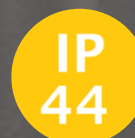
1x SMD LED
(Warm White)
@ 0.2w each



3x 1500mAh
NiMH



1W Integrated
Polycrystalline



Dust & Water
Protection



Stainless Steel
Construction



350 Lumens
at 1 metre

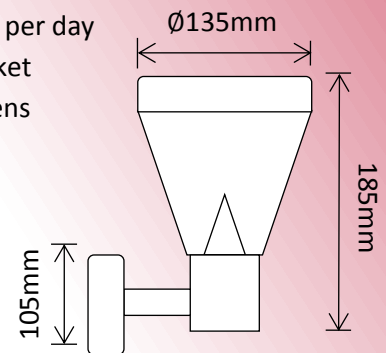
Modern Wall Light with Motion Sensor



SLDWL0026-2.6W-PIR

Features:

- Pyro-electric Infrared Sensor
- Built in Photo Electric Cell
- 1minute Sensor Run Time
- 6-8 hours Operation per day
- Wall Mounting Bracket
- UV-Stabilised PVC Lens
- **1 year Warranty!**



SLDWL0027-2.6W-PIR

Features:

- Pyro-electric Infrared Sensor
- Built in Photo Electric Cell
- 1minute Sensor Run Time
- 6-8 hours Operation per day
- Wall Mounting Bracket
- UV-Stabilised PVC Lens
- **1 year Warranty!**

