

Residential Range

Wall Lights

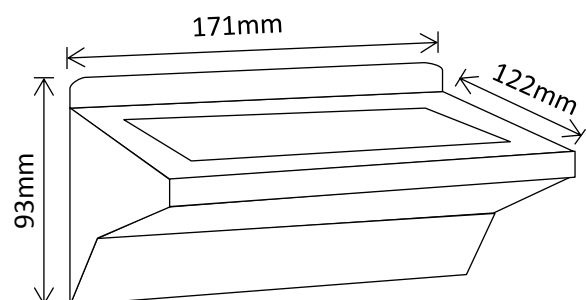
Flush Mount Wall Light

Product Code	LED's	Battery	Solar Panel	IP Rating	Lumens
SLDWL0022/ BLK	21 x LED @0.2W Warm White	1 x 3.7v 2200mAh Lithium	5V 2W Integrated Polycrystalline	44	200 @ 1m
SLDWL0022/ SS	21 x LED @0.2W Warm White	1 x 3.7v 2200mAh Lithium	5V 2W Integrated Polycrystalline	44	200 @ 1m

Features:

- Pyro-electric Infrared Sensor
- Black P.C. or Stainless Steel Finish
- Approximately 6-9 Hours Operation
- Flush Wall Mount Base
- 3 Operation Settings:
 - Brightness setting 1:** 40LM until sensor triggered then 150LM
 - Brightness setting 2:** Off until sensor triggered then 200LM
 - Brightness setting 3:** 30LM always on

1 Year Warranty!



Packaged Fitting Weight & Dimensions

W: 0.4kg

D: 17cm x 10cm x 12cm